



LFM550S Series

Application Note December 2024 V10

550W AC-DC Power Supply with PFC LFM550S Series APPLICATION NOTE



Approved By:

Department	Approved By	Checked By	Written By
Research and Development Department	Ovid	Calvin	Jeter
Design Quality Department	Benny	JoJo	



LFM550S Series

Application Note December 2024 V10

Content

1. INTRODUCTION	3
2. ELECTRICAL BLOCK DIAGRAM	3
3. MAIN FEATURES AND FUNCTIONS	4
3.1 <i>Operating Temperature Range</i>	4
3.2 <i>Output Protection (Over Current Protection)</i>	4
4. APPLICATIONS	4
4.1 <i>Test Set-Up</i>	4
4.2 <i>Output Ripple and Noise Measurement</i>	4
4.3 <i>Installation Instruction</i>	5
4.4 <i>External Baseplate Cooling</i>	6
4.5 <i>EMI Test</i>	6
4.6 <i>Mating Connectors</i>	6
5. PACKING INFORMATION	7



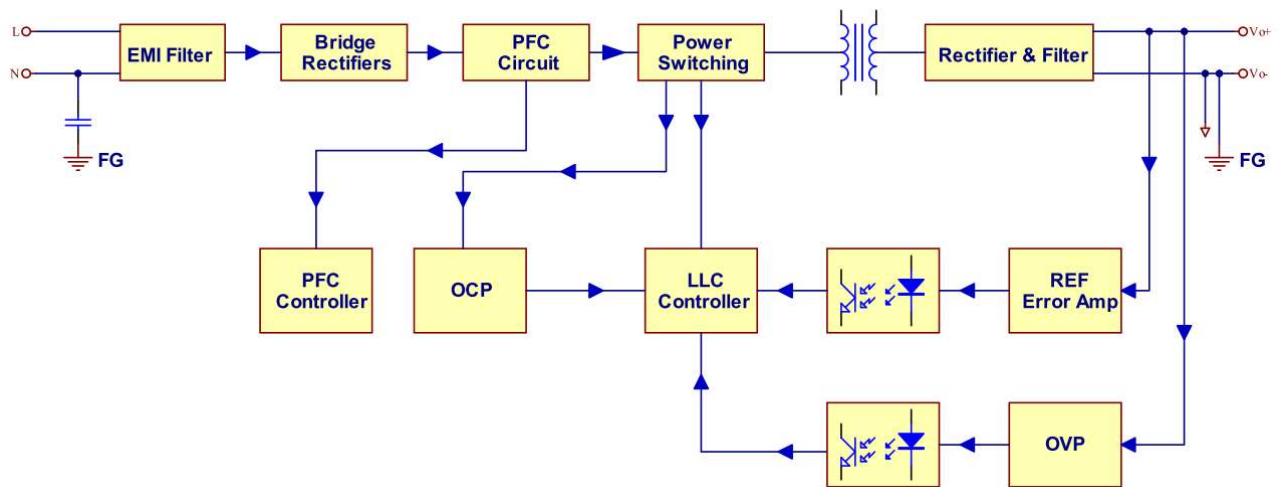
LFM550S Series

Application Note December 2024 V10

1. Introduction

This application note describes the features and functions of Cincon's LFM550S series power module. These are highly efficient, reliable, compact, high-power density, single output AC/DC power modules. The module is fully protected against short circuit and over-voltage conditions. Cincon's world class automated manufacturing methods, together with an extensive testing and qualification program, ensure that the LFM550S series power module is extremely reliable.

2. Electrical Block Diagram





LFM550S Series

Application Note December 2024 V10

3. Main Features and Functions

3.1 Operating Temperature Range

The highly efficient design of Cincon's LFM550S series power modules has resulted in their ability to operate within ambient temperature environments from -40°C to 80°C. Due consideration must be given to the de-rating curves when ascertaining the maximum power that can be drawn from the module. The maximum power which can be drawn is influenced by a number of factors, such as:

- Input voltage range
- Permissible output load (per derating curve)
- Effective heat sinks

3.2 Output Protection (Over Current Protection)

The power modules provide full continuous short-circuit protection. The unit will auto recover once the short circuit is removed. To provide protection in a fault condition, the unit is equipped with internal over-current protection. The unit will operate normally once the fault condition is removed. The power module will go to hiccup mode if the output current is set from 120% to 160% of rated current.

4. Applications

4.1 Test Set-Up

The basic test set-up to measure parameters such as efficiency and load regulation is shown in Figure 1. When testing the Cincon's LFM550S series under any transient conditions, please ensure that the transient response of the source is sufficient to power the equipment under test. We can calculate the

- Efficiency
- Load regulation and line regulation

The value of efficiency is defined as:

$$\eta = \frac{V_o \times I_o}{V_{in} \times I_{in}} \times 100\%$$

Where:

- V_o is output voltage,
- I_o is output current,
- V_{in} is input voltage,
- I_{in} is input current

The value of load regulation is defined as:

$$Load\ reg. = \frac{V_1 - V_2}{V_2} \times 100\%$$

Where:

V_1 is the output voltage at full load

V_2 is the output voltage at 10% load

The value of line regulation is defined as:

$$Line\ reg. = \frac{V_{HL} - V_{LL}}{V_{LL}} \times 100\%$$

Where:

V_{HL} is the output voltage of maximum input voltage at full load

V_{LL} is the output voltage of minimum input voltage at full load

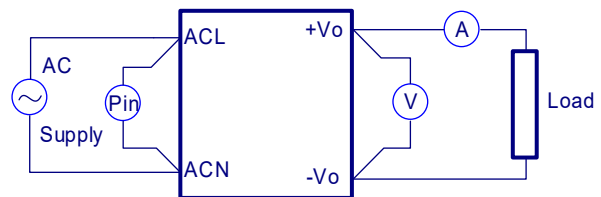


Figure 1. LFM550S Series Test Setup

4.2 Output Ripple and Noise Measurement

The test set-up for noise and ripple measurements is shown in Figure 2. Measured method:

Add a $C_2=0.1\mu F$ ceramic capacitor and a $C_1=10\mu F$ electrolytic capacitor to output at 20 MHz Band Width.

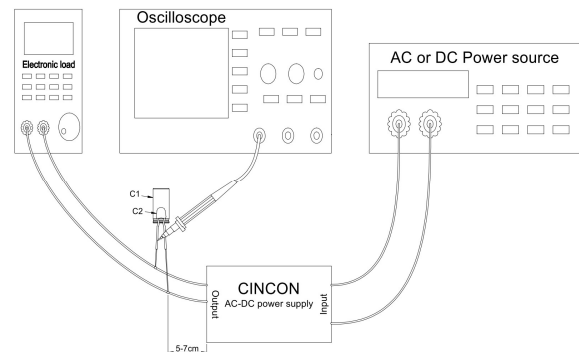


Figure 2. Output Voltage Ripple and Noise Measurement Set-Up

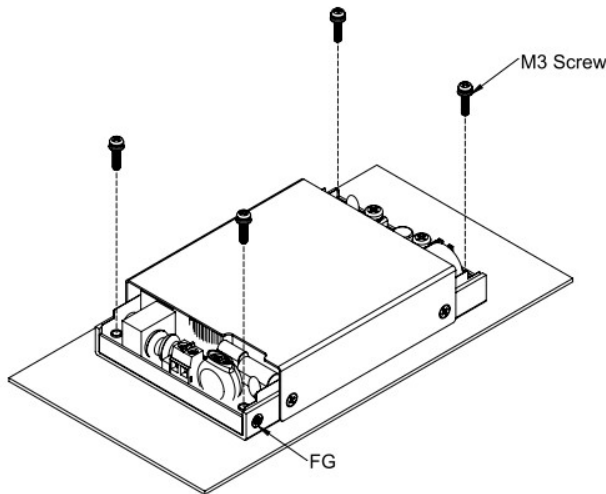


LFM550S Series

Application Note December 2024 V10

4.3 Installation Instruction

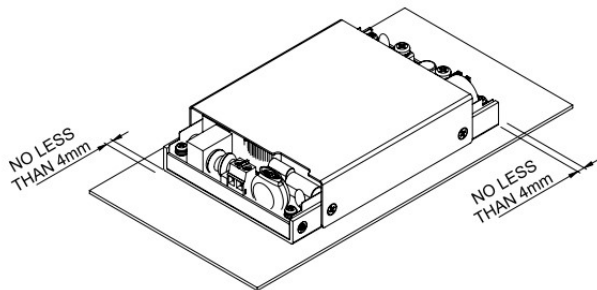
The LFM550S series provide the baseplate cooling for customer to increasing heat dissipation. Please refer to the following figure for installation.



LFM550SXXXC installation diagram

Note:

M3 screw head and washer diameter shall not exceed 5.5mm. M3 torque is 4 kgf-cm max. Please allow 4mm side clearance from the components and all side of the PCB. Allow 5mm clearance above the highest parts on the PCB. Be especially careful to allow 5mm between the solder side of the PCB and the mounting surface. If the clearances are not sufficient the specifications for isolation and withstand will not be valid.



LFM550SXXXC installation diagram

The LFM550S FG should be connected to the earth (ground) terminal of the apparatus for Figure 3 or can be used in the end-equipment connected to the earth (ground) terminal of the apparatus for Figure 4. If not the conducted noise and output noise will increase.

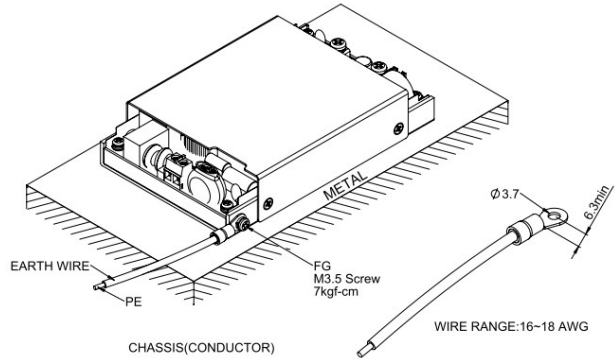


Figure 3

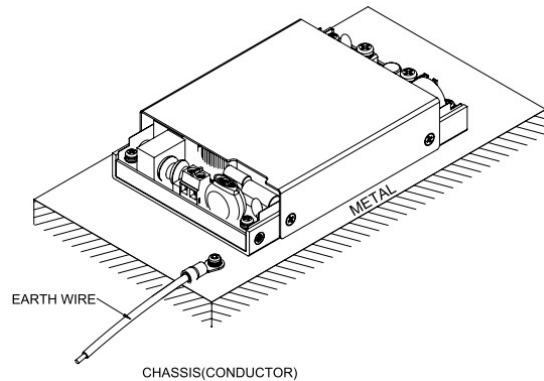


Figure 4

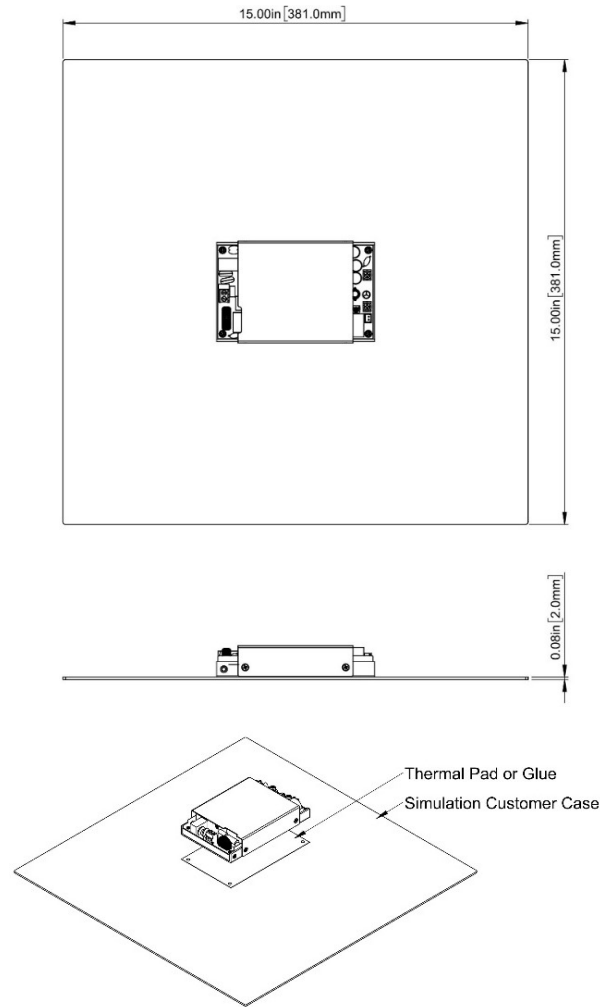


LFM550S Series

Application Note December 2024 V10

4.4 External Baseplate Cooling

The LFM550S series provide the baseplate cooling for customer to increasing heat dissipation. For example, adding a 381.0mm x 381.0mm x 2mm heatsink at the bottom of LFM550S, between the heatsink and LFM550S with thermal grease better than 0.83 W/m.K or thermal pad (PMP-P-400) to help heating ability. If customer choose the other heatsinks. LFM550S make sure of the heatsink $R_{ac} = 1.5^{\circ}\text{C}/\text{W}$ or better and T_c point under 90°C . Please refer to the following figure for installation. When the LFM550S series uses an external baseplate cooling solution, it can be used at 450W. Please refer to the power derating curve in the specification.



Thermal Pad: PMP-P-400 (P/N:G61236RC404)

4.5 EMI Test

The LFM550S series conductive EMI meets EN55032, FCC Part 15 Class B when test condition is Class I.

4.6 Mating Connectors



LFM550SXXXC installation diagram

AC Input Connector(CN1):ECE ETB22

Pin	Function	Mating Wire Range
1	ACL	14~16 AWG
2	ACN	

DC Output Connector(CN2):TKP 8822-02-NHB or equivalent

Pin	Function	Mating Housing	Terminal
1	Rs+	JST XHP-2 or equivalent	JST SXH-001T-P0.6N or equivalent
2	Rs-		

DC Output Connector:KANG YANG PCB-58M4

Function	The screw locked torque
+Vo	M4 7kgf-cm
-Vo	

Mounting Inserts

Series	Option
Blank	$\phi 3.2$ Through depth 10.5mm
-C0	M3x0.5 Threaded depth 10.5mm

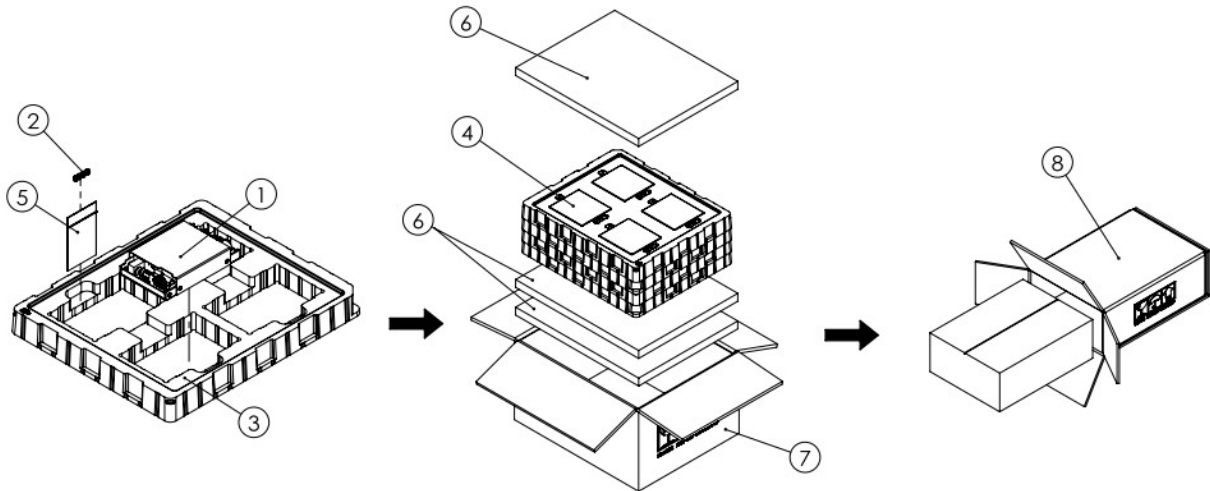


LFM550S Series

Application Note December 2024 V10

5. Packing Information

The packing information for LFM550SXXXC series is showing as follows:



ITEM	PART NO.	NAME	OUTSIDE DIM(mm)	PCS
1	-	LFM550SXXXC Product	129.4x83.5x25.4	16
2	G75V2200000	Screw	M3.5x0.6	16
3	G64G20154	Antistatic Plastic blister	338.4x283.4x34.2	4
4	G64G20161	Antistatic Plastic blister	340x285x35	4
5	GT4101	Zipper Bag	70x50x0.04	4
6	G64301087	Antistatic Foma	360x290x20	3
7	G64211308	No.114 Inner Cardboard Box	364x294x200	1
8	G64114293	No.114 Cardboard Box	400x320x225	1

Each Box Packaging 16 PCS Products
Gross weight Ref. 10.2 Kg

Headquarters:

14F, No.306, Sec.4, Hsin Yi Rd.
Taipei, Taiwan
Tel: 886-2-27086210
Fax: 886-2-27029852
E-mail: sales@cincon.com.tw
Web Site: <https://www.cincon.com>

CINCON ELECTRONICS CO., LTD.

Factory:

No. 8-1, Fu Kung Rd.
Fu Hsing Industrial Park
Fu Hsing Hsiang,
Chang Hua Hsien, Taiwan
Tel: 886-4-7690261
Fax: 886-4-7698031

Cincon North America:

1655 Mesa Verde Ave. Ste 180
Ventura, CA 93003
Tel: 805-639-3350
Fax: 805-639-4101
E-mail: info@cincon.com