



CQB75W14 Series Application Note V11

ISOLATED DC-DC CONVERTER CQB75W14 SERIES APPLICATION NOTE



Approved By:

Department	Approved By	Checked By	Written By
Research and Development Department	Jacky	Astray	Elsie
Design Quality Department	Benny	JoJo	



CQB75W14 Series Application Note V11

Contents

1. Introduction	3
2. Pin Function Description	3
3. Connection for Standard Use	4
4. Test Set-Up	4
5. Recommend Layout, PCB Footprint and Soldering Information.....	5
6. Features and Functions	5
6.1 UVLO (Under Voltage Lock Out)	5
6.2 Over Current/Short Circuit Protection	6
6.3 Output Over Voltage Protection	6
6.4 Over Temperature Protection.....	6
6.5 Remote On/Off	6
6.6 Output Remote Sensing.....	7
6.7 Output Voltage Adjustment	8
7. Input / Output Considerations	9
7.1 Input Capacitance at the Power Module	9
7.2 Hold Up Time	9
7.3 Output Ripple and Noise	10
7.4 Output Capacitance	10
8. Series and Parallel Operation	10
8.1 Series Operation	10
8.2 Parallel Operation	11
8.3 Redundant Operation.....	11
9. Thermal Design.....	12
9.1 Operating Temperature Range	12
9.2 Convection Requirements for Cooling	12
9.3 Thermal Considerations	12
9.4 Power Derating	12
9.5 Quarter Brick Heat Sinks.....	14
10. Safety & EMC	15
10.1 Input Fusing and Safety Considerations.....	15
10.2 EMC Considerations	15
10.3 Suggested Configuration for RIA12 Surge Test	23



CQB75W14 Series Application Note V11

1. Introduction

The CQB75W14 series of DC-DC converters offers 75 watts of output power @ single output voltages of 5, 12, 15, 24, 28, 54VDC with industry standard quarter-brick. It has a ultrawide (14:1) input voltage range of 12 to 160VDC (72VDC nominal) and 3000VAC reinforced isolation.

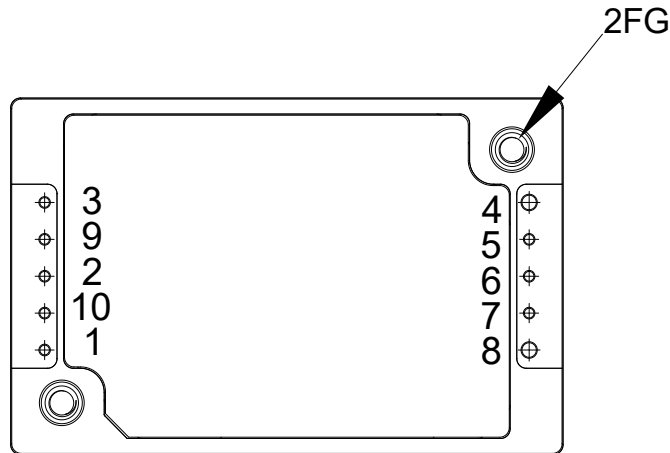
Compliant with EN50155, EN45545, EN50121-3-2. High efficiency up to 90%, allowing case operating temperature range of -40°C to 105°C. An optional heat sink is available to extend the full power range of the unit. Very low no load power consumption (20mA), an ideal solution for energy critical systems.

The standard control functions include remote on/off (positive or negative) and +15% to -20% (except for 54Vout +10% to -20%) adjustable output voltage.

Fully protected against input UVLO (under voltage lock out), output over-current, output over-voltage, over-temperature and continuous short circuit conditions.

CQB75W14 series is designed primarily for common railway applications of 24V, 36V, 48V, 72V, 96V, 110V nominal voltage and also suitable for distributed power architectures, telecommunications, battery operated equipment and industrial applications.

2. Pin Function Description



No	Label	Function	Description	Reference
1	+Vin	+V Input	Positive Supply Input	Section 7.1/7.2
2	ON/OFF	On/Off	External Remote On/Off Control	Section 6.5
3	-Vin	-V Input	Negative Supply Input	Section 7.1/7.2
4	-Vo	-V Output	Negative Power Output	Section 7.3/7.4
5	-Sen	-Sense	Negative Output Remote Sense	Section 6.6
6	Trim	Trim	External Output Voltage Adjustment	Section 6.7
7	+Sen	+Sense	Positive Output Remote Sense	Section 6.6
8	+Vo	+V Output	Positive Power Output	Section 7.3/7.4
9	Bus	Bus	Pre-Regulator Voltage Output (Option)	Section 7.2
10	UVLO	UVLO	External UVLO Function (Option)	Section 6.1
--	--	Mounting Insert	Mounting Insert (FG)	Section 9.5/10.2

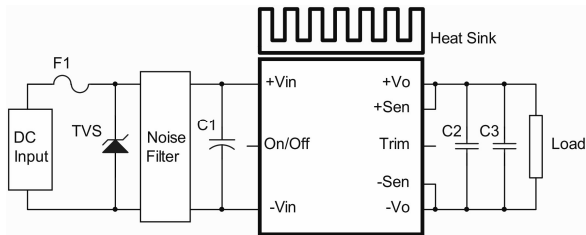
Note: Base plate can be connected to FG through M3 threaded mounting insert. Recommended torque 3-5Kgf-cm.



CQB75W14 Series Application Note V11

3. Connection for Standard Use

The connection for standard use is shown below. An external input capacitor (C1) 220uF for all models is recommended to reduce input ripple voltage. External output capacitors (C2, C3) are recommended to reduce output ripple and noise, 10uF polymer tantalum and 1uF ceramic capacitors for all models.



Symbol	Component	Reference
F1, TVS	Input fuse, TVS	Section 10.1
C1	External capacitor on the input side	Note Section 7.2
C2, C3	External capacitor on the output side	Section 7.3/7.4
Noise Filter	External input noise filter	Section 10.2
Remote On/Off	External Remote On/Off control	Section 6.5
Trim	External output voltage adjustment	Section 6.7
Heat sink	External heat sink	Section 9.2/9.3/9.4/9.5
+Sense/-Sense	--	Section 6.6

Note:

If the impedance of input line is high, C1 capacitance must be more than above. Use more than two recommended capacitors above in parallel when ambient temperature becomes lower than -20°C.

4. Test Set-Up

The basic test set-up to measure parameters such as efficiency and load regulation is shown below. When testing the modules under any transient conditions please ensure that the transient response of the source is sufficient to power the equipment under test. We can calculate:

- Efficiency
- Load regulation and line regulation

The value of efficiency is defined as:

$$\eta = \frac{V_o \times I_o}{V_{in} \times I_{in}} \times 100\%$$

Where:

V_o is output voltage,

I_o is output current,

V_{in} is input voltage,

I_{in} is input current.

The value of load regulation is defined as:

$$\text{Load reg.} = \frac{V_{FL} - V_{NL}}{V_{NL}} \times 100\%$$

Where:

V_{FL} is the output voltage at full load.

V_{NL} is the output voltage at no load.

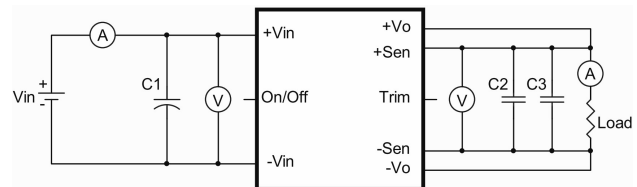
The value of line regulation is defined as:

$$\text{Line reg.} = \frac{V_{HL} - V_{LL}}{V_{LL}} \times 100\%$$

Where:

V_{HL} is the output voltage of maximum input voltage at full load.

V_{LL} is the output voltage of minimum input voltage at 80% full load.



CQB75W14 Series Test Setup

C1: 220uF/200V ESR<0.047Ω

C2: 1uF/1210 ceramic capacitor

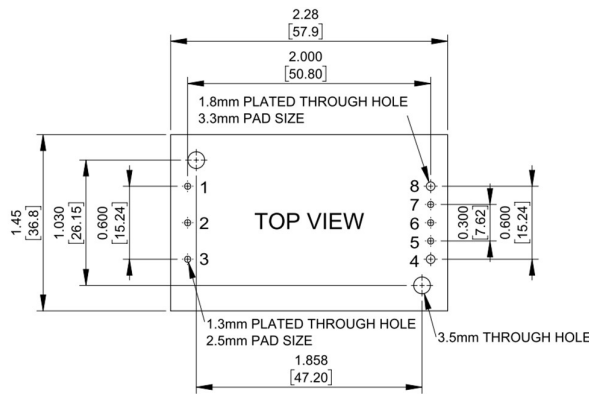
C3: 10uF polymer tantalum capacitor (ESR≤0.05Ω)



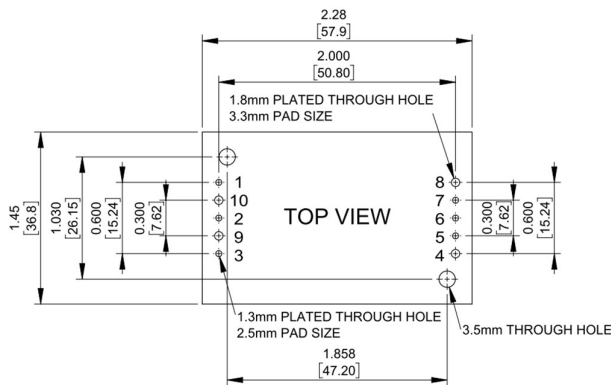
CQB75W14 Series Application Note V11

5. Recommend Layout, PCB Footprint and Soldering Information

The system designer or end user must ensure that metal and other components in the vicinity of the converter meet the spacing requirements for which the system is approved. Low resistance and inductance PCB layout traces are the norm and should be used where possible. Due consideration must also be given to proper low impedance tracks between power module, input and output grounds.



Standard Module

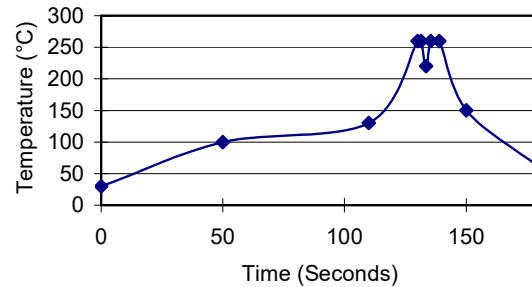


Option Module

Clean the soldered side of the module with a brush, prevent liquid from getting into the module. Do not clean by soaking the module into liquid. Do not allow solvent to come in contact with product labels or resin case as this may change the color of the resin case or cause deletion of the letters printed on the product label. After cleaning, dry the modules well.

The suggested soldering iron is 450°C for up to 5 seconds (less than 50W). Furthermore, the recommended soldering profile is shown below, and PCB layout is referring to Section 10.2.

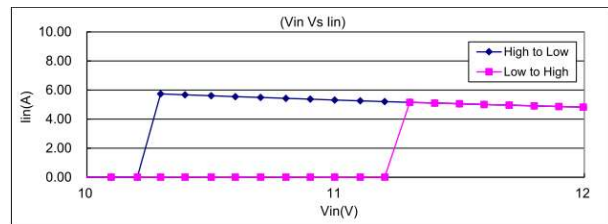
Lead Free Wave Soldering Profile



6. Features and Functions

6.1 UVLO (Under Voltage Lock Out)

Input under voltage lockout is standard on the CQB75W14 series unit. The unit will shut down when the input voltage drops below a threshold, and the unit will operate when the input voltage goes above the upper threshold.

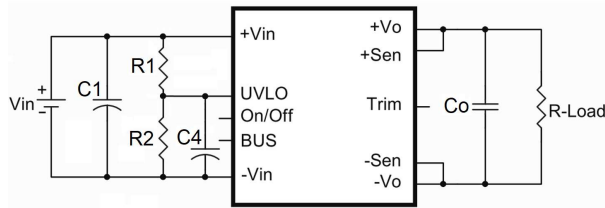


And the CQB75W14 series has an adjustable under voltage lockout which will shut down the converter according to following settings.

Nom. Input Voltage (VDC)	24	36	48	72	110
Turn Off Threshold (VDC)	13.8±0.75	20.8±0.75	28.0±1.0	42.5±1.5	53.0±3.0
Turn On Threshold (VDC)	14.8±0.75	21.8±0.75	29.0±1.0	43.5±1.5	54.0±3.0
R1 Resistor (KΩ) (UVLO to +Vin)	Open	Open	Open	Open	240
R2 Resistor (KΩ) (UVLO to -Vin)	18.84	6.1	3.64	2.0	1.18



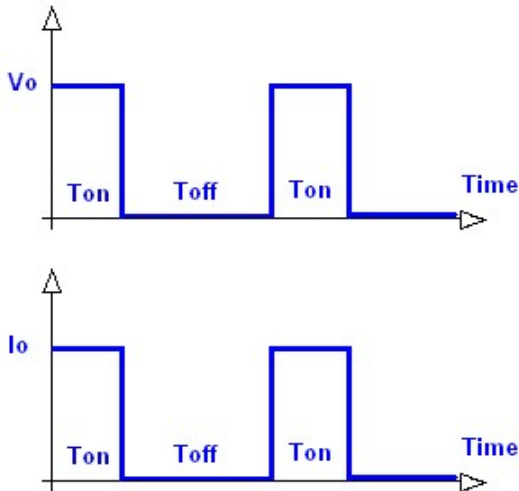
CQB75W14 Series Application Note V11



C1: 220uF/200V ESR<0.047Ω
C4: 0.01uF/50V ceramic capacitor

6.2 Over Current/Short Circuit Protection

All models have internal over current and continuous short circuit protection. The unit operates normally once the fault condition is removed. At the point of current limit inception, the converter will go into hiccup mode protection.



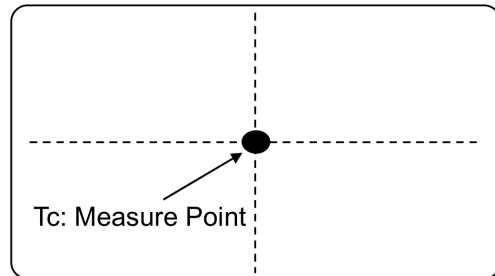
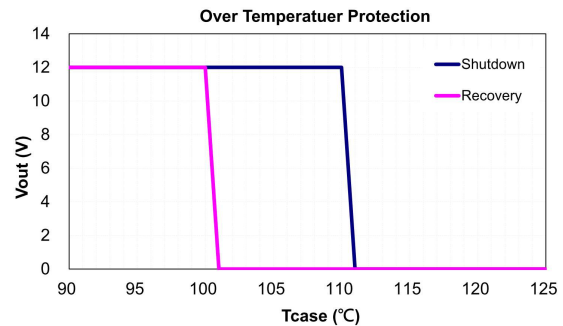
6.3 Output Over Voltage Protection

The output over voltage protection consists of circuitry that internally limits the output voltage. If more accurate output over voltage protection is required, then an external circuit can be used via the remote on/off pin.

Note: Please note that device inside the power supply might fail when voltage more than rate output voltage is applied to output pin. This could happen when the customer tests the over voltage protection of unit. OVP can be tested by using the TRIM UP function. Consult us for more information.

6.4 Over Temperature Protection

These modules have an over temperature protection circuit to safeguard against thermal damage. Shutdown occurs with the maximum case reference temperature is exceeded. The module will restart when the case temperature falls below over temperature recovery threshold. Please measure case temperature of the center part of aluminum base plate.



6.5 Remote On/Off

The CQB75W14 series allows the user to switch the module on and off electronically with the remote On/Off feature. All models are available in "positive logic" and "negative logic" (optional) versions. The converter turns on if the remote On/Off pin is high (>3.5Vdc to 160Vdc or open circuit). Setting the pin low (0 to <1.2Vdc) will turn the converter off. The signal level of the remote On/Off input is defined with respect to ground. If not using the remote On/Off pin, leave the pin open (converter will be on).

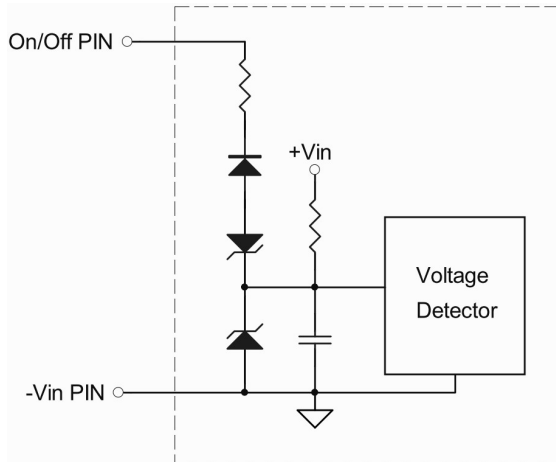
Models with part number suffix "N" are the "negative logic" remote On/Off version. The unit turns off if the remote On/Off pin is high (>3.5Vdc to 160Vdc or open circuit). The converter turns on if the On/Off pin input is low (0 to <1.2Vdc). Note that the converter is off by default.

Logic State (Pin 2)	Negative Logic	Positive Logic
Logic Low	Module on	Module off
Logic High	Module off	Module on

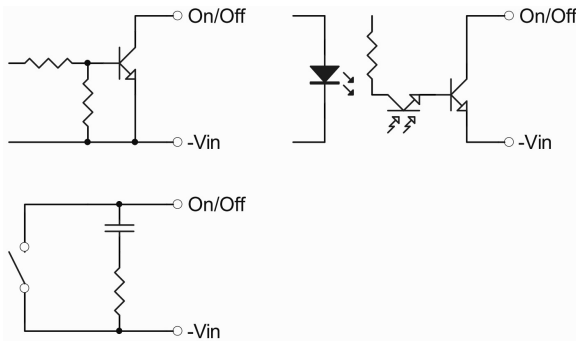


CQB75W14 Series Application Note V11

The converter remote On/Off circuit built-in on input side. The ground pin of input side Remote On/Off circuit is -Vin pin. Inside connection sees below.



Connection examples see below.



Remote On/Off Connection Example

6.6 Output Remote Sensing

The CQB75W14 series converter has the capability to remotely sense both lines of its output. This feature moves the effective output voltage regulation point from the output of the unit to the point of connection of the remote sense pins. This feature automatically adjusts the real output voltage of the CQB75W14 series in order to compensate for voltage drops in distribution and maintain a regulated voltage at the point of load. The remote-sense voltage range is:

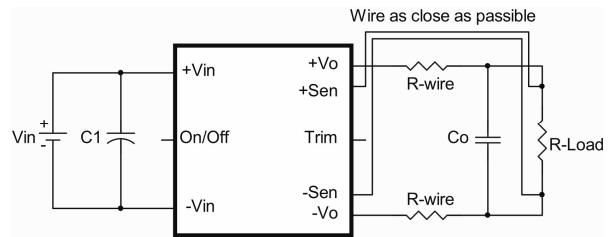
For $V_o=54V$

$$[(+V_{out}) - (-V_{out})] - [(+Sense) - (-Sense)] \leq 10\% \text{ of } V_{o_nominal}$$

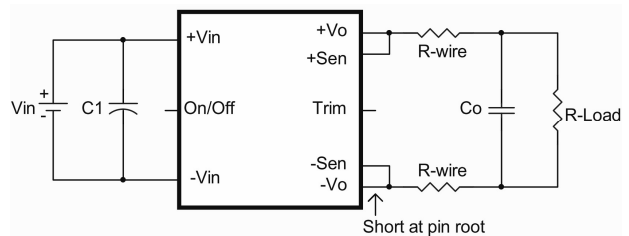
For Others

$$[(+V_{out}) - (-V_{out})] - [(+Sense) - (-Sense)] \leq 15\% \text{ of } V_{o_nominal}$$

When remote sense is in use, the sense should be connected by twisted-pair wire or shield wire. If the sensing patterns short, heavy current flows and the pattern may be damaged. Output voltage might become unstable because impedance of wiring and load condition when length of wire is exceeding 400mm. This is shown in the schematic below.



If the remote sense feature is not to be used, the sense pins should be connected locally. The +Sense pin should be connected to the +Vout pin at the module and the -Sense pin should be connected to the -Vout pin at the module. Wire between +Sense and +Vout and between -Sense and -Vout as short as possible. Loop wiring should be avoided. The converter might become unstable by noise coming from poor wiring. This is shown in the schematic below



Note:

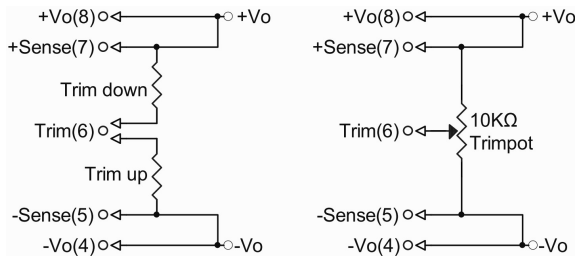
Although the output voltage can be varied (increased or decreased) by both remote sense and trim, the maximum variation for the output voltage is the larger of the two values not the sum of the values. The output power delivered by the module is defined as the voltage at the output terminals multiplied by the output current. Using remote sense and trim can cause the output voltage to increase and consequently increase the power output of the module if output current remains unchanged. Always ensure that the output power of the module remains at or below the maximum rated power. Also be aware that if V_{o_set} is below nominal value, $P_{out,max}$ will also decrease accordingly because $I_{o,max}$ is an absolute limit. Thus, $P_{out,max} = V_{o_set} \times I_{o,max}$ is also an absolute limit.



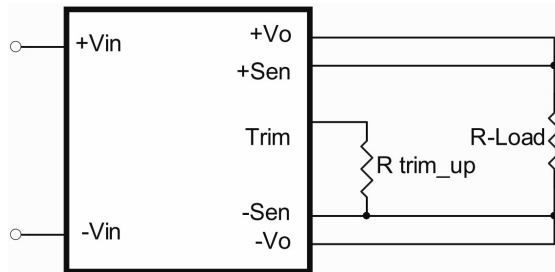
CQB75W14 Series Application Note V11

6.7 Output Voltage Adjustment

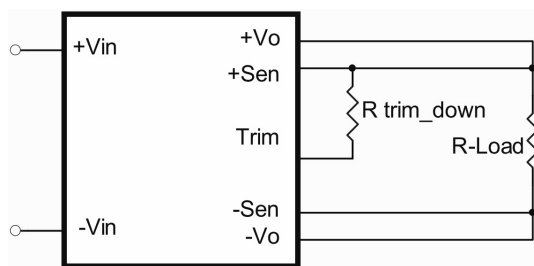
Output may be externally trimmed (+15% to -20%, except 54Vout is +10% to -20%) with a fixed resistor or an external trim pot as shown (optional). Model specific formulas for calculating trim resistors are available upon request as a separate document.



In order to trim the voltage up or down, one needs to connect the trim resistor either between the trim pin and -Sense for trim-up or between trim pin and +Sense for trim-down. The output voltage trim range is +15% to -20%, except 54Vout, it is +10% to -20%. This is shown:



Trim-up Voltage Setup



Trim-down Voltage Setup

The value of R_{trim_up} defined as:

$$R_{trim_up} = \left[\frac{V_r \times R1 \times (R2 + R3)}{R2 \times (V_o - V_{o,nom})} \right] - R_t \text{ (K}\Omega\text{)}$$

Where:

R_{trim_up} is the external resistor in $K\Omega$.

$V_{o,nom}$ is the nominal output voltage.

V_o is the desired output voltage.

$R1, R2, R3, R_t$ and V_r are internal to the unit and are defined in Table 1.

Table 1 – Trim up and Trim down Resistor Values

Model Number	Output Voltage(V)	R1 (K Ω)	R2 (K Ω)	R3 (K Ω)	Rt (K Ω)	Vr (V)
CQB75W14-72S05	5.0	6.2	2.37	1	8.2	1.24
CQB75W14-72S12	12.0	6.8	2.37	2.2	10	2.5
CQB75W14-72S15	15.0	9.1	2.32	2.49	12	2.5
CQB75W14-72S24	24.0	15	2.43	5.9	20	2.5
CQB75W14-72S28	28.0	15.4	2.49	10	23.2	2.5
CQB75W14-72S54	54.0	36	2.43	14	51	2.5

For example, to trim-up the output voltage of 12V module (CQB75W14-72S12) by 15% to 13.8V, R_{trim_up} is calculated as follows:

$$R1=6.8K\Omega, R2=2.37K\Omega, R3=2.2K\Omega, R_t=10K\Omega, Vr=2.5V, V_o=13.8V, V_{o,nom}=12V$$

$$R_{trim_up} =$$

$$\left[\frac{2.5 \times 6.8 \times (2.37 + 2.2)}{2.37 \times (13.8 - 12)} \right] - 10 = 8.2 \text{ (K}\Omega\text{)}$$

The typical value of R_{trim_up}

Trim up (%)	5V	12V	15V	24V	28V	54V
	R_{trim_up} (K Ω)			R_{trim_up} (K Ω)		
1%	210.44	263.17	302.45	515.62	666.51	1075
2%	101.12	126.59	145.22	247.81	321.65	512.44
3%	64.68	81.06	92.82	158.54	206.70	324.63
4%	46.46	58.29	66.61	113.91	149.23	230.72
5%	35.53	44.63	50.89	87.12	114.74	174.38
6%	28.24	35.53	40.41	69.27	91.75	136.81
7%	23.03	29.02	32.92	56.52	75.33	109.98
8%	19.13	24.15	27.31	46.95	63.01	89.86
9%	16.09	20.35	22.94	39.51	53.43	74.21
10%	13.66	17.32	19.44	33.56	45.77	61.69
11%	11.68	14.83	16.59	28.69	39.50	
12%	10.02	12.76	14.20	24.64	34.28	
13%	8.62	11.01	12.19	21.20	29.85	
14%	7.42	9.51	10.46	18.26	26.06	
15%	6.38	8.21	8.96	15.71	22.78	

The value of R_{trim_down} defined as:

$$R_{trim_down} =$$

$$R1 \times \left[\frac{V_r \times R1}{R2 \times (V_{o,nom} - V_o)} - 1 \right] - R_t \text{ (K}\Omega\text{)}$$

Where:

R_{trim_down} is the external resistor in $K\Omega$.

$V_{o,nom}$ is the nominal output voltage.

V_o is the desired output voltage.

$R1, R2, R3, R_t$ and V_r are internal to the unit and are defined in Table 1.



CQB75W14 Series Application Note V11

For example: to trim-down the output voltage of 12V module (CQB75W14-72S12) by 20% to 9.6V, R_{trim_down} is calculated as follows:

$$R1=6.8K\Omega, R2=2.37K\Omega, R3=2.2K\Omega, Rt=10K\Omega, Vr=2.5V, Vo=9.6V, Vo, nom=12V$$

$$R_{trim_down} = 6.8 \times \left[\frac{2.5 \times 6.8}{2.37 \times (12 - 9.6)} - 1 \right] - 10 = 3.52 (K\Omega)$$

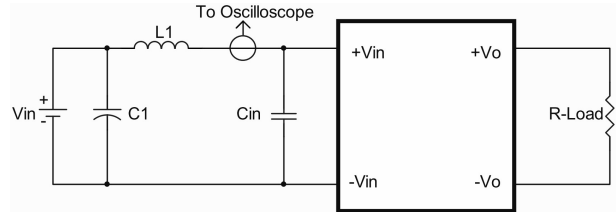
The typical value of R_{trim_down}

Trim down (%)	5V	12V	15V	24V	28V	54V
	$R_{trim_down} (K\Omega)$					
1%	387.84	389.67	573.80	929.51	811.80	2382.14
2%	186.72	186.43	276.35	447.25	386.60	1147.57
3%	119.68	118.69	177.20	286.50	244.87	736.05
4%	86.16	84.82	127.62	206.13	174.00	530.28
5%	66.05	64.49	97.88	157.90	131.48	406.83
6%	52.64	50.94	78.05	125.75	103.13	324.52
7%	43.06	41.27	63.89	102.79	82.89	265.73
8%	35.88	34.01	53.26	85.56	67.70	221.64
9%	30.29	28.36	45.00	72.17	55.89	187.35
10%	25.82	23.85	38.39	61.45	46.44	159.91
11%	22.17	20.15	32.98	52.68	38.71	137.47
12%	19.12	17.07	28.47	45.38	32.27	118.76
13%	16.54	14.47	24.66	39.19	26.82	102.93
14%	14.33	12.23	21.39	33.89	22.14	89.37
15%	12.42	10.30	18.56	29.30	18.09	77.61
16%	10.74	8.60	16.08	25.28	14.55	67.32
17%	9.26	7.11	13.89	21.74	11.42	58.24
18%	7.95	5.78	11.95	18.58	8.64	50.17
19%	6.77	4.59	10.21	15.76	6.16	42.95
20%	5.71	3.52	8.64	13.23	3.92	36.46

7. Input / Output Considerations

7.1 Input Capacitance at the Power Module

The converters must be connected to low AC source impedance. To avoid problems with loop stability source inductance should be low. Also, the input capacitors (C_{in}) should be placed close to the converter input pins to de-couple distribution inductance. However, the external input capacitors are chosen for suitable ripple handling capability. Low ESR capacitors are good choice. Circuit as shown as below represents typical measurement methods for reflected ripple current. $C1$ and $L1$ simulate a typical DC source impedance. The input reflected-ripple current is measured by current probe to oscilloscope with a simulated source Inductance ($L1$).

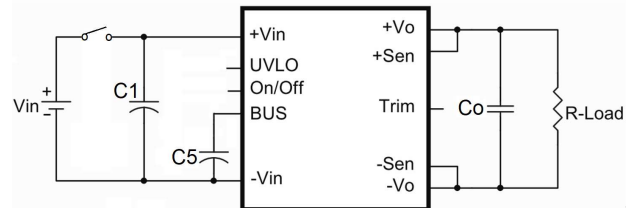


$L1$: 12uH
 $C1$: 220uF/200V ESR<0.047Ω
 C_{in} : 220uF/200V ESR<0.047Ω

7.2 Hold Up Time

Hold up time is defined as the duration of time that the DC/DC converter output will remain active following a loss of input power. The BUS pin is for hold up time function. It is designed to work with an external circuit comprises $C5$. When input power supply is interrupt, the CQB75W14-72S series use the energy stored in $C5$ to support operation.

A typical configuration shows as below.



$C1$: 220uF/200V ESR<0.047Ω

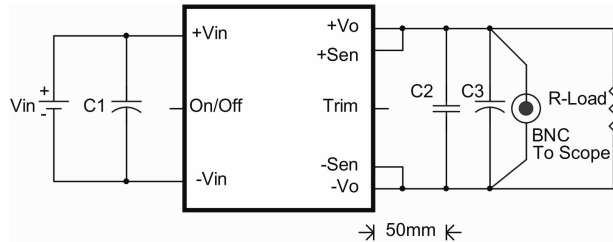
If hold up time function is not needed, please remove the component($C5$). This function provides energy that maintains the DC-DC converter in operation for 10mS and 30mS hold up time. The capacity ($C1$ & $C5$) in the application is recommended as below.

V_{in}		24V	36V	48V	72V	96V	110V
		$C1/C5$					
For 10 mS	$C1$	220uF					
	$C5$	10000uF	8200uF	8200uF	5400uF	3800uF	3800uF
For 30 mS	$C1$	220uF					
	$C5$	24000uF	16000uF	16000uF	16800uF	13300uF	12200uF



CQB75W14 Series Application Note V11

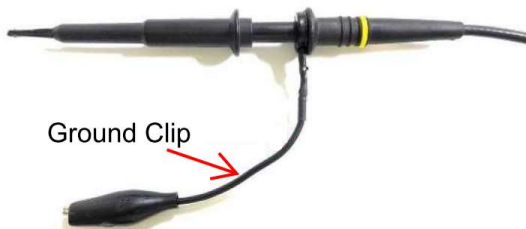
7.3 Output Ripple and Noise



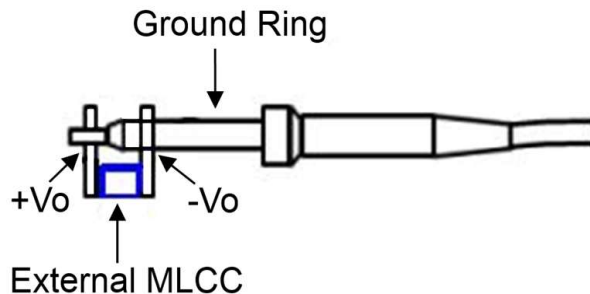
- C1: 220uF/200V ESR<0.047Ω
- C2: 1uF/1210 ceramic capacitor
- C3: 10uF polymer tantalum capacitor (ESR ≤ 0.05Ω)

Output ripple and noise measured with 10uF polymer tantalum capacitor and 1uF ceramic capacitors across output. A 20 MHz bandwidth oscilloscope is normally used for the measurement.

The conventional ground clip on an oscilloscope probe should never be used in this kind of measurement. This clip, when placed in a field of radiated high frequency energy, acts as an antenna or inductive pickup loop, creating an extraneous voltage that is not part of the output noise of the converter.



Another method is shown in below, in case of coaxial-cable/BNC is not available. The noise pickup is eliminated by pressing scope probe ground ring directly against the -Vout terminal while the tip contacts the +Vout terminal. This makes the shortest possible connection across the output terminals.



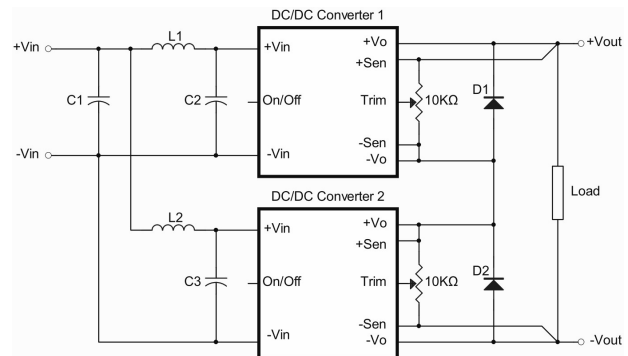
7.4 Output Capacitance

The CQB75W14 series converters provide unconditional stability with or without external capacitors. For good transient response, low ESR output capacitors should be located close to the point of load (<100mm). PCB design emphasizes low resistance and inductance tracks in consideration of high current applications. Output capacitors with their associated ESR values have an impact on loop stability and bandwidth. Cincon's converters are designed to work with load capacitance to see specifications.

8. Series and Parallel Operation

8.1 Series Operation

Series operation is possible by connecting the outputs two or more units. Connection is shown in below. The output current in series connection should be lower than the lowest rate current in each power module.



Simple Series Operation Connect Circuit

- L1, L2: 1.0uH
- C1, C2, C3: 220uF/200V ESR<0.047Ω

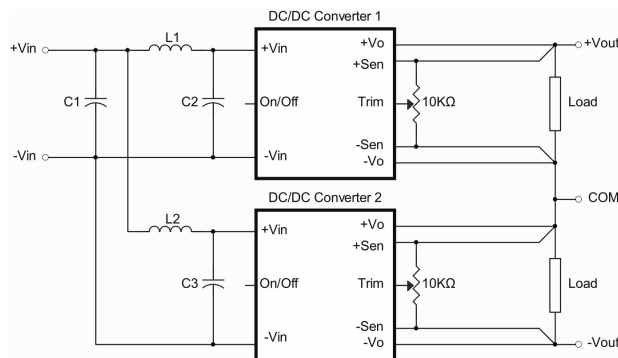


CQB75W14 Series Application Note V11

Note:

1. If the impedance of input line is high, C1, C2, C3 capacitance must be more than above. Use more than two recommended capacitor above in parallel when ambient temperature becomes lower than -20°C.
2. Recommend Schottky diode (D1, D2) be connected across the output of each series connected converter, so that if one converter shuts down for any reason, then the output stage won't be thermally overstressed. Without this external diode, the output stage of the shut-down converter could carry the load current provided by the other series converters, with its MOSFETs conducting through the body diodes. The MOSFETs could then be overstressed and fail. The external diode should be capable of handling the full load current for as long as the application is expected to run with any unit shut down.

Series for \pm output operation is possible by connecting the outputs two units, as shown in the schematic below.



Simple \pm Output Operation Connect Circuit

L1, L2: 1.0uH

C1, C2, C3: 220uF/200V ESR<0.047Ω

Note:

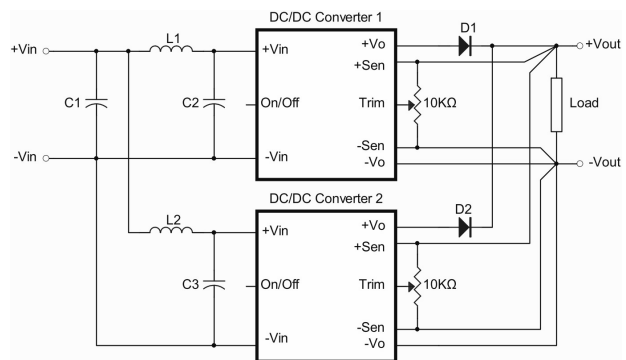
If the impedance of input line is high, C1, C2, C3 capacitance must be more than above. Use more than two recommended capacitor above in parallel when ambient temperature becomes lower than -20°C.

8.2 Parallel Operation

The CQB75W14 series parallel operation is not possible.

8.3 Redundant Operation

Parallel for redundancy operation is possible by connecting the units as shown in the schematic below. The current of each converter become unbalance by a slight difference of the output voltage. Make sure that the output voltage of units of equal value and the output current from each power supply does not exceed the rate current. Suggest use an external potentiometer to adjust output voltage from each power supply.



Simple Redundant Operation Connect Circuit

L1, L2: 1.0uH

C1, C2, C3: 220uF/200V ESR<0.047Ω

Note:

If the impedance of input line is high, C1, C2, C3 capacitance must be more than above. Use more than two recommended capacitor above in parallel when ambient temperature becomes lower than -20°C.



CQB75W14 Series Application Note V11

9. Thermal Design

9.1 Operating Temperature Range

The CQB75W14 series converters can be operated within a wide case temperature range of -40°C to 105°C. Consideration must be given to the derating curves when ascertaining maximum power that can be drawn from the converter. The maximum power drawn from open quarter brick models is influenced by usual factors, such as:

- Input voltage range
- Output load current
- Forced air or natural convection
- Heat sink optional

9.2 Convection Requirements for Cooling

To predict the approximate cooling needed for the quarter brick module, refer to the power derating curves in **section 9.4**. These derating curves are approximations of the ambient temperatures and airflows required to keep the power module temperature below its maximum rating. Once the module is assembled in the actual system, the module's temperature should be monitored to ensure it does not exceed 105°C as measured at the center of the top of the case (thus verifying proper cooling).

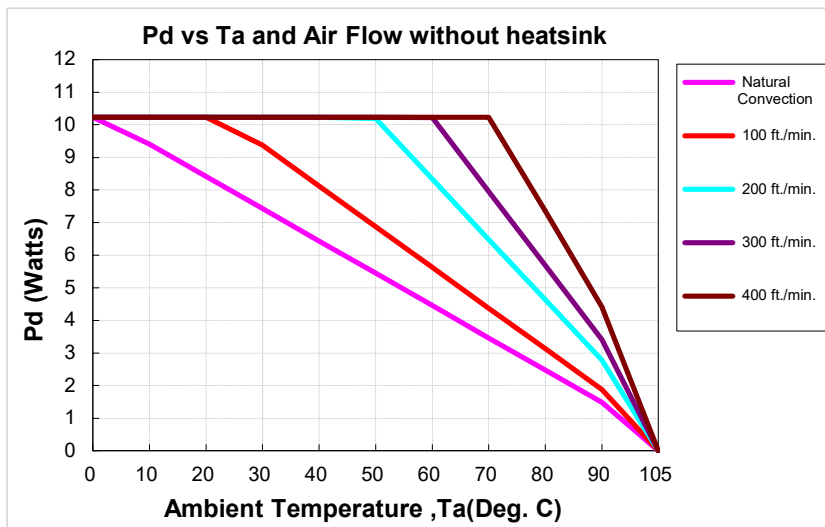
9.3 Thermal Considerations

The power module operates in a variety of thermal environments; however, sufficient cooling should be provided to help ensure reliable operation of the unit. Heat is removed by conduction, convection, and radiation to the surrounding environment. The example is presented in **section 9.4**. The power output of the module should not be allowed to exceed rated power ($V_{o_set} \times I_{o_max}$).

9.4 Power Derating

The operating case temperature range of CQB75W14 series is -40°C to +105°C. When operating the CQB75W14 series, proper derating or cooling is needed. The maximum case temperature under any operating condition should not exceed 105°C.

The following curve is the de-rating curve of CQB75W14 series without heat sink.



AIR FLOW RATE	TYPICAL R_{ca}
Natural Convection	10.1°C/W
20ft./min. (0.1m/s)	
100 ft./min. (0.5m/s)	8.0°C/W
200 ft./min. (1.0m/s)	5.4°C/W
300 ft./min. (1.5m/s)	4.4°C/W
400 ft./min. (2.0m/s)	3.4°C/W



CQB75W14 Series Application Note V11

Example:

What is the minimum airflow necessary for a CQB75W14-72S12 operating at nominal line voltage, an output current of 6.25A, and a maximum ambient temperature of 65°C?

Solution:

Given: $V_{in}= 72V_{dc}$, $V_o= 12V_{dc}$, $I_o= 6.25A$

Determine Power dissipation (P_d): $P_d= P_i-P_o= P_o(1-\eta)/\eta$, $P_d= 12 \times 6.25 \times (1-0.88)/0.88= 10.23Watts$

Determine airflow: Given: $P_d= 10.23W$ and $T_a= 65^\circ C$

Check Power Derating curve: Minimum airflow= 400 ft./min.

Verify:

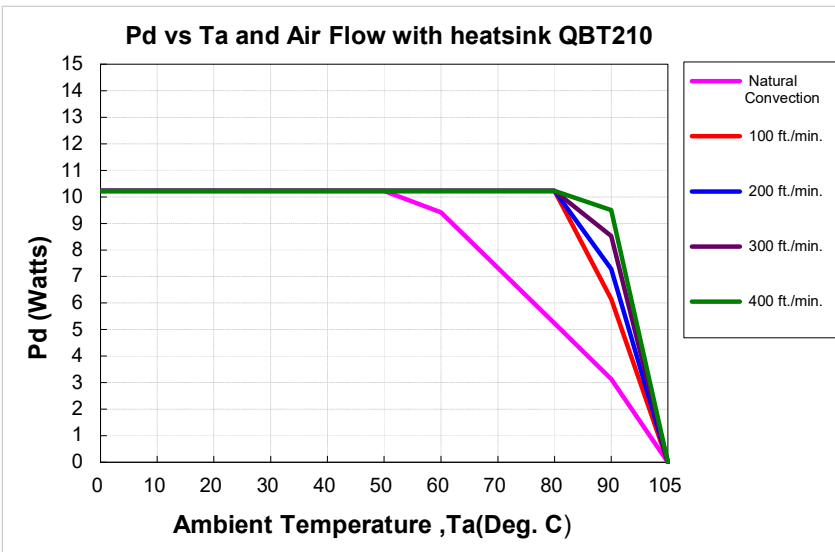
Maximum temperature rise is $\Delta T= P_d \times R_{ca} = 10.23 \times 3.4= 46.172^\circ C$

Maximum case temperature is $T_c = T_a + \Delta T= 99.782^\circ C < 105^\circ C$

Where:

The R_{ca} is thermal resistance from case to ambient environment.

T_a is ambient temperature and T_c is case temperature.



AIR FLOW RATE	TYPICAL R_{ca}
Natural Convection 20ft./min. (0.1m/s)	4.78°C/W
100 ft./min. (0.5m/s)	2.44°C/W
200 ft./min. (1.0m/s)	2.06°C/W
300 ft./min. (1.5m/s)	1.76°C/W
400 ft./min. (2.0m/s)	1.58°C/W

Example with heat sink QBT210 (M-C421):

What is the minimum airflow necessary for a CQB75W14-72S12 operating at nominal line voltage, an output current of 6.25A, and a maximum ambient temperature of 75°C?

Solution:

Given: $V_{in}= 72V_{dc}$, $V_o= 12V_{dc}$, $I_o= 6.25A$

Determine Power dissipation (P_d): $P_d= P_i-P_o= P_o(1-\eta)/\eta$, $P_d= 12 \times 6.25 \times (1-0.88)/0.88= 10.23Watts$

Determine airflow: Given: $P_d= 10.23W$ and $T_a = 75^\circ C$

Check above Power de-rating curve: Minimum airflow= 100 ft./min

Verify:

Maximum temperature rise is $\Delta T= P_d \times R_{ca}= 10.23 \times 2.44= 33.14^\circ C$

Maximum case temperature is $T_c= T_a + \Delta T= 99.9612^\circ C < 105^\circ C$

Where:

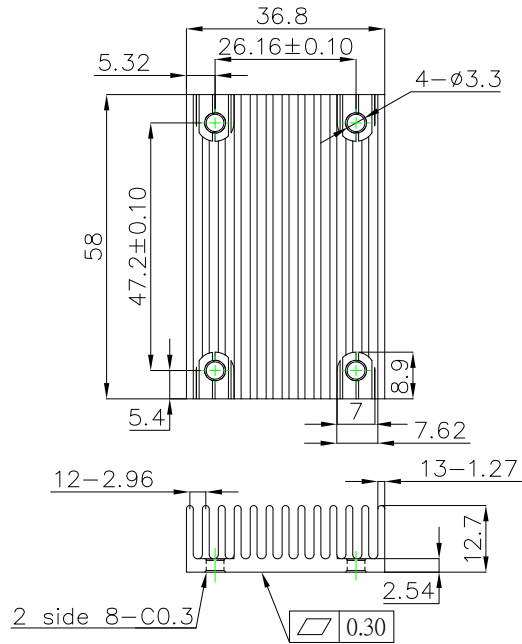
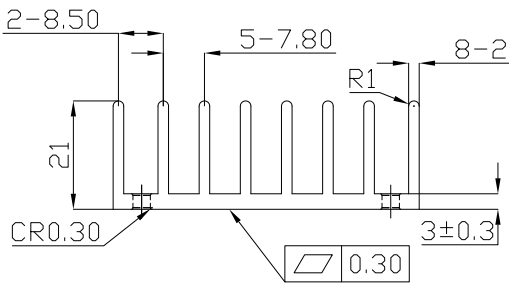
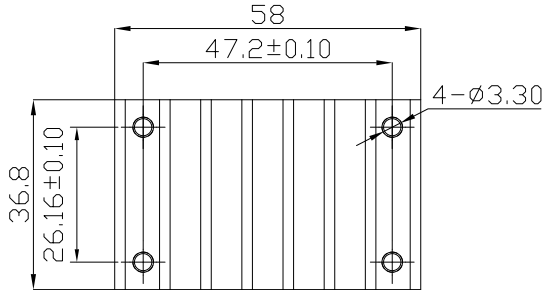
The R_{ca} is thermal resistance from case to ambient environment.

T_a is ambient temperature and T_c is case temperature.



CQB75W14 Series Application Note V11

9.5 Quarter Brick Heat Sinks



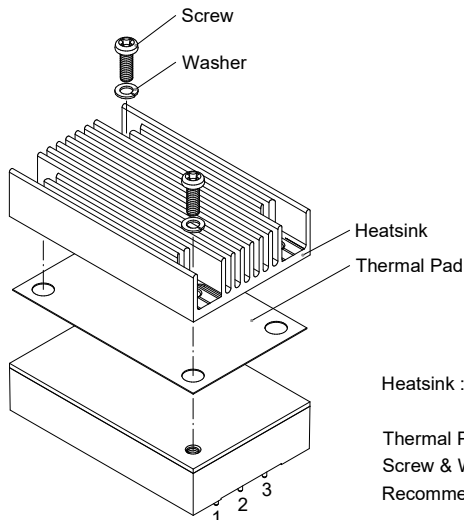
All Dimensions in mm

QBT210 (M-C421) G6620510201 Transverse Heat Sink

- Rca: 4.78°C/W (typ.), At natural convection
- 2.44°C/W (typ.), At 100LFM
- 2.06°C/W (typ.), At 200LFM
- 1.76°C/W (typ.), At 300LFM
- 1.58°C/W (typ.), At 400LFM

QBL127 (M-C448) G6620570202 Longitudinal Heat Sink

- Rca: 5.61°C/W (typ.), At natural convection
- 4.01°C/W (typ.), At 100LFM
- 3.39°C/W (typ.), At 200LFM
- 2.86°C/W (typ.), At 300LFM
- 2.49°C/W (typ.), At 400LFM



Heatsink : QBL127 (M-C448)
QBT210 (M-C421)
Thermal Pad PQ01: SZ35.8x56.9x0.25mm
Screw & Washer K308W: M3x8L & WS3.2N
Recommended torque 3-5 Kgf-cm

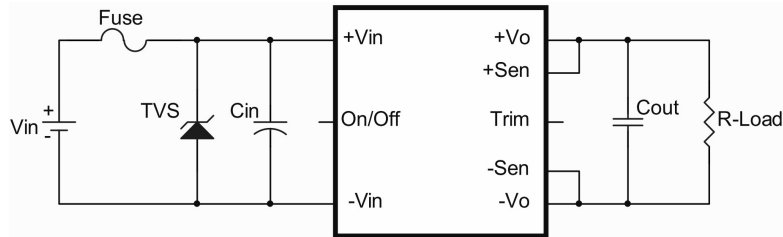


CQB75W14 Series Application Note V11

10. Safety & EMC

10.1 Input Fusing and Safety Considerations

The CQB75W14 series converters have no internal fuse. In order to achieve maximum safety and system protection, always use an input line fuse. We recommended a 12A time delay fuse for all models. It is recommended that the circuit have a transient voltage suppressor diode (TVS) across the input terminal to protect the unit against surge or spike voltage and input reverse voltage (as shown).



The external input capacitor (Cin) and transient voltage suppressor diode (TVS) are required if CQB75W14 series has to meet EN61000-4-4, EN61000-4-5. The Cin recommended a 220uF/200V (Nippon Chemi-Con KY series) aluminum capacitor. And the TVS recommended a SMCJ180A transient voltage suppressor.

10.2 EMC Considerations

EMI Test standard: EN55032 Class A / EN50121-3-2:2016 Conducted & Radiated Emission
Test Condition: Input Voltage: 110Vdc, Output Load: Full Load

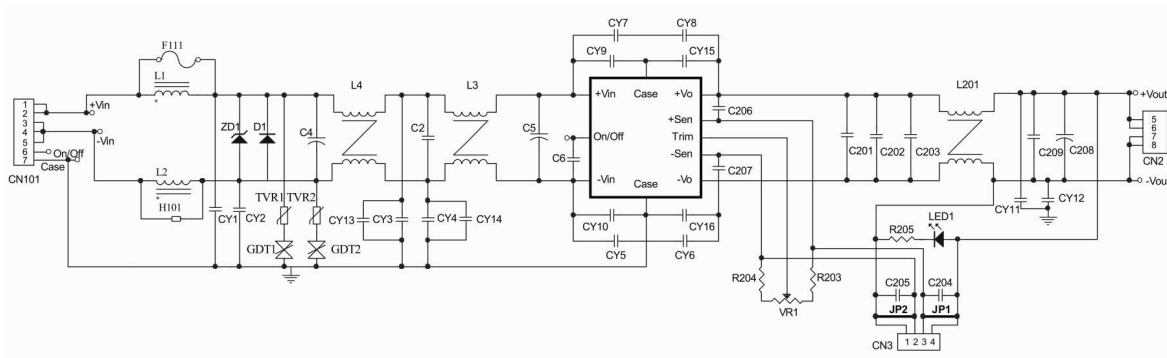


Figure1 Connection Circuit

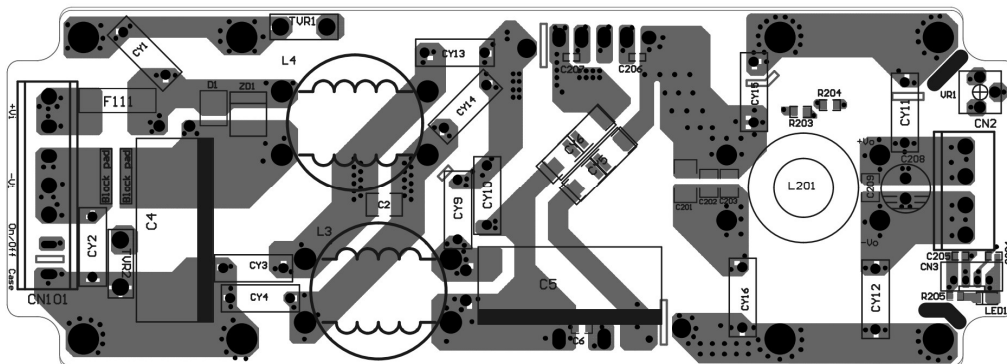


Figure2 PCB Layout Top View



CQB75W14 Series Application Note V11

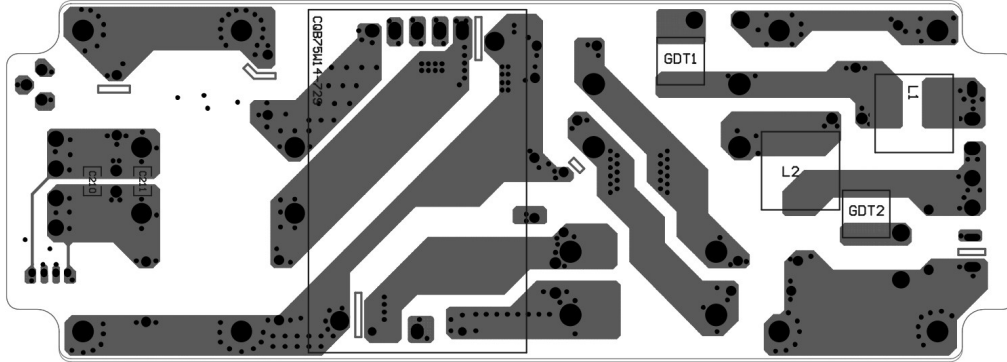


Figure3 PCB layout Bottom View

Components value:

Model Name	Model Number					
	72S05	72S12	72S15	72S24	72S28	72S54
C2	1uF/250V SMD					
C4, C5	150uF/200V, Aluminum cap. KXJ series					
C6	4700pF/250V					
C201	47uF/10V SMD	22uF/25V SMD		6.8uF/50V SMD		4.7uF/100V SMD
C202, C203, C209	47uF/16V SMD	10uF/25V SMD		10uF/50V SMD		10uF/100V SMD
CY1	100pF/Y1					
CY2	NC	100pF/Y1		NC		100pF/Y1
CY3	3300pF/Y1	4700pF/Y1				
CY4	4700pF/Y1					
CY5, CY6, CY7, CY8	2200pF/5KV SMD				NC	
CY9	3300pF/Y1	2200pF/Y1				
CY10	NC			3300pF/Y1	1000pF/Y1	
CY11, CY12	0.022uF X2 cap	4700pF/Y1		0.022uF X2 cap		
CY13	100pF/Y1	2200pF/Y1		680pF/Y1	NC	
CY14	100pF/Y1	2200pF/Y1		330pF/Y1	NC	
CY15, CY16	0.022uF X2 cap	4700pF/Y1				0.022uF X2 cap
L1, L2	2.8uH		SHORT			
L3, L4	0.8mm*2/10T 3.88mH~7.53mH TMC20-11-8-A(E) 21.5*9.5*9.5mm COATED TECH MOUNT					
L201	0.8mm*4/4T 0.352mH-0.683mH		0.8mm*2/8T 1.55mH-2.59mH			0.55mm*2/13 T 4.1mH-6.8mH
F111	NC	15A/250V SMD				
Block Pad	NC	1.5*2*10mm conductive copper strip				
CN101	EK500V-07P DINKLE					
CN2	EK500V-04P DINKLE					



CQB75W14 Series Application Note V11

Model Name	Model Number					
	72S05	72S12	72S15	72S24	72S28	72S54
CN3	WAFER DIP AC-DC Nylon UL 94V-0 P110I-04 4PIN					
VR1	VR DIP GF063P1-B103 0.5W 10K ±10% TOCOS					
LED1	MS-PT3216ZGSC STONE					
MINI JUMPER	HMJ20-02O-95BS (USING IN CN3)					
R203	100R	510R	100R	2K	100R	3.6K
R204	2.49K	1.8K	1.8K	1.8K	2.7K	510R
R205	100K	100K	100K	200K	200K	200K
ZD1	SMCJ180A, LITTELFUSE					
D1	STTH8R03DJF-TR, ST					
BEAD CORE	SN030 T2.8*1.7*1.2 SM for CY1, CY9, CY10, CY13, CY14 for CQB7514-72S24					
BEAD CORE	A6B T4*1.5*2 KING CORE CY13, CY14 FOR CQB75W14-72S05, S12, S15					

Note:

F111: 0463015.ER LITTELFUSE

C2, C201: 1812 X5/X7R ceramic.

C202, C203, C209: 1210 X5R/X7R/X7S ceramic.

C6: 0805 X7R ceramic.

C4, C5: NIPPON CHEMI-CON KXJ series aluminum capacitor or equivalent.

CY1~CY4, CY9~CY10, CY13~CY14: TDK Y1 capacitor or equivalent.

CY5~CY8: Safety Capacitors WCAP-CSSA X&Y Safety 2200pF 5kV 2211

CY11, CY12 (05, 24, 28, 54 Vout): CARLI MPX Series X2 capacitor or HJC MKP Series X2 capacitor or equivalent.

CY11, CY12 (12,15 Vout): TDK Y1 capacitor or equivalent.

CY15, CY16 (05, 28, 54 Vout): CARLI MPX Series X2 capacitor or equivalent.

CY15, CY16 (12, 15, 24 Vout): TDK Y1 capacitor or equivalent.

GDT1, GDT2: Gas Discharge Tube B5G300 or equivalent.

TVR1, TVR2: VARISTOR TVR10471KIC7AV or equivalent.

L1, L2: 7443551280 SMD INDUCTOR WURTH or equivalent.

L201: FCN0179C WELL LIGHT or equivalent.

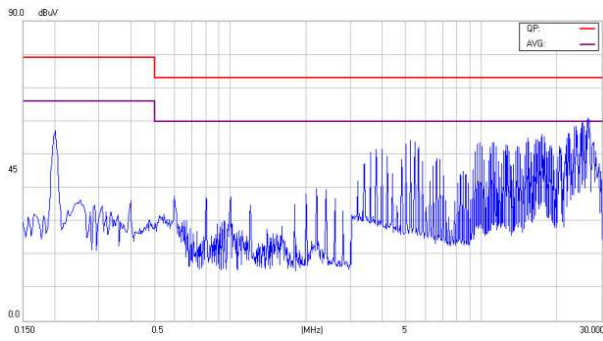


CQB75W14 Series Application Note V11

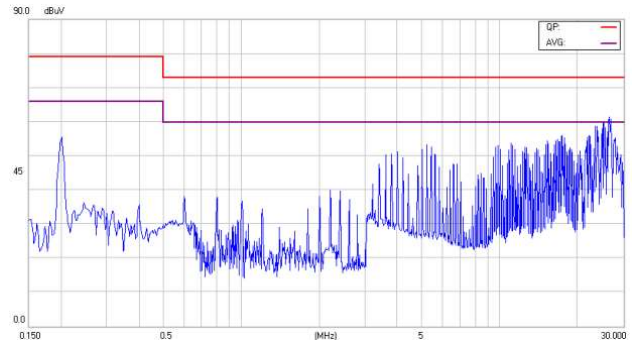
Conducted Emission (Input):

CQB75W14-72S05

Line

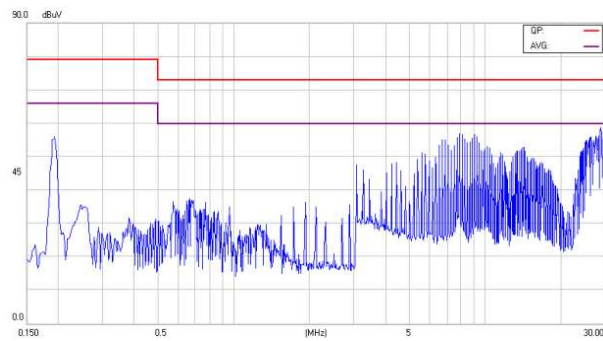


Neutral

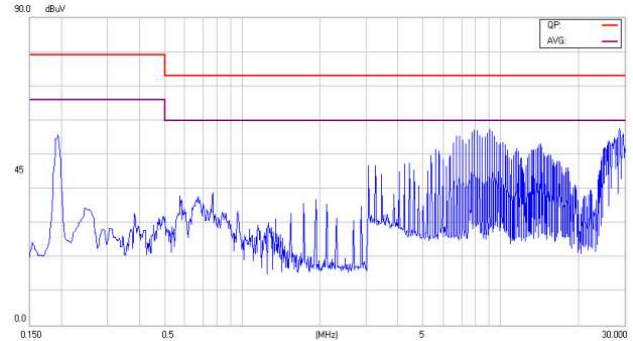


CQB75W14-72S12

Line

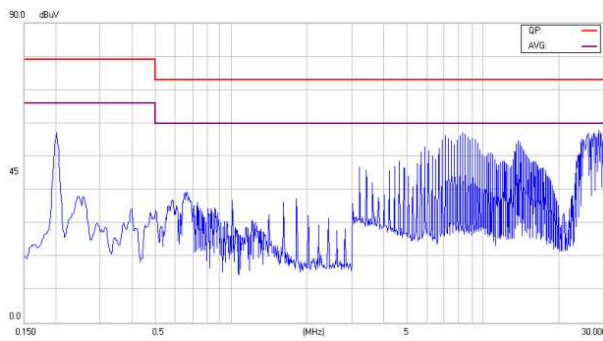


Neutral

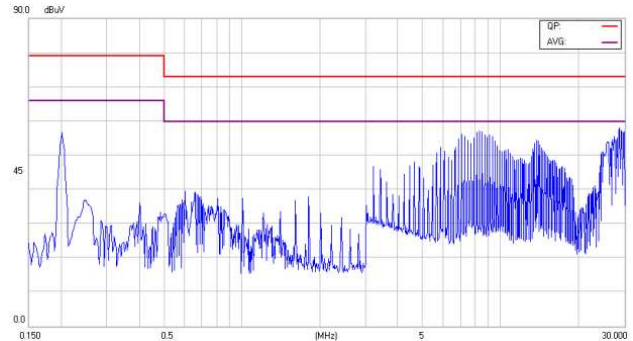


CQB75W14-72S15

Line



Neutral

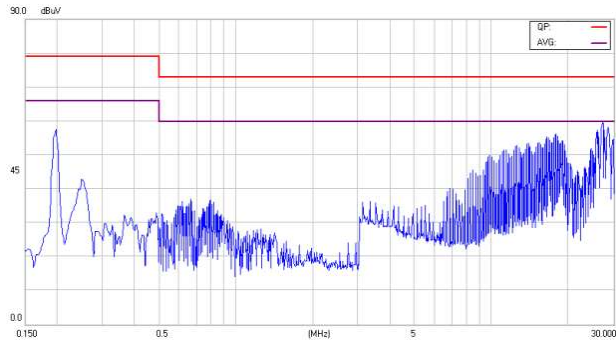




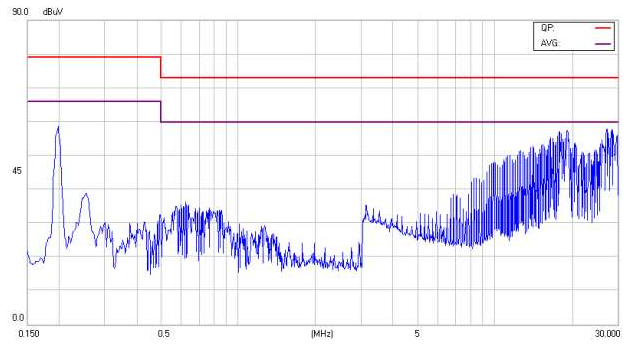
CQB75W14 Series Application Note V11

CQB75W14-72S24

Line

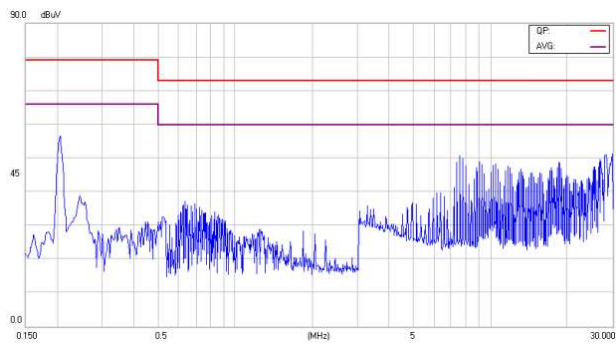


Neutral

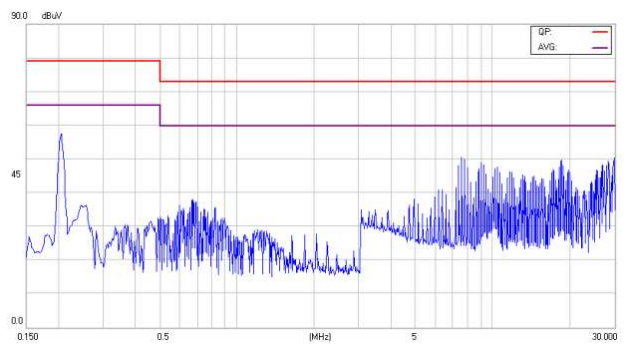


CQB75W14-72S28

Line

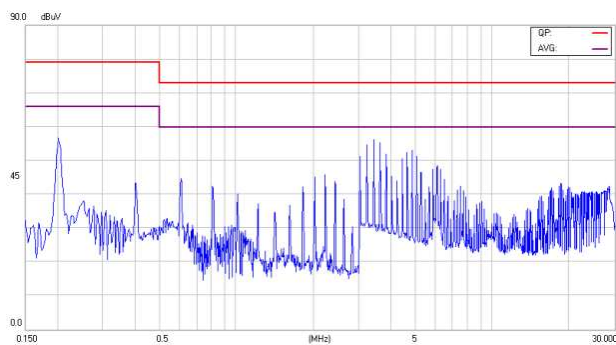


Neutral

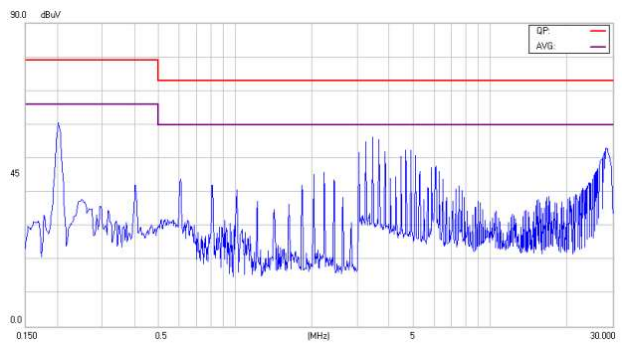


CQB75W14-72S54

Line



Neutral



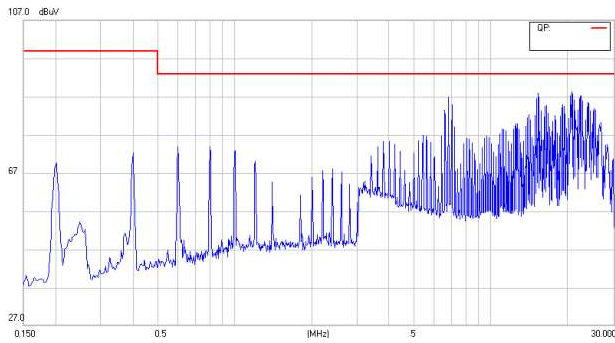


CQB75W14 Series Application Note V11

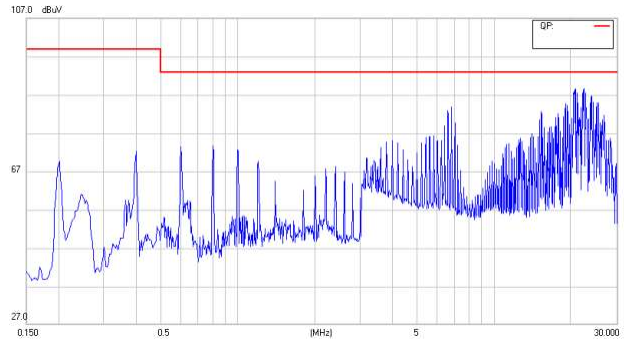
Conducted Emission (Output):

CQB75W14-72S05

Positive

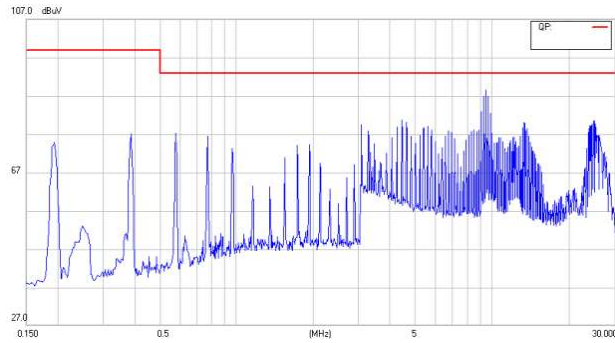


Negative

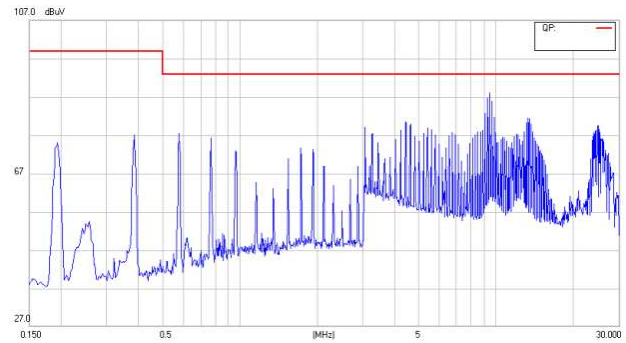


CQB75W14-72S12

Positive

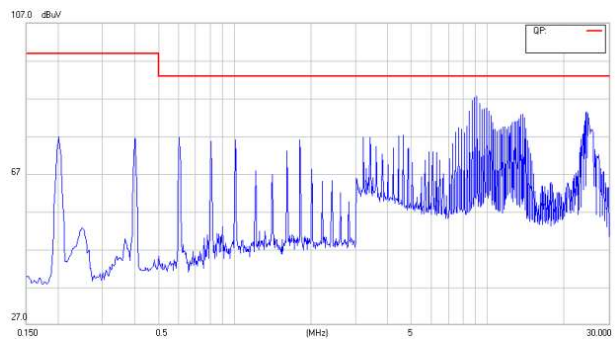


Negative

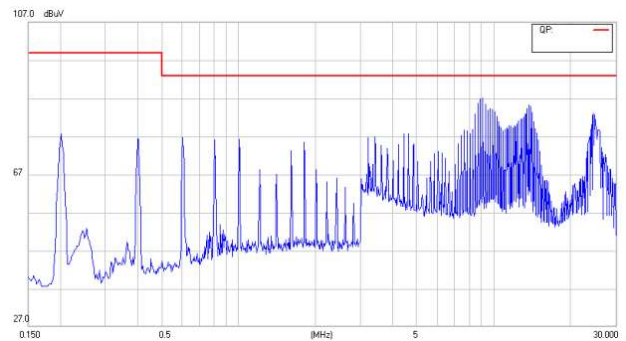


CQB75W14-72S15

Positive



Negative

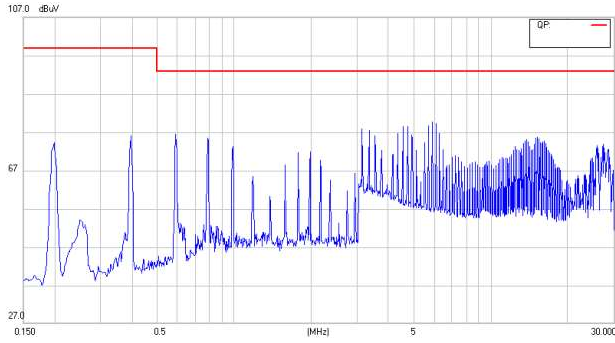




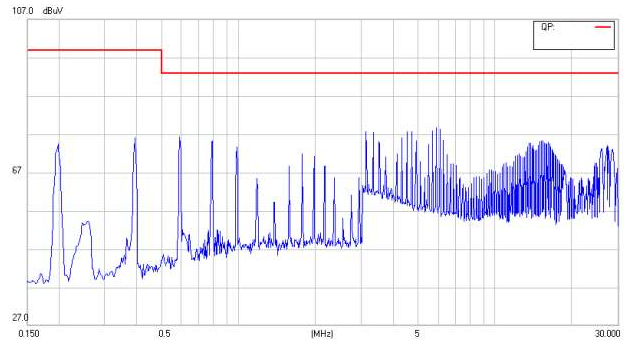
CQB75W14 Series Application Note V11

CQB75W14-72S24

Positive

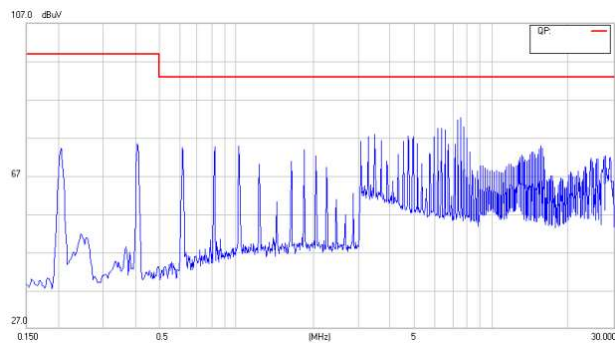


Negative

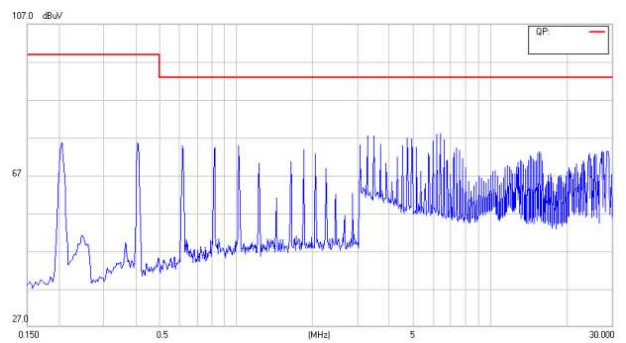


CQB75W14-72S28

Positive

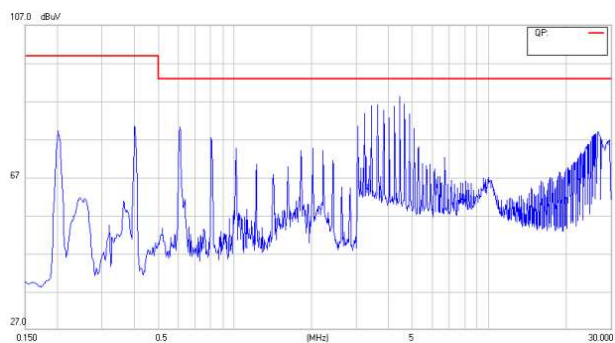


Negative

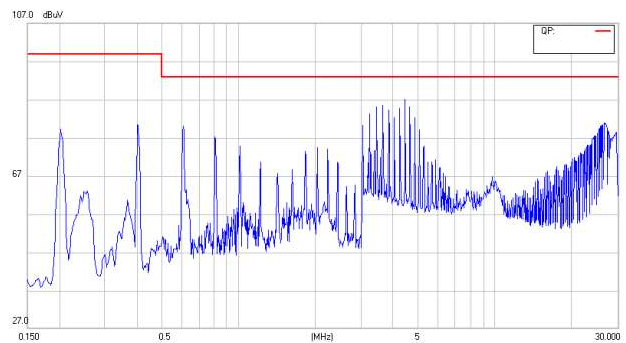


CQB75W14-72S54

Positive



Negative



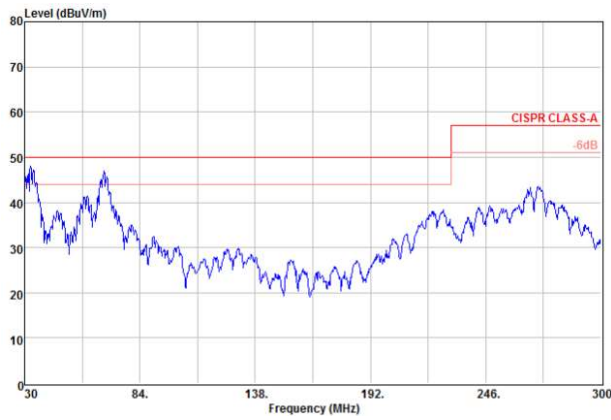


CQB75W14 Series Application Note V11

Radiated Emission:

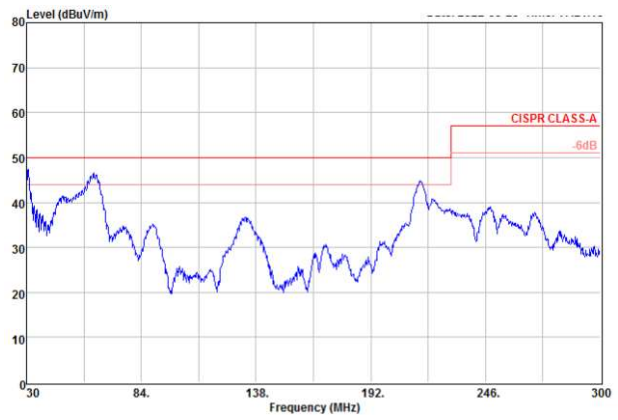
CQB75W14-72S05

Vertical



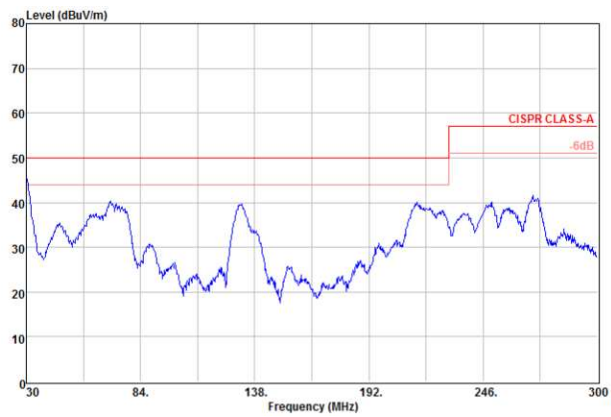
CQB75W14-72S12

Vertical



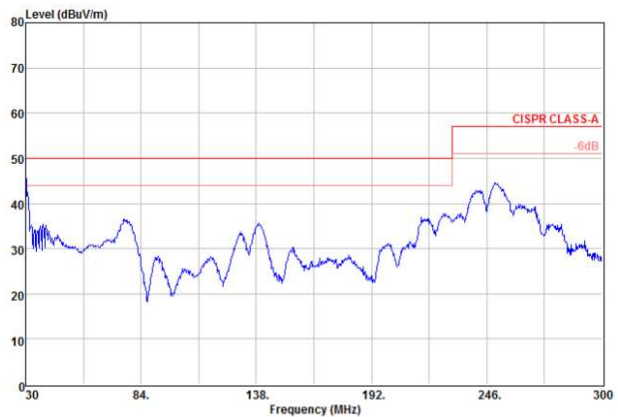
CQB75W14-72S15

Vertical



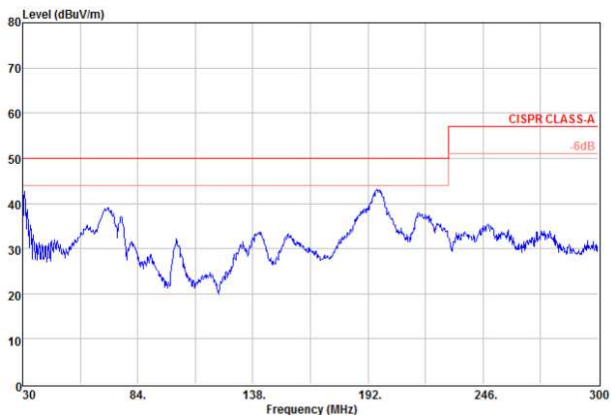
CQB75W14-72S24

Vertical



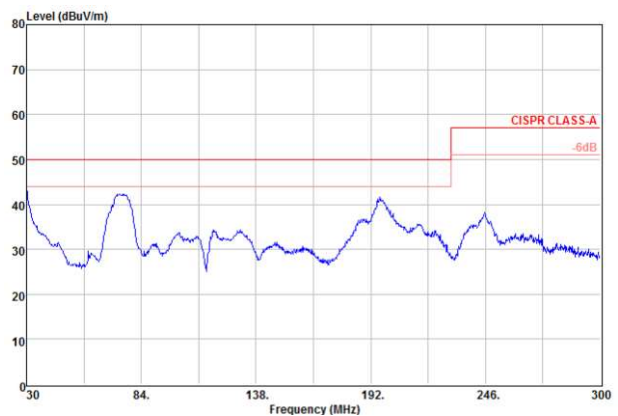
CQB75W14-72S28

Vertical



CQB75W14-72S54

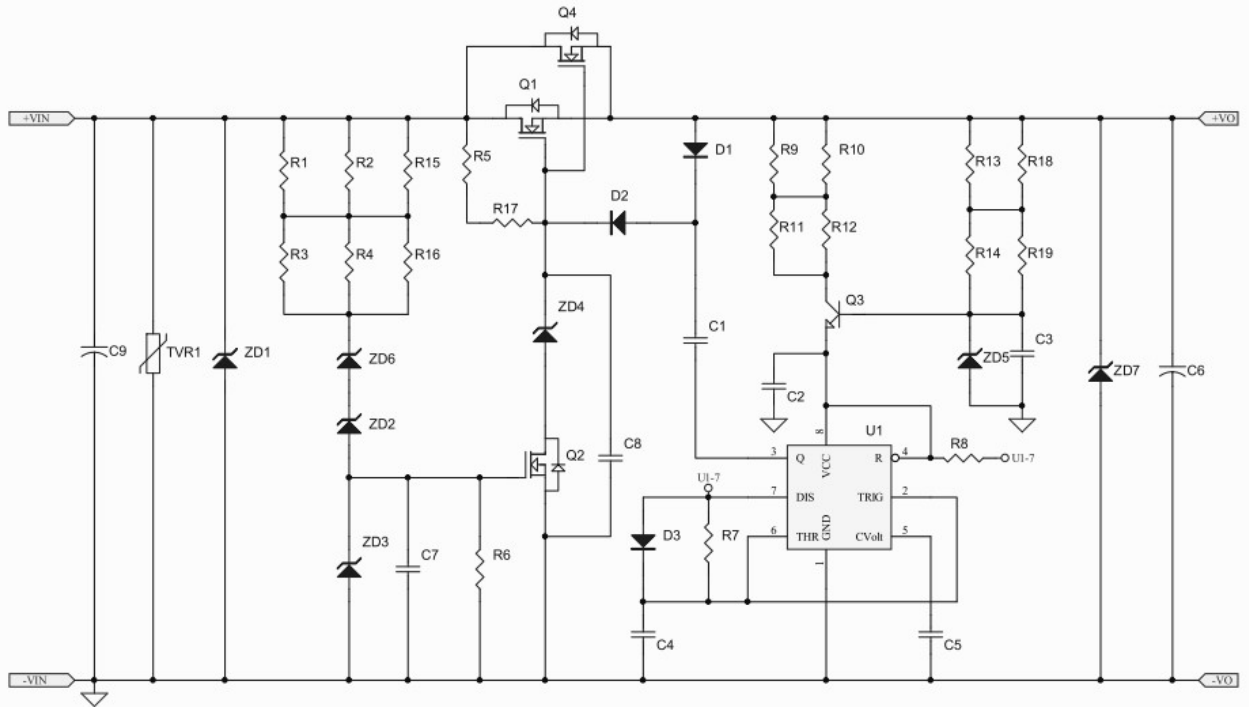
Vertical





CQB75W14 Series Application Note V11

10.3 Suggested Configuration for RIA12 Surge Test



CINCON ELECTRONICS CO., LTD.

Headquarters:

14F, No.306, Sec.4, Hsin Yi Rd.
Taipei, Taiwan
Tel: 886-2-27086210
Fax: 886-2-27029852
E-mail: sales@cincon.com.tw
Web Site: <https://www.cincon.com>

Factory:

No. 8-1, Fu Kung Rd.
Fu Hsing Industrial Park
Fu Hsing Hsiang,
ChangHua Hsien, Taiwan
Tel: 886-4-7690261
Fax: 886-4-7698031

Cincon North America:

1655Mesa Verde Ave. Ste 180
Ventura, CA93003
Tel: 805-639-3350
Fax: 805-639-4101
E-mail: info@cincon.com