



CFM202S Series

Application Note V13

200W AC-DC Power Supply with PFC CFM202S Series APPLICATION NOTE



Approved By:

Department	Approved By	Checked By	Written By
Research and Development Department	Ovid	Calvin	Kaimi
Design Quality Department	Benny	JoJo	



CFM202S Series

Application Note V13

Content

1. INTRODUCTION	3
2. ELECTRICAL BLOCK DIAGRAM	3
3. MAIN FEATURES AND FUNCTIONS	4
3.1 <i>Operating Temperature Range</i>	4
3.2 <i>Output Protection (Over Current Protection)</i>	4
4. APPLICATIONS	4
4.1 <i>Test Set-Up</i>	4
4.2 <i>Output Ripple and Noise Measurement</i>	4
4.3 <i>Installation Instruction</i>	5
4.4 <i>EMI Test</i>	6
4.5 <i>Mating Connectors</i>	6
5. PACKING INFORMATION	7



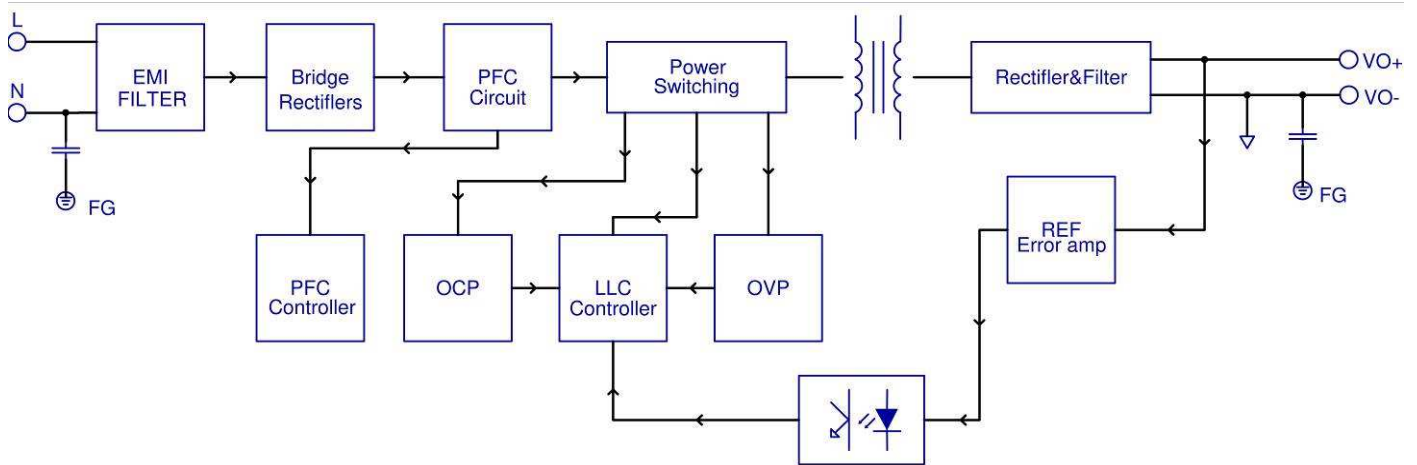
CFM202S Series

Application Note V13

1. Introduction

This application note describes the features and functions of Cincon's CFM202S series of open frame, switching AC-DC power module. These are highly efficient, reliable, compact, high power density, single output AC/DC power modules. The module is fully protected against short circuit and over-voltage conditions. Cincon's world class automated manufacturing methods, together with an extensive testing and qualification program, ensure that the CFM202S series power module is extremely reliable.

2. Electrical Block Diagram





CFM202S Series

Application Note V13

3. Main Features and Functions

3.1 Operating Temperature Range

The highly efficient design of Cincon's CFM202S series power modules has resulted in their ability to operate within ambient temperature environments from -30°C to 80°C. Due consideration must be given to the de-rating curves when ascertaining the maximum power that can be drawn from the module. The maximum power which can be drawn is influenced by a number of factors, such as

- Input voltage range
- Permissible Output load (per derating curve)
- Effective heat sinks

3.2 Output Protection (Over Current Protection)

The power modules provide full continuous short-circuit protection. The unit will auto recover once the short circuit is removed. To provide protection in a fault condition, the unit is equipped with internal over-current protection. The unit will operate normally once the fault condition is removed. The power module will go to hiccup mode if the output current is set from 120% to 180% of rated current.

4. Applications

4.1 Test Set-Up

The basic test set-up to measure parameters such as efficiency and load regulation is shown in Figure 1. When testing the Cincon's CFM202S series under any transient conditions, please ensure that the transient response of the source is sufficient to power the equipment under test. We can calculate the

- Efficiency
- Load regulation and line regulation.

The value of efficiency is defined as:

$$\eta = \frac{V_o \times I_o}{P_{in}} \times 100\%$$

Where:

V_o is output voltage

I_o is output current

P_{in} is input power

The value of load regulation is defined as:

$$Load\ reg. = \frac{V_{FL} - V_{NL}}{V_{NL}} \times 100\%$$

Where:

V_{FL} is the output voltage at full load

V_{NL} is the output voltage at 10% load

The value of line regulation is defined as:

$$Line\ reg. = \frac{V_{HL} - V_{LL}}{V_{LL}} \times 100\%$$

Where:

V_{HL} is the output voltage of maximum input voltage at full load.

V_{LL} is the output voltage of minimum input voltage at full load.

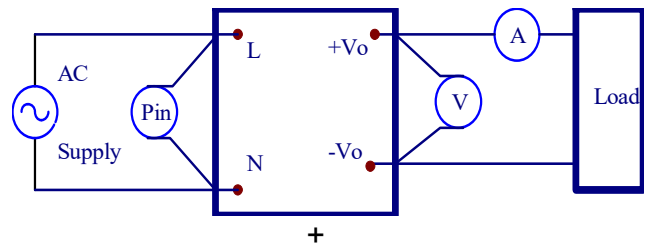


Figure 1. CFM202S Series Test Setup

4.2 Output Ripple and Noise Measurement

The test set-up for noise and ripple measurements is shown in Figure 2. Measured method:

Add a $C_2=0.1\mu F$ ceramic capacitor and a $C_1=10\mu F$ electrolytic capacitor to output at 20 MHz Band Width.

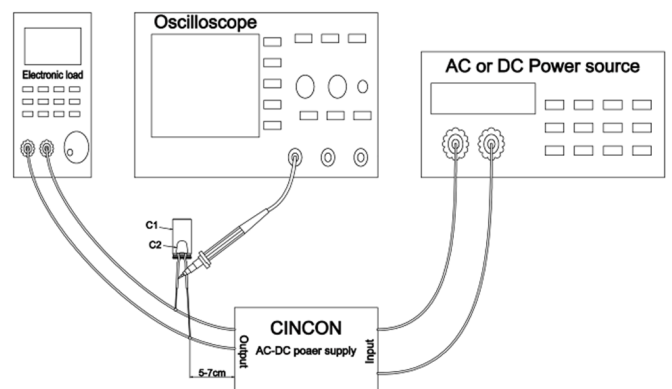


Figure 2. Output Voltage Ripple and Noise Measurement Set-Up

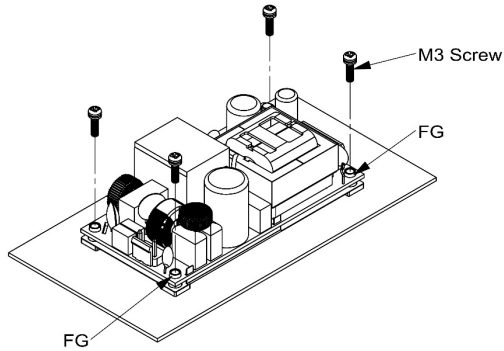


CFM202S Series

Application Note V13

4.3 Installation Instruction

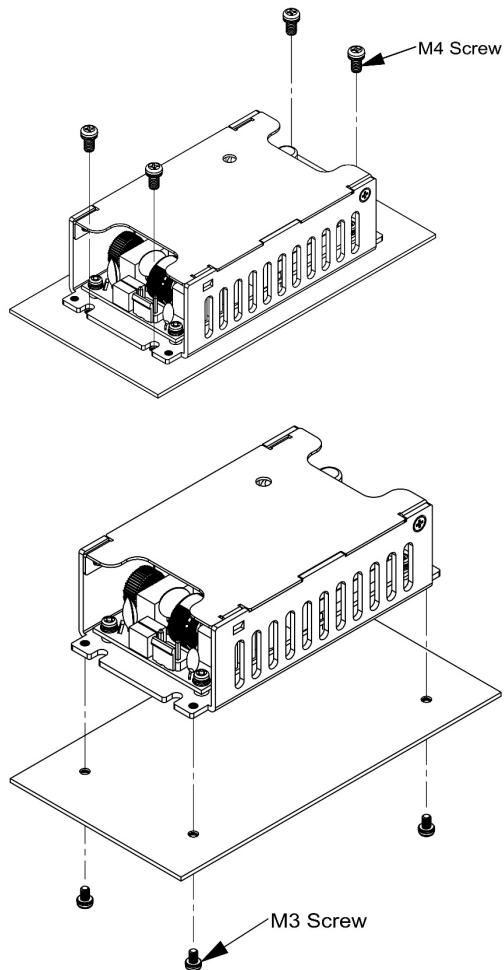
The CFM202S series provide the baseplate cooling for customer to increasing heat dissipation. Please refer to the following figure for installation.



CFM202SXXXB installation diagram

Note:

M3 screw head and washer diameter shall not exceed 5.5mm. M3 torque is 4 kgf-cm max.

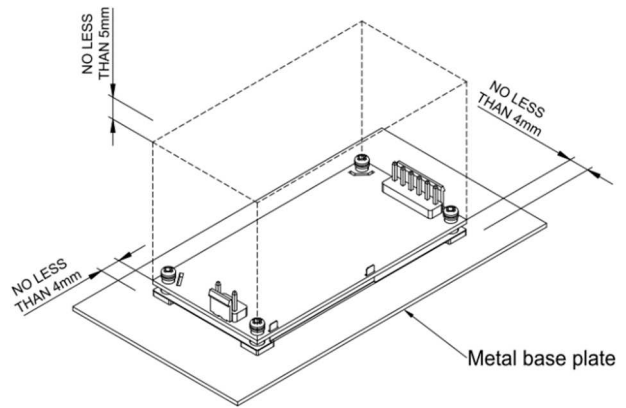


CFM202SXXXC installation diagram

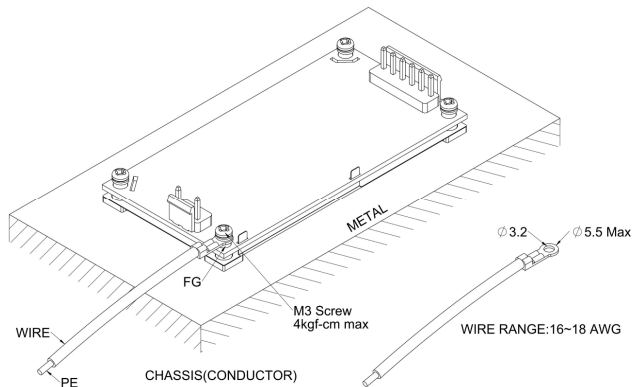
Note:

M3&M4 screw head and washer diameter shall not exceed 5.5mm. M3 torque is 3.5 kgf-cm max and M4 torque is 12 kgf-cm max.

Please allow 4mm side clearance from the components and all side of the PCB. Allow 5mm clearance above the highest parts on the PCB. Be especially careful to allow 5mm between the solder side of the PCB and the mounting surface. If the clearances are not sufficient the specifications for isolation and withstand will not be valid.



FG should be connected to the earth (ground) terminal of the apparatus. If not the conducted noise and output noise will increase.



The torque of M3 screw nut is 4kgf-cm max.



CFM202S Series

Application Note V13

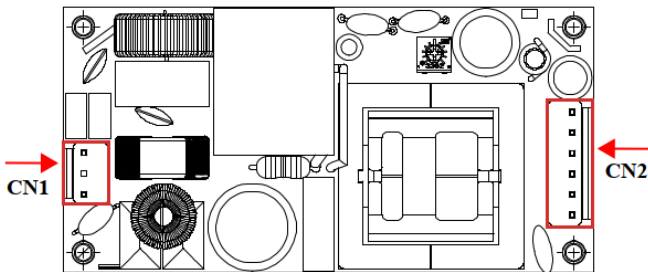
4.4 EMI Test

The CFM202S series Conductive EMI meets EN55032 FCC Part 15 Class B when test condition is Class I & Class II.

Radiation meet EN55032, FCC Part 15 Class B when test condition is Class I.

Radiation meet EN55032, FCC Part 15 Class A when test condition is Class II.

4.5 Mating Connectors



AC Input (CN1) DC Output (CN2)	Wafer: TAIWAN KING PIN TERMINAL PVHI series or equivalent. Housing: JST VHR series or equivalent.
-----------------------------------	---

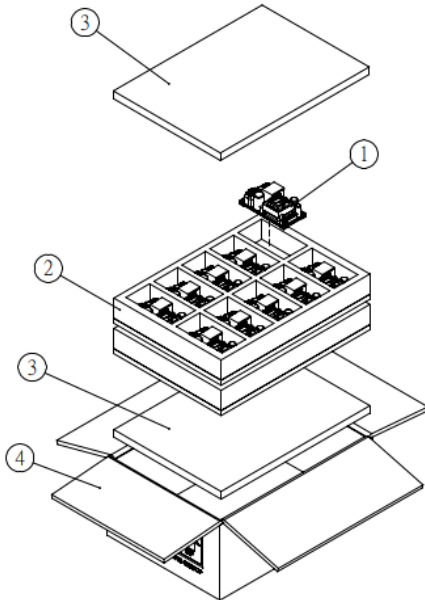


CFM202S Series

Application Note V13

5. Packing Information

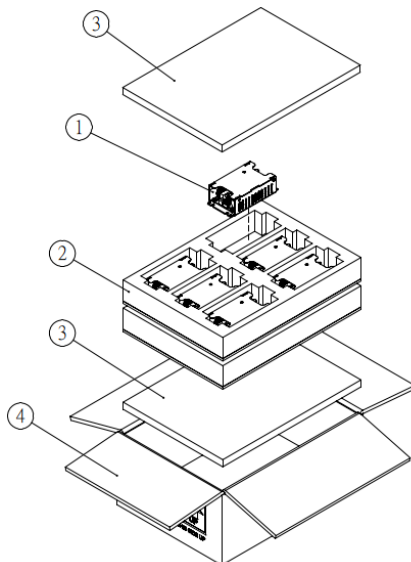
The packing information for CFM202SXXX-B series is showing as follows:



ITEM	PART NO.	NAME	OUTSIDE DIM(mm)	PCS
1	-	CFM202SXXX-B Product	101.6x50.8x33.3	20
2	G64301170	Antistatic Foam	340x245x50	2
3	G64308319	Antistatic Foam	340x245x15	2
4	G64112339	No.59 Cardboard Box	360.6x257.6x148.5	1

Each Box Packaging 20 PCS Products
Gross weight Ref. 6 Kg

The packing information for CFM202SXXXC series is showing as follows:



ITEM	PART NO.	NAME	OUTSIDE DIM(mm)	PCS
1	-	CFM202SXXXC Product	116.8x64x34.5	12
2	G64301171	Antistatic Foam	340x245x50	2
3	G64308319	Antistatic Foam	340x245x15	2
4	G64112339	No.59 Cardboard Box	360.6x257.6x148.5	1

Each Box Packaging 12 PCS Products
Gross weight Ref. 5 Kg

CINCON ELECTRONICS CO., LTD.

Headquarters:

14F, No.306, Sec.4, Hsin Yi Rd.
Taipei, Taiwan
Tel: 886-2-27086210
Fax: 886-2-27029852
E-mail: sales@cincon.com.tw
Web Site: <https://www.cincon.com>

Factory:

No. 8-1, Fu Kung Rd.
Fu Hsing Industrial Park
Fu Hsing Hsiang,
Chang Hua Hsien, Taiwan
Tel: 886-4-7690261
Fax: 886-4-7698031

Cincon North America:

1655 Mesa Verde Ave. Ste 180
Ventura, CA 93003
Tel: 805-639-3350
Fax: 805-639-4101
E-mail: info@cincon.com