



HEATSINK KITS for DC-DC CONVERTERS

Features

- Constructed of aluminum AL6063 for optimum heat transfer
- Designed specifically for DC/DC Converters and other baseplate packages
- Finished with black anodize plating
- Mounting hardware and thermal pad are available

ORDERING INFORMATION for HEATSINKS

Item	MODEL NUMBER			SUITABLE DC/DC PACKAGE	FIN STYLE	HEATSINK HEIGHT (mm)	THERMAL RESISTANCE (C/W)				
	HEATSINK	THERMAL PAD	MOUNTING HARDWARE (NOTES5)				NATURAL CONVECTION	100 LFM	200 LFM	300 LFM	400 LFM
1	SBC100 (K-C087)	N/A ^7	CLIP HC01	SB 1"x1"	Cross Cut	10.0	12.5	--	--	--	--
2	BC100 (K-C088)	N/A ^7	CLIP HC01	B 2"x1"	Cross Cut	10.0	10.2	--	--	--	--
3	BL150G (M-C1677)	PB01	Soldered on PCB		Longitudinal	15	5.62	4.94	3.52	3.14	2.38
4	LBT127 (M-C655)	PL01	K258W	LB 2.05"x1.2"	Transverse	12.7	8.99	3.29	2.73	2.40	2.10
5	EBL150G (M-C1819)	PE01	Soldered on PCB	Eighth Brick	Longitudinal	15	4.96	3.85	2.94	2.44	2.06
6	QBL127 (M-C448)	PQ01	K308W or K310W	Quarter Brick	Longitudinal	12.7	5.61	4.01	3.39	2.86	2.49
7	QBT210 (M-C421)				Transverse	21	4.78	2.44	2.06	1.76	1.58
8	HBL210 (M-C308)	PH01	K308W or K310W	Half Brick	Longitudinal	21	3.9	1.74	1.33	1.12	0.97
9	HBT127 (M-C091)				Transverse	12.7	4.7	2.89	2.3	1.88	1.59
10	HBT254 (M-C092)				Transverse	25.4	3.0	1.44	1.17	1.04	0.95
11	FBL254 (M-B012)	PF01	K320N or K308W or K310W	Full Brick	Longitudinal	25.4	2.4	1.76	1.17	1.0	0.83
12	FBL127 (M-B011)	PF01		Full Brick	Longitudinal	12.7	2.7	2.41	1.59	1.29	1.07
13	CMLH01 (M-C1618)	PF01	K408W	Quarter Brick-CMFD	Longitudinal	25.4	2.5	--	--	--	--
14	CMLH02 (M-C1658)	PCM02	K408W	Half Brick CMFD	Longitudinal	25.4	1.2	--	--	--	--
15	CMLH03 (M-D354)	PCM03	K412N	Full Brick CMFD	Longitudinal	31	0.68	--	--	--	--

NOTES:

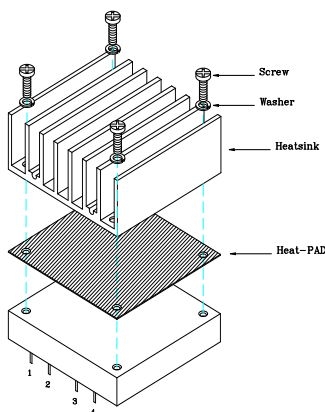
1. With threaded mounting hole
2. Example Part Numbers:
 QBL127: Quarter Brick Heatsink (12.7mm High), plate fin (longitudinal)
 FBL254PF01: Full Brick Heatsink (25.4mm High), plate fin (longitudinal) with thermal interface pad
 HBT127PH01K308W: Half Brick Heatsink (12.7mm High), plate fin (transverse) with thermal interface pad and 4 pieces of M3 x 8mm screws & spring washers
 HBL210K308W: Half Brick Heatsink (21.0mm High), plate fin (longitudinal) with 4 pieces of M3 x 8mm screws & spring washers
3. Thermal data provided are for reference only. Actual cooling performance may vary by application.
4. Specifications are subject to change without notice.
5. K258W: Screw set M2.5*8mm screw & lock washer x 2pcs
 K310W: Screw set M3*10mm screw with spring washer x 4pcs
 K320N: Screw set M3*20mm screw & lock screw nut x 4pcs
 K412N: Screw set M4*12mm screw & lock screw nut x 4pcs
 K308W: Screw set M3*8mm screw with spring washer x 4pcs
 K320W : Screw set M3*20mm screw & spring washer x 4pcs
 K408W: Screw set M4*8mm screw & spring washer x 4pcs
6. For volume orders, converters will be supplied with heat-sink already mounted. Separate heatsinks are only available for prototypes and small quantity orders.
7. Applying proper thermal paste is recommended.



Heatsink Kit for DC-DC Converters

ORDERING INFORMATION for HEATSINK KITS

Item	HEATSINK KIT MODEL NUMBER	SUITABLE DC/DC PACKAGE	HEATSINK	HEATSINK WEIGHT (g)	THERMAL PAD	THERMAL PAD WEIGHT (g)	MOUNTING HARDWARE	MOUNTING HARDWARE WEIGHT (g)
1	SBC100HC01	SB 1"x1"	SBC100	7.2	none	none	CLIP HC01	1.04
2	BC100HC01	B 2"x1"	BC100	14.3	none	none	CLIP HC01	1.04
3	BL150GPB01	B 2"x1"	BL150G	32.5	PB01	3.54	Soldered on PCB	none
4	LBT127PL01K258W	LB 2.05"x1.2"	LBT127	26.6	PL01	0.84	K258W	0.395
5	EBL150GPE01	Eighth Brick	EBL150G	39.1	PE01	2.14	Soldered on PCB	none
6	QBL127PQ01K308W	Quarter Brick	QBL127	37.4	PQ01	1.1	K308W	0.66
7	QBT210PQ01K308W	Quarter Brick	QBT210	43.8	PQ01	1.1	K308W	0.66
8	HBL210PH01K310W	Half Brick	HBL210	72.9	PH01	1.9	K310W	0.73
9	HBT127PH01K310W	Half Brick	HBT127	50.4	PH01	1.9	K310W	0.73
10	HBT254PH01K310W	Half Brick	HBT254	79.78	PH01	1.9	K310W	0.73
11	HBT127K308W	Half Brick	HBT127	50.4	none	none	K308W	0.66
12	HBT254K308W	Half Brick	HBT254	79.78	none	none	K308W	0.66
13	FBL254PF01K320N	Full Brick	FBL254	160	PF01	4	K320N	1.07
14	FBL254PF01K308W	Full Brick	FBL254	160	PF01	4	K308W	0.66
15	FBL127PF01K320N	Full Brick	FBL127	111.4	PF01	4	K320N	1.07
16	CMLH01PF01K408W	Quarter Brick	CMLH01	232.5	PF01	4	K408W	1.29
17	CMLH02PCM02K408W	Half Brick	CMLH02	437.5	PCM02	7	K408W	1.29
18	CMLH03PCM03K412N	Full Brick	CMLH03	1096.5	PCM03	15	K412N	1.56



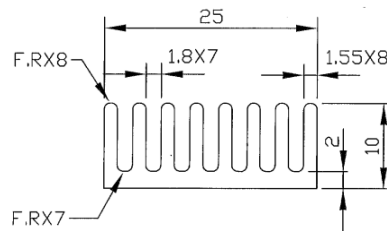
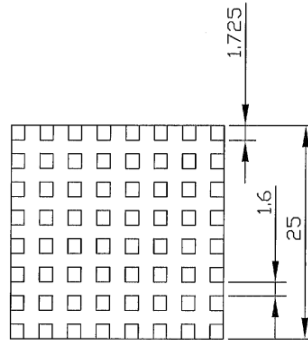


SB 1"x1" Case Heatsink Kit

Cross Cut Heat Sink: SBC100 (K-C087)

All Dimensions in mm

R_{ca} : 12.5°C/W (typ.), at natural convection

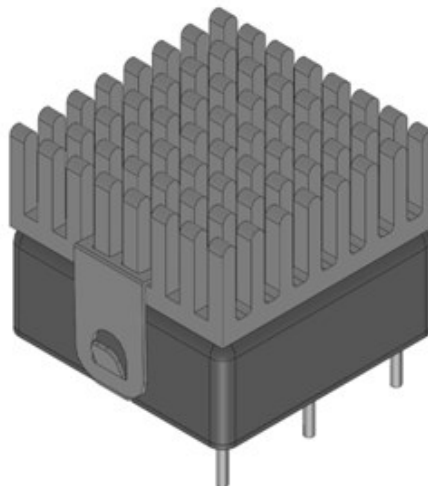


Assembly:

PART NUMBER: SBC100HC01

Heat Sink: SBC100

Clip: HC01



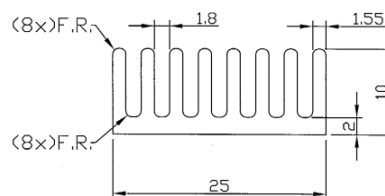
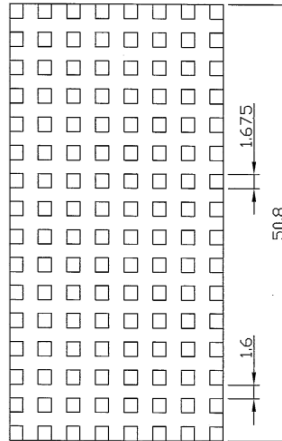


B 2"x1" Case Heatsink Kit

Cross Cut Heat Sink: BC100 (K-C088)

All Dimensions in mm

R_{ca} : 10.2°C/W (typ.), at natural convection

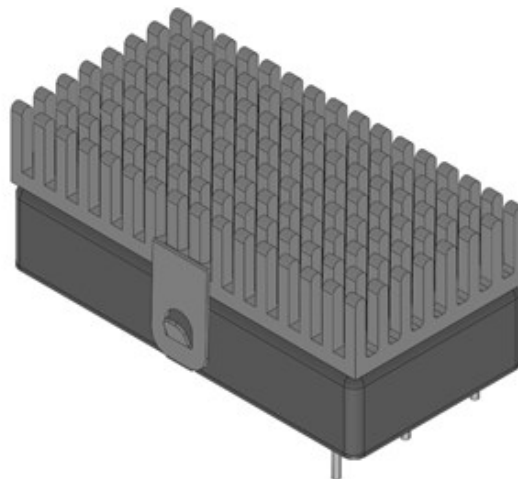


Assembly:

PART NUMBER: BC100HC01

Heat Sink: BC100

Clip: HC01

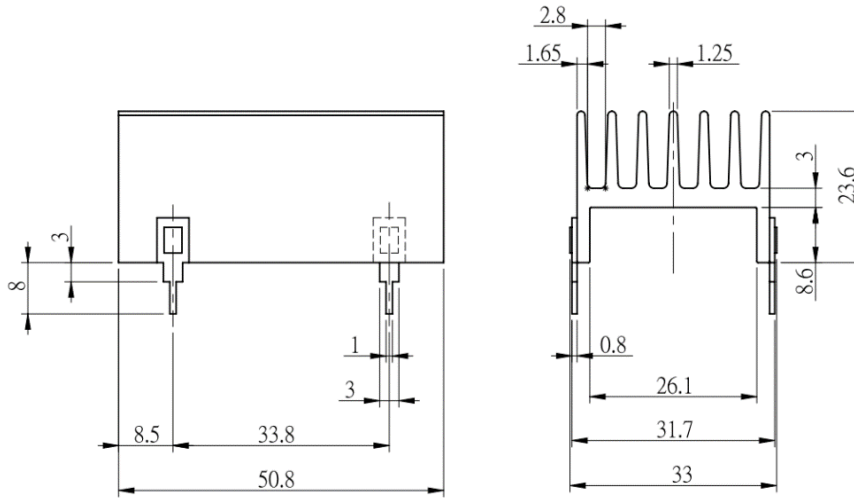




B 2"x1" Case Heatsink Kit

Longitudinal with Ground Pin Heat Sink: BL150G (M-C1677)

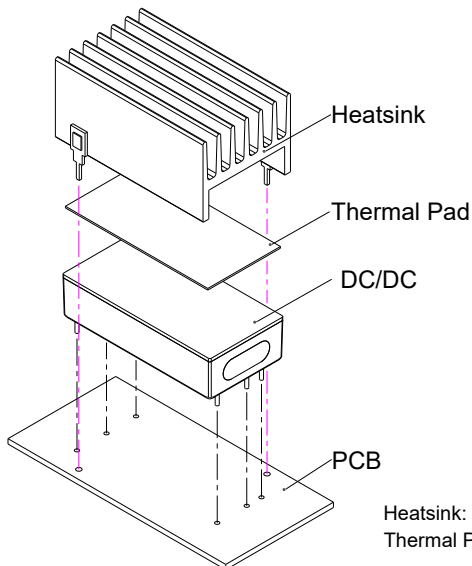
All Dimensions in mm



- R_{ca}: 5.62°C/W (typ.), At natural convection
- 4.94°C/W (typ.), At 100LFM
- 3.52°C/W (typ.), At 200LFM
- 3.14°C/W (typ.), At 300LFM
- 2.38°C/W (typ.), At 400LFM

Assembly:

PART NUMBER: BL150GPB01



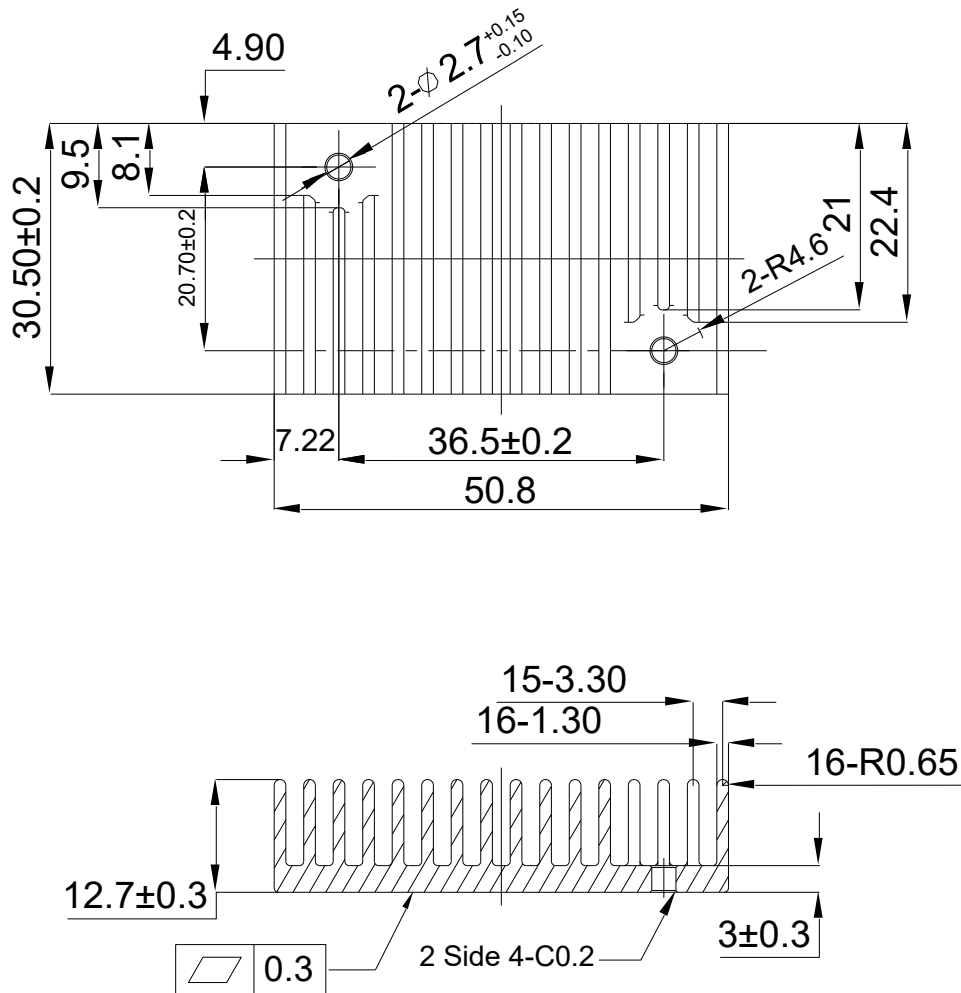
Heatsink: BL150G (M-C1677)
Thermal Pad PB01: SZ 49x25x0.5mm



LB 2.05"x1" Case Heatsink

Heat Sink: LBT127 (M-C655) Transverse Fins

All Dimensions in mm

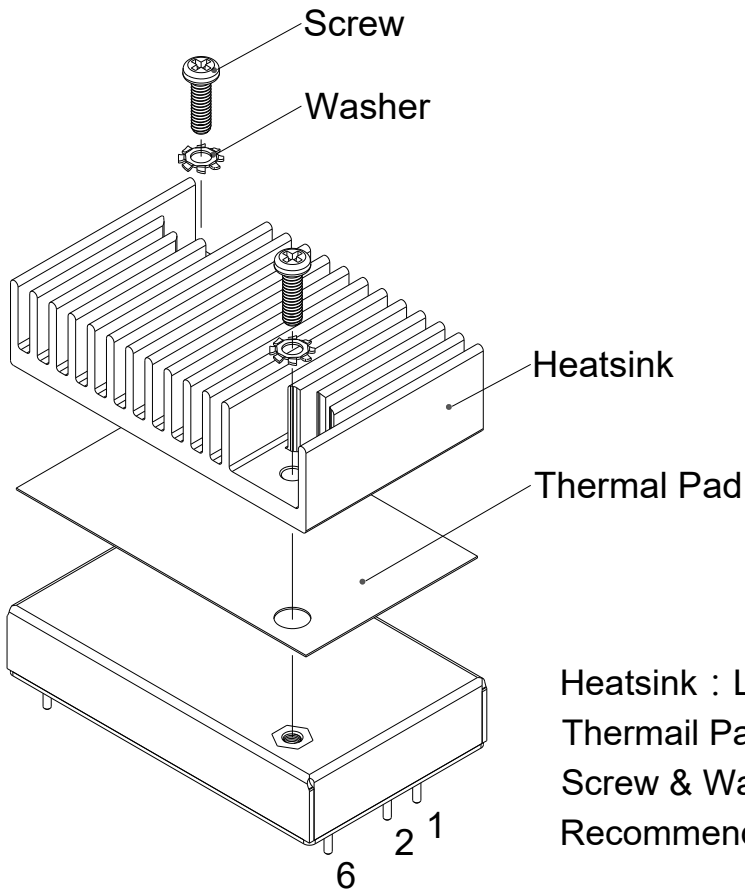


R_{ca} : 8.99°C/W (typ.), at natural convection
 3.29°C/W (typ.), at 100LFM
 2.73°C/W (typ.), at 200LFM
 2.40°C/W (typ.), at 300LFM
 2.10°C/W (typ.), at 400LFM



LB Case Heatsink Assembly

PART NUMBER: LBT127PL01K258W



Heatsink : LBT127 (M-C655)

Thermal Pad PL01 : SZ29.5x49.8x0.25mm

Screw & Washer K258W : SMP+WS M2.5x8L

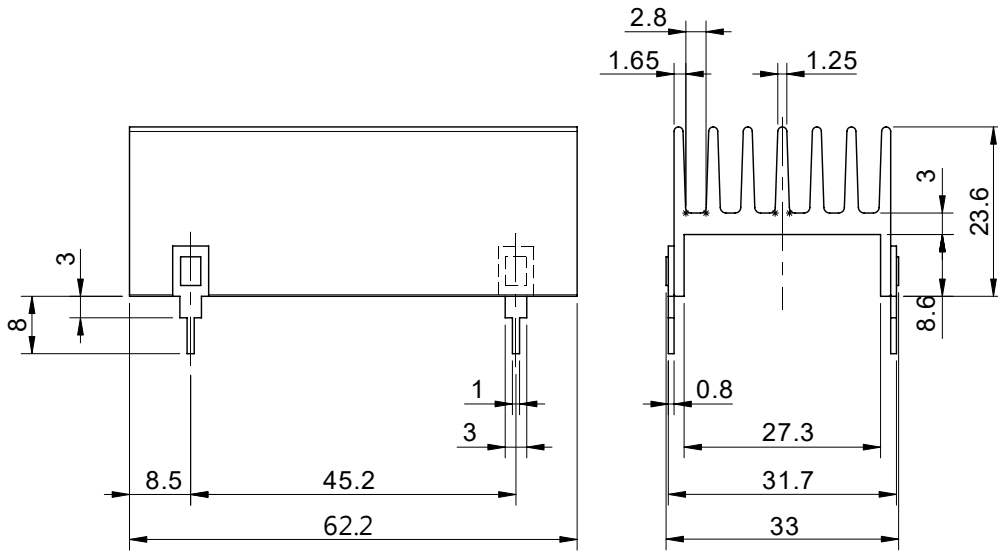
Recommended torque 3-7 Kgf-cm



EB Case Heatsink Kit

Longitudinal with Ground Pin Heat Sink: EBL150G (M-C1819)

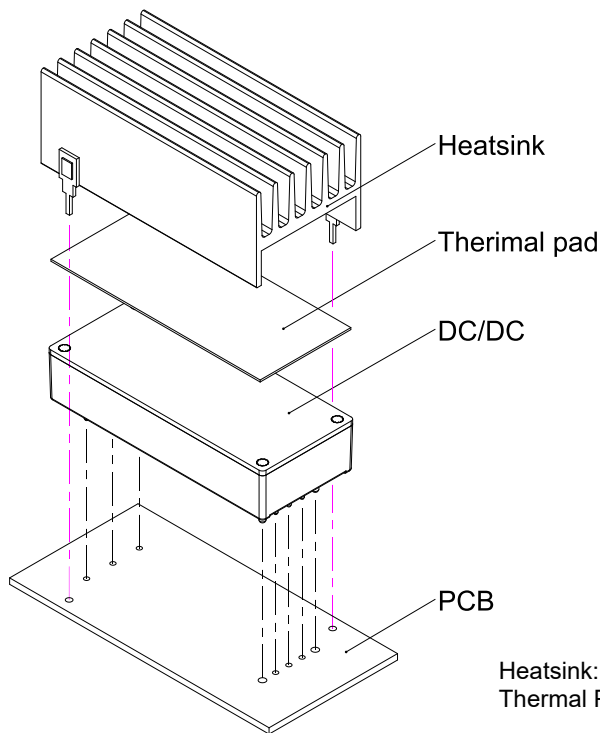
All Dimensions in mm



- R_{ca}: 4.96°C/W (typ.), At natural convection
- 3.85°C/W (typ.), At 100LFM
- 2.94°C/W (typ.), At 200LFM
- 2.44°C/W (typ.), At 300LFM
- 2.06°C/W (typ.), At 400LFM

Assembly:

PART NUMBER: EBL150GPE01



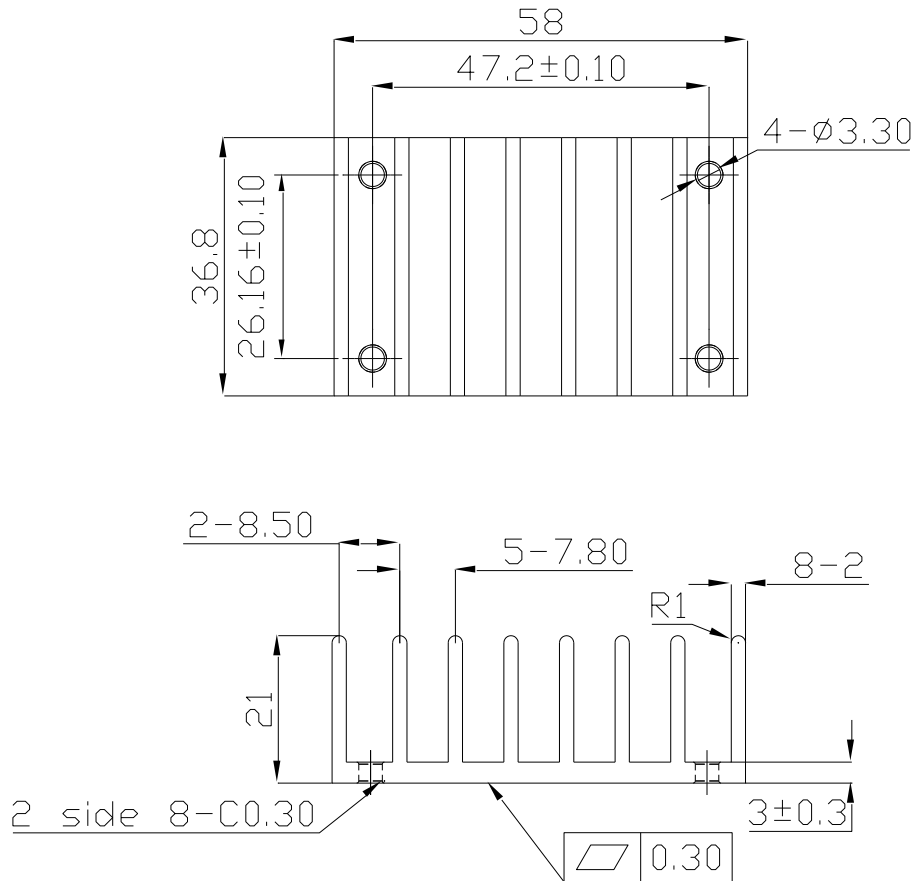
Heatsink: EBL150G(M-C1819)
 Thermal Pad PE01: TG-A2200 60.4x26.2x0.5mm



QB Case Heatsink

Heat Sink: QBT210 (M-C421) Transverse Fins

All Dimensions in mm



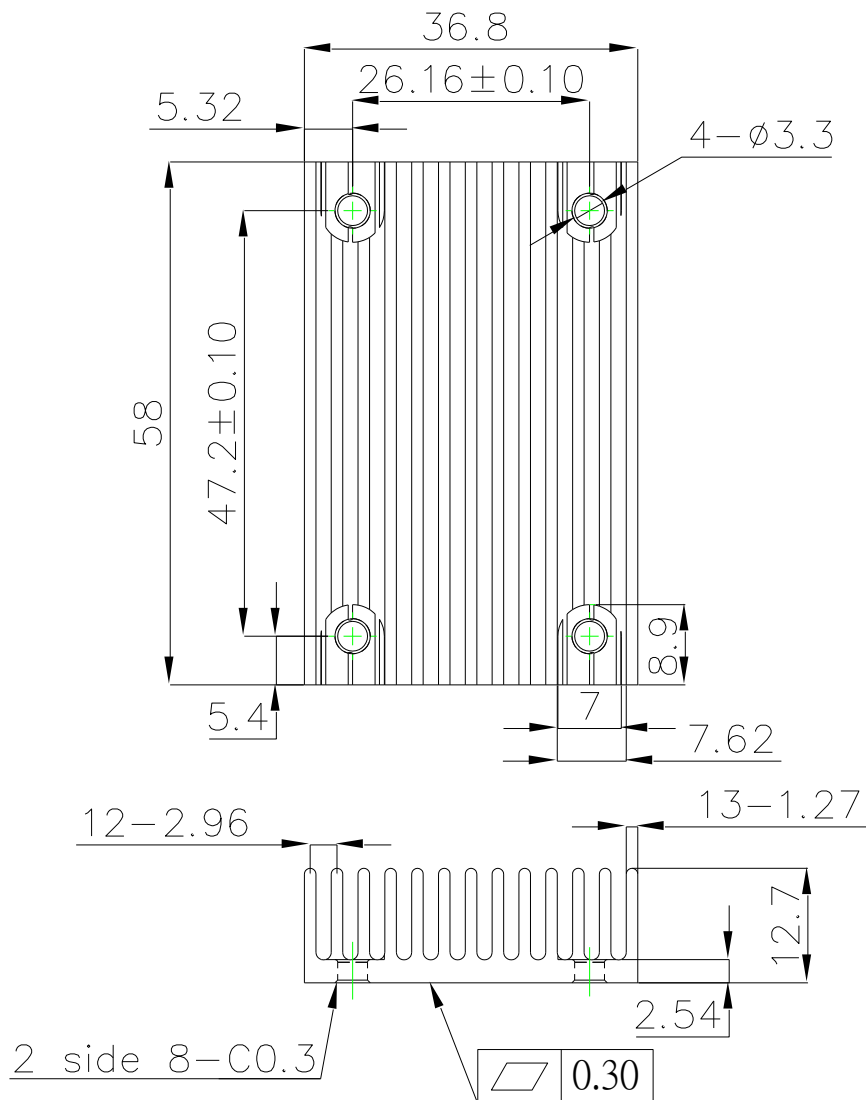
- R_{ca}: 4.78°C/W (typ.), at natural convection
- 2.44°C/W (typ.), at 100LFM
- 2.06°C/W (typ.), at 200LFM
- 1.76°C/W (typ.), at 300LFM
- 1.58°C/W (typ.), at 400LFM



QB Case Heatsink

Heat Sink: QBL127 (M-C448) Longitudinal Fins

All Dimensions in mm

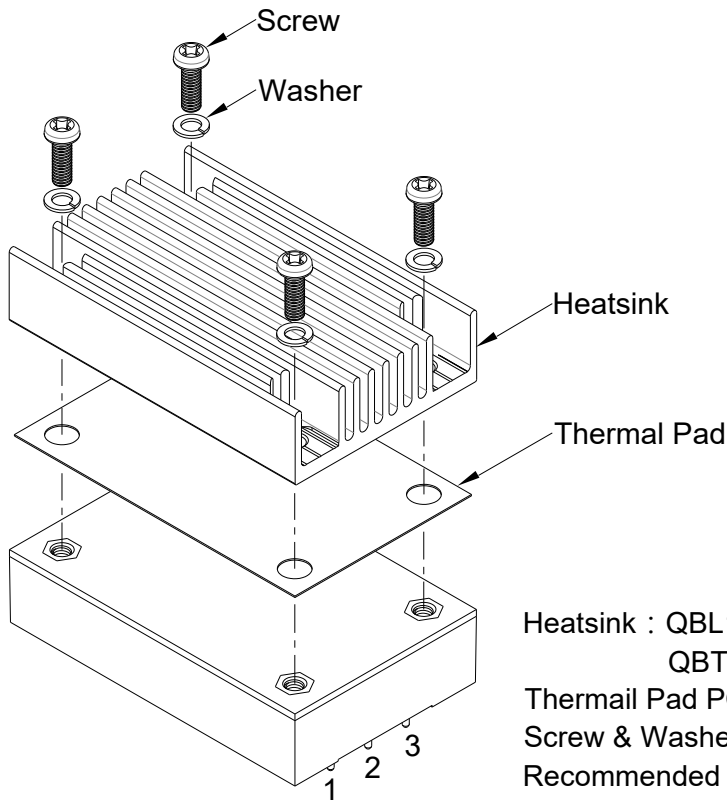


R_{ca} : 5.61°C/W (typ.), at natural convection
4.01°C/W (typ.), at 100LFM
3.39°C/W (typ.), at 200LFM
2.86°C/W (typ.), at 300LFM
2.49°C/W (typ.), at 400LFM

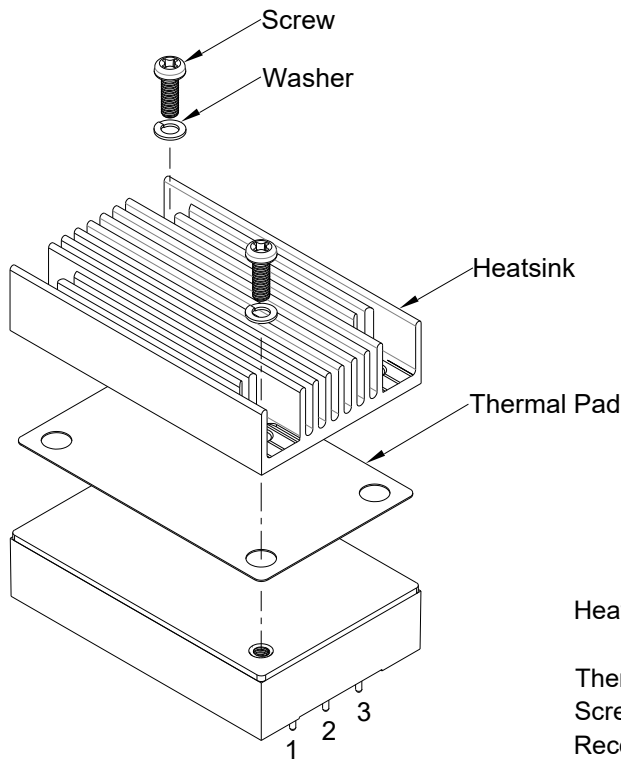


QB Case Heatsink Assembly

PART NUMBER: QBL127PQ01K308W, QBT210PQ01K308W



Heatsink : QBL127 (M-C448)
 QBT210 (M-C421)
Thermal Pad PQ01 : SZ35.8x56.9x0.25mm
Screw & Washer K308W : SMP+WS M3x8L
Recommended torque : 4~8 Kgf-cm



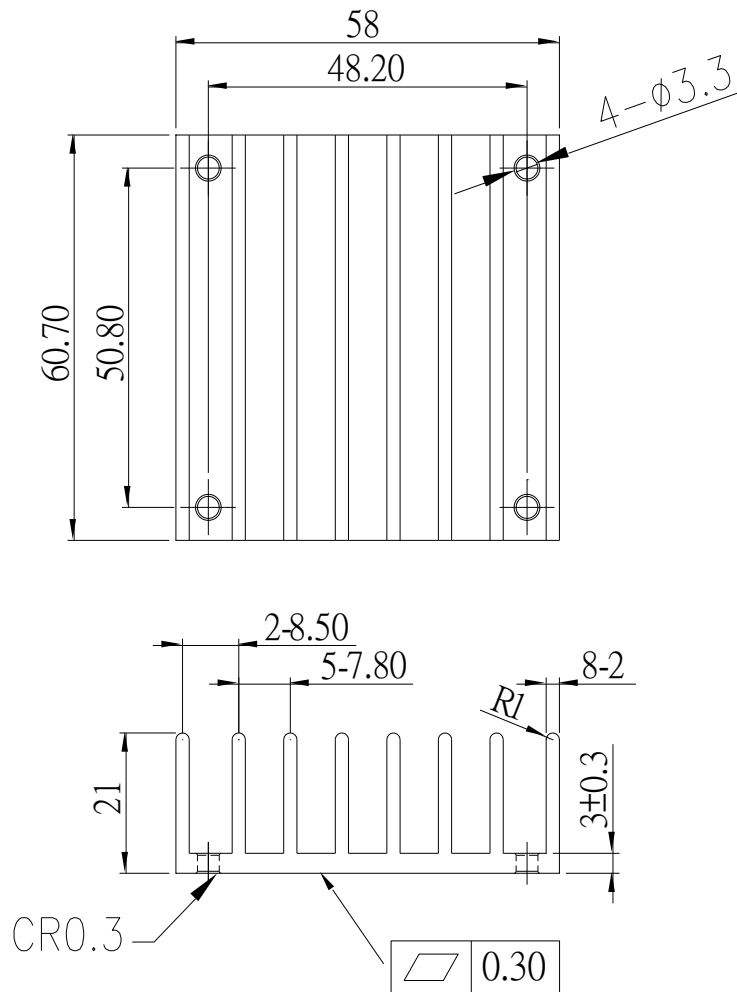
Heatsink : QBL127 (M-C448)
 QBT210 (M-C421)
Thermal Pad PQ01 : SZ35.8x56.9x0.25mm
Screw & Washer K308W : SMP+WS M3x8L
Recommended torque : 4~8 Kgf-cm



HB Case Heatsink

Heat Sink: HBL210 (M-C308) Longitudinal Fins

All Dimensions in mm



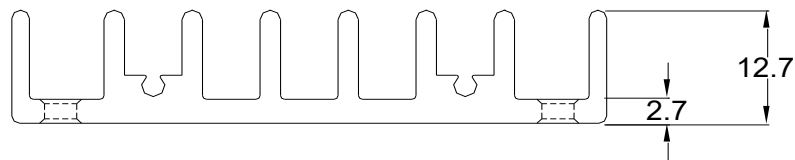
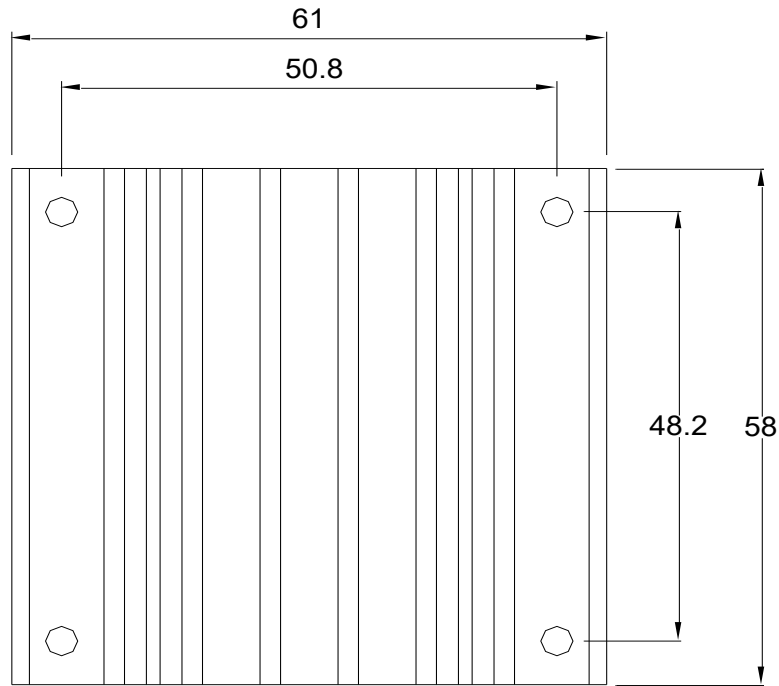
- R_{ca} : 3.9°C/W (typ.), at natural convection
- 1.74°C/W (typ.), at 100LFM
- 1.33°C/W (typ.), at 200LFM
- 1.12°C/W (typ.), at 300LFM
- 0.97°C/W (typ.), at 400LFM



HB Case Heatsink

Heat Sink: HBT127 (M-C091) Transverse Fins

All Dimensions in mm



M-C091

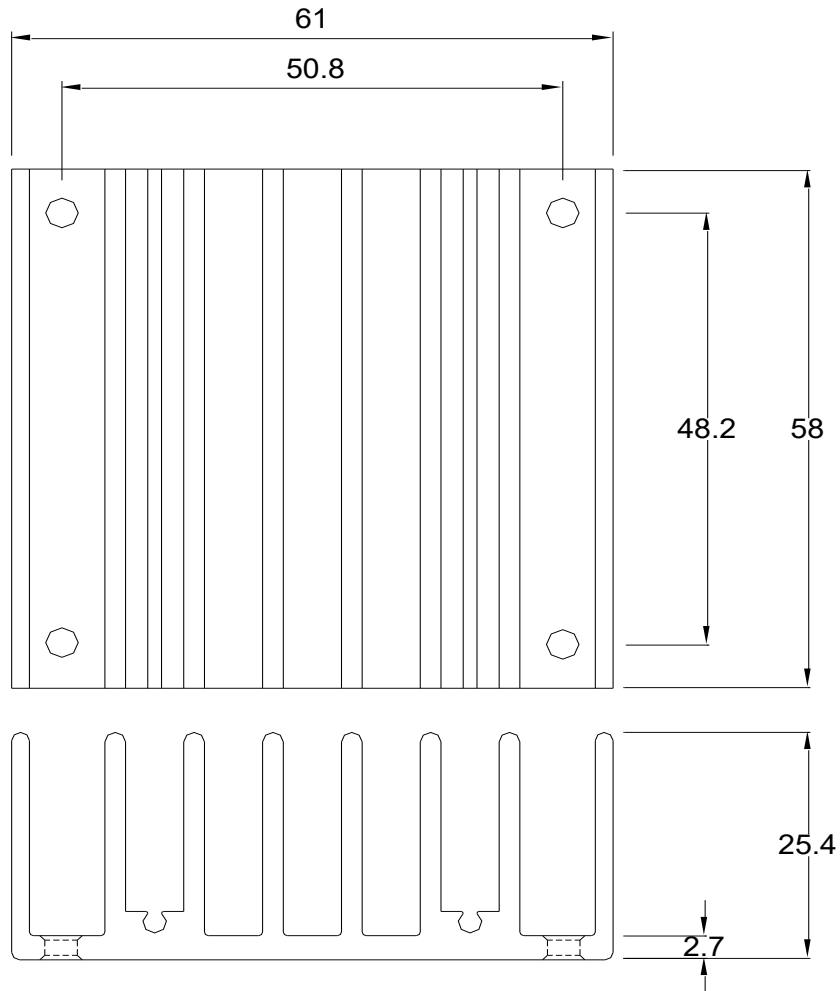
- R_{ca}: 4.7°C/W (typ.), at natural convection
- 2.89°C/W (typ.), at 100LFM
- 2.30°C/W (typ.), at 200LFM
- 1.88°C/W (typ.), at 300LFM
- 1.59°C/W (typ.), at 400LFM



HB Case Heatsink

Heat Sink: HBT254 (M-C092) Transverse Fins

All Dimensions in mm



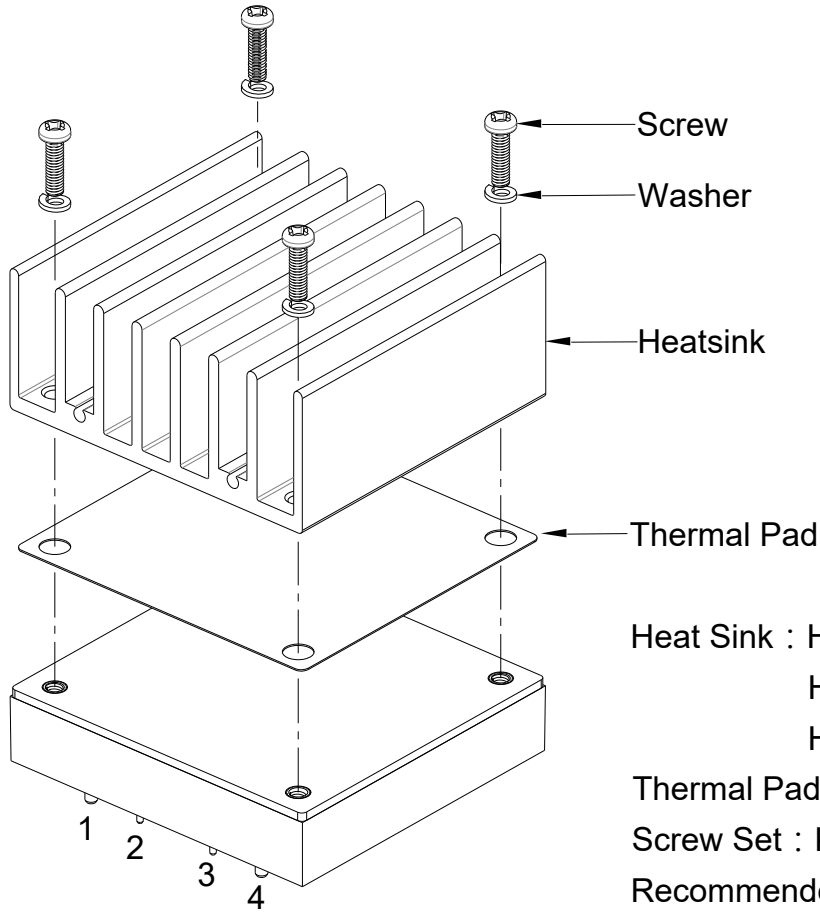
M-C092

- R_{ca}: 3°C/W (typ.), at natural convection
- 1.44°C/W (typ.), at 100LFM
- 1.17°C/W (typ.), at 200LFM
- 1.04°C/W (typ.), at 300LFM
- 0.95°C/W (typ.), at 400LFM



HB Case Heatsink Assembly

**PART NUMBER: HBL210PH01K310W, HBT127PH01K310W,
HBT254PH01K310W**



Heat Sink : HBL210 (M-C308)

HBT127 (M-C091)

HBT254 (M-C092)

Thermal Pad PH01 : 56.9x60x0.25 mm

Screw Set : K308W SMP+SW M3x8mm

Recommended torque : 4~8 Kgf-cm

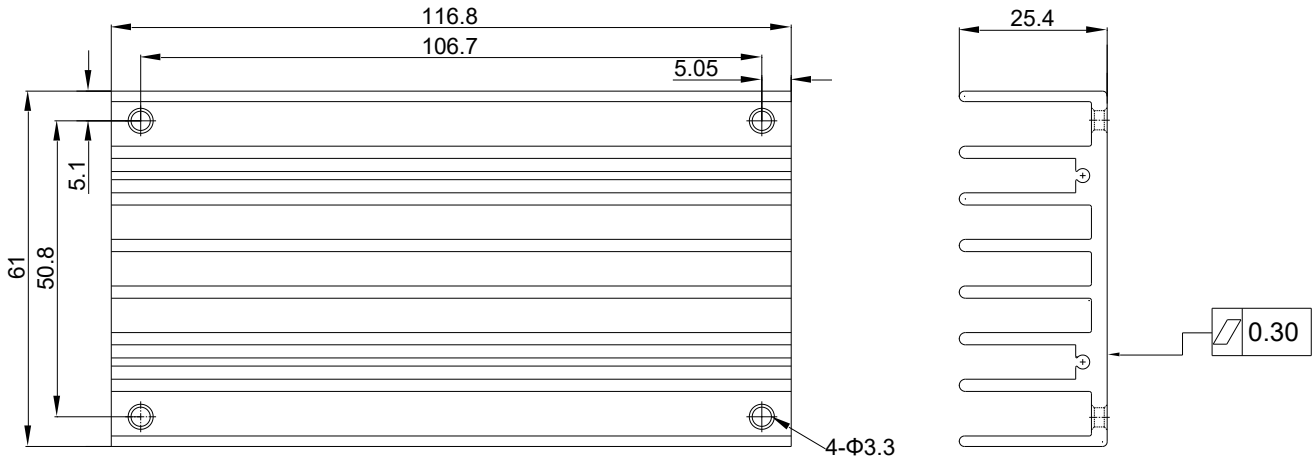


FB Case Heatsink

Heat Sink: FBL254 (M-B012) Longitudinal Fins

****Clear Mounting Inserts $\Phi 3.3$ mm Through****

All Dimensions in mm



- R_{ca} : 2.4°C/W (typ.), at natural convection
1.76°C/W (typ.), at 100LFM
1.17°C/W (typ.), at 200LFM
1.00°C/W (typ.), at 300LFM
0.83°C/W (typ.), at 400LFM

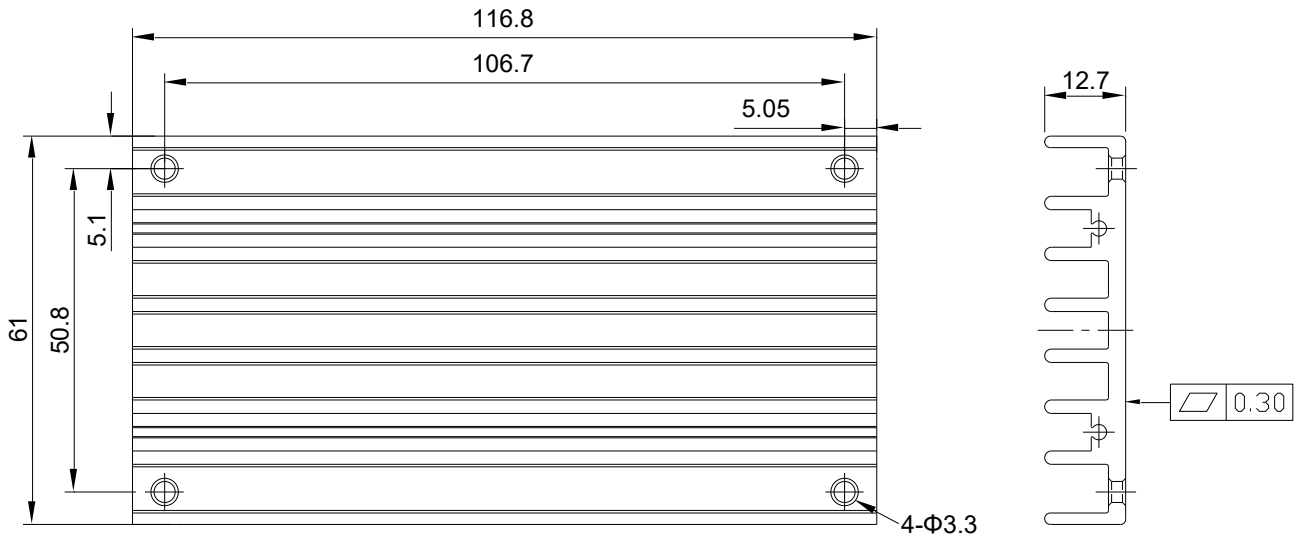


FB Case Heatsink

Heat Sink: FBL127 (M-B011) Longitudinal Fins

****Clear Mounting Inserts $\Phi 3.3$ mm Through****

All Dimensions in mm

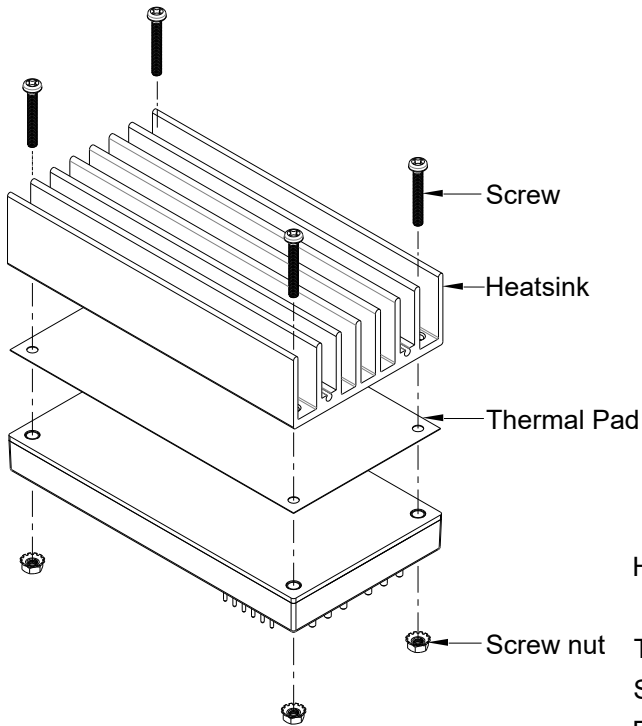


- R_{ca}: 2.7°C/W (typ.), at natural convection
- 2.41°C/W (typ.), at 100LFM
- 1.59°C/W (typ.), at 200LFM
- 1.29°C/W (typ.), at 300LFM
- 1.07°C/W (typ.), at 400LFM



FB Case Heatsink Assembly

PART NUMBER: FBL254PF01K320N, FBL127PF01K320N



Heatsink : FBL254 (M-B012)

FBL127(M-B011)

Thermal Pad PF01 : 60x115.8x0.25mm

Screw Set : K320N M3x20mm + Nut NH+WOM3xP0.5N

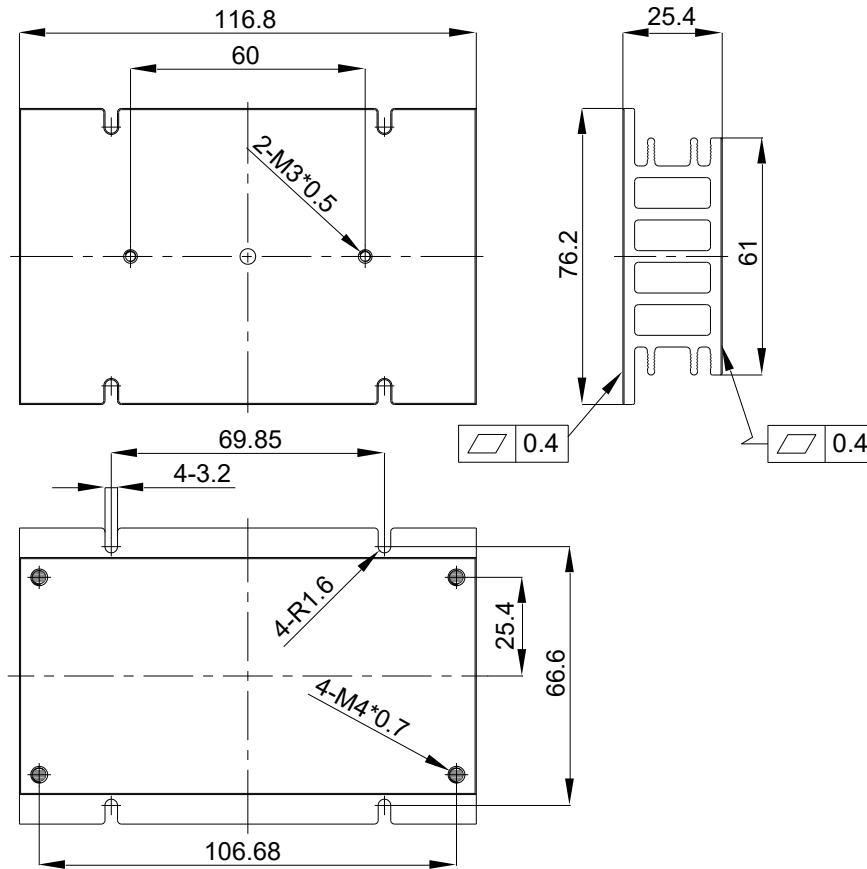
Recommended torque : 4~8 Kgf-cm



QB Case Heatsink Assembly

Heat Sink: CMLH01 (M-C1618) Longitudinal Fins

All Dimensions in mm

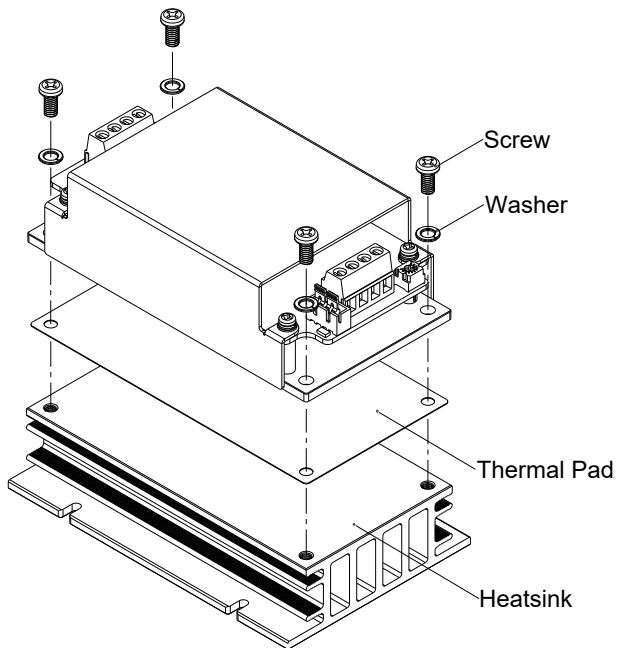


R_{ca} : 2.5°C/W (typ.), at natural convection



QB Case Heatsink Assembly

PART NUMBER: CMLH01PF01K408W



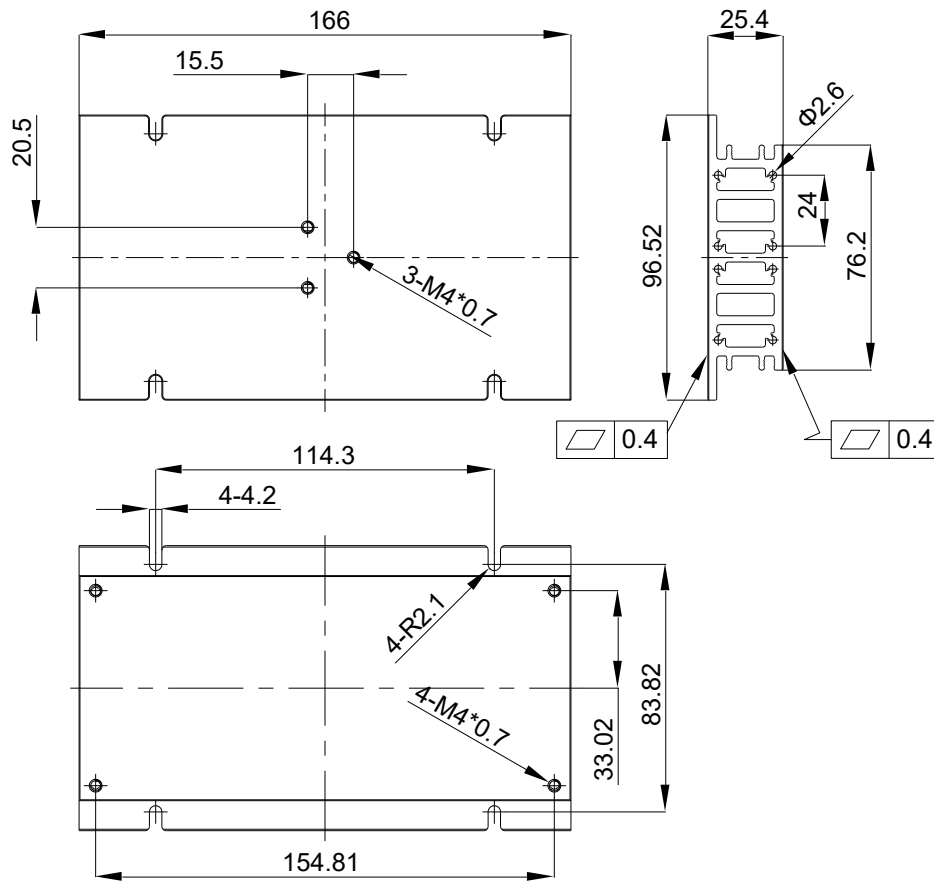
Heatsink : CMLH01 (M-C1618)
Thermal Pad PF01 : PMP-P400 60*115.8*0.23mm
Screw & Washer K408W : SMP4x8N M4*8mm
Recommended torque 4-8 Kgf-cm



HB Case Heatsink

Heat Sink: CMLH02 (M-C1658) Longitudinal Fins

All Dimensions in mm

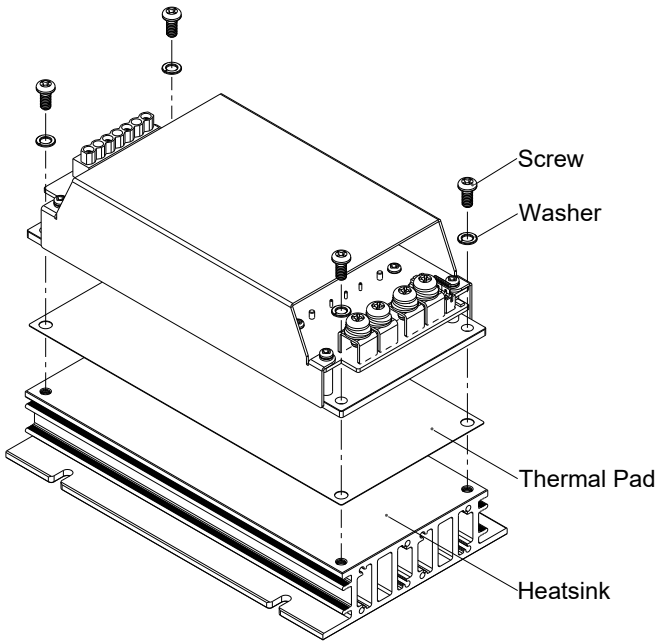


R_{ca} : 1.2°C/W (typ.), at natural convection



HB Case Heatsink Assembly

PART NUMBER: CMLH02PCM02K408W



Heatsink : CMLH02 (M-C1658)

Thermal Pad PCM02 : PMP-P400 164*75*0.25mm

Screw & Washer K408W : SMP4x8N M4*8mm

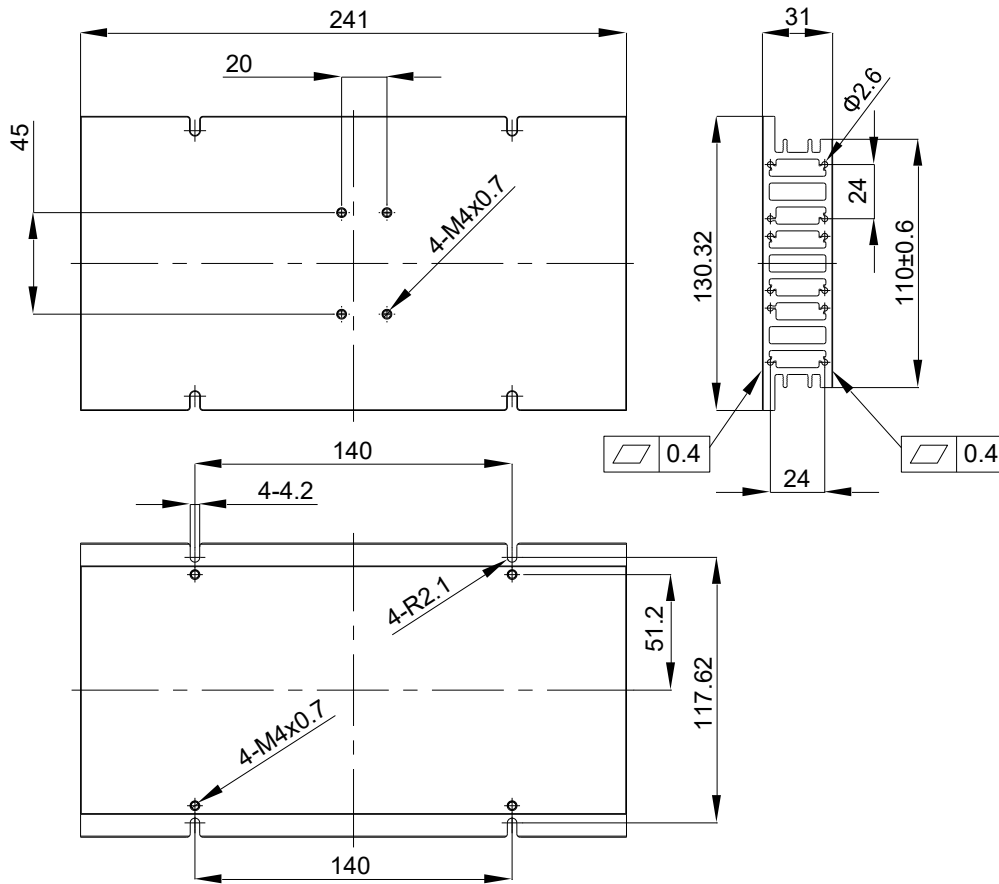
Recommended torque 4-8 Kgf-cm



FB Case Heatsink

Heat Sink: CMLH03 (M-D354) Longitudinal Fins

All Dimensions in mm

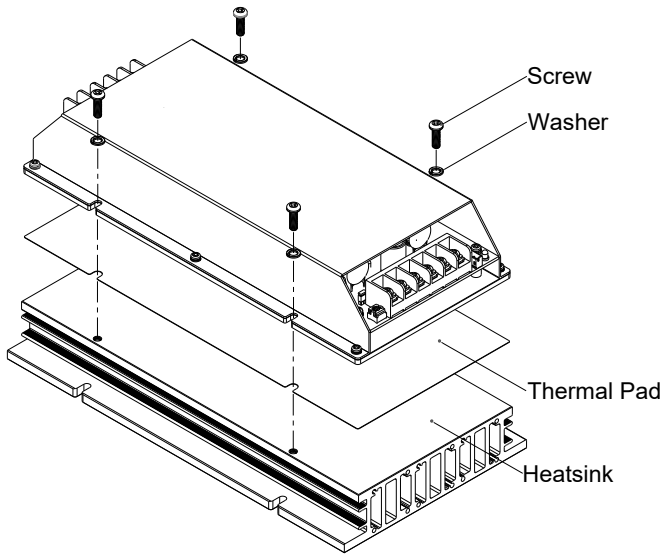


R_{ca} : 0.68°C/W (typ.), at natural convection



FB Case Heatsink Assembly

PART NUMBER: CMLH03PCM03K412N



Heatsink : CMLH03 (M-D354)

Thermal Pad PCM03 : PMP-P400 239*109*0.25mm

Screw & Washer K412N : SMP4x12N M4*12mm

Recommended torque 8 Kgf-cm max.

CINCON Electronics Co. Ltd.
Add: 14F, No. 306, Sec.4, Hsin Yi Rd., Taipei, Taiwan
Tel: 886-2-27086210
Fax: 886-2-27029852
E-mail: sales@cincon.com
Web: www.cincon.com