



33-800WATTS BRICK
DC-DC CONVERTER
Packaging Information

Contents

1. Package Table 2
1. Package Table 3
2. Package Quarter Brick 4
 2-1. 2.28"x1.45"x0.50" 4
 2-2. 2.28"x2.20"x0.50" 4
3. Package Half Brick 5
4. Package Full Brick 5
5. Package 2"x1" 6
6. Package 2"x1.6" 6
7. Package 2.28"x2.40" 7
8. Package 4.41"x1.57" 7
9. Package 4.61"x2.54" 8
10. Package 4.60"x2.40" and 4.60"x2.49" 9
11. Package 6.50"x3.00" and 6.50"x3.09" 9
12. Package 9.45"x4.33" 10
13. Package 4.60"x2.40" 10
14. Package 6.50"x3.00" 11
15. Package 9.45"x3.61" 11
16. Package 4.60"x3.00" 12
17. Package 6.54"x3.80" 12
18. Package 6.98"x3.80" 13
19. Package 9.49"x5.13" 13
20. Package Eighth Brick 14
 20-1. 2.45"x1.05"x0.50" 14
 20-2. 2.45"x1.45"x0.50" 14
21. Package 5.09"x2.28"x1.35" 15

CINCON Electronics Co. Ltd.
Add: 14F, No. 306, Sec.4, Hsin Yi Rd., Taipei, Taiwan
Tel: 886-2-27086210
Fax: 886-2-27029852
E-mail: sales@cincon.com.tw
Web: www.cincon.com



33-800WATTS BRICK
DC-DC CONVERTER
Packaging Information

1. Package Table

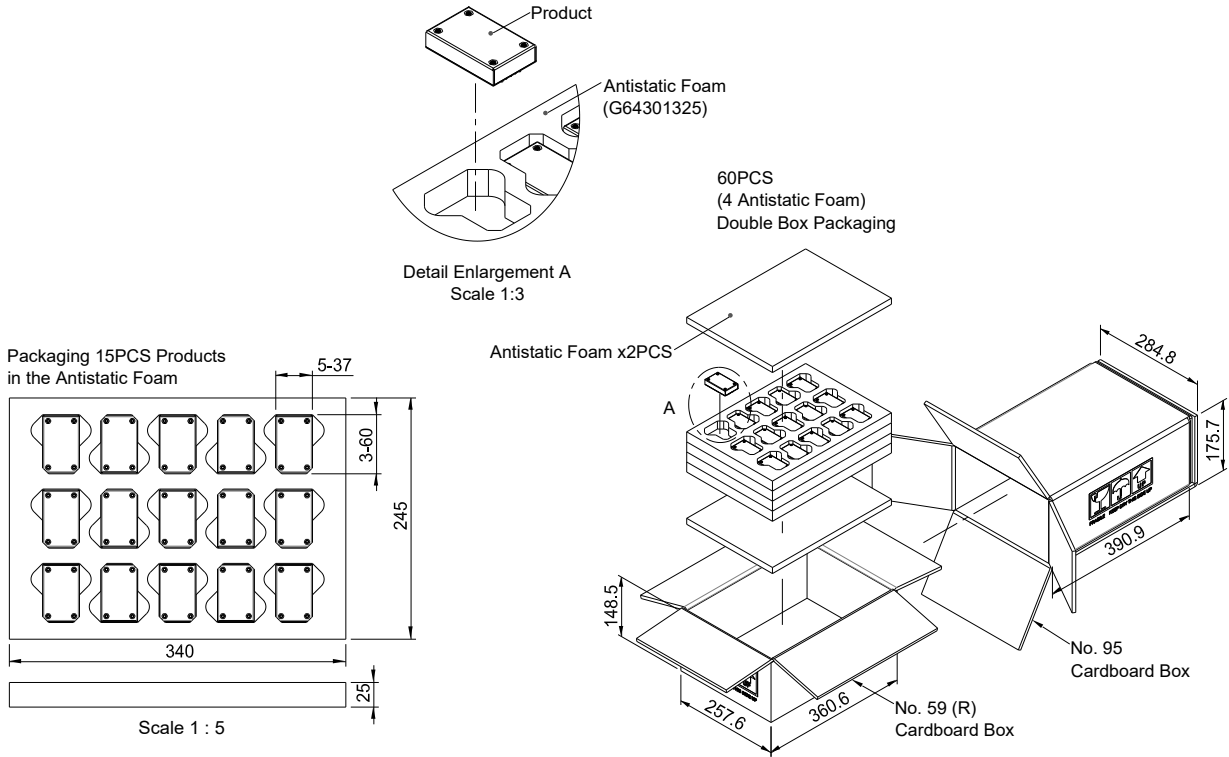
Package	Product Series
2.28"x1.45"x0.50" (Quarter Brick)	CQB Series, CQE50W, FM30R080P, FM05D200P, MF20D075P
2.28"x2.20"x0.50" (Quarter Brick-F)	CQB75-300SXX-F Series
2.28"x2.40"x0.50" (Half Brick)	CHB Series, CHE100W
2.28"x2.40"x0.52" (Half Brick)	
4.60"x2.40"x0.50" (Full Brick)	CFB Series
2"x1" (EMI Filter)	FM10-100
2"x1.6" (EMI Filter)	FM20-100
2.28"x2.40" (EMI Filter)	FM10D200P
4.41"x1.57" (Chassis Mount/DIN Rail)	CQE50W-CM/DIN, CQB75W-CM/DIN, CQB100W-CM/DIN, CQB100-110S-CM/DIN, CQB150W-CM/DIN, CQB150W-110S-CM/DIN
4.61"x2.54" (Chassis Mount/DIN Rail)	CHB50W-CM/DIN, CHB75W-CM/DIN, CHE75W-CM/DIN, CHB100W-CM/DIN, CHE100W-CM/DIN
4.60"x2.40" (CMFC Chassis Mount) 4.60"x2.49" (CMFD Chassis Mount)	CQB Series
6.50"x3.00" (CMFC Chassis Mount) 6.50"x3.09" (CMFD Chassis Mount)	CHB Series
9.45"x4.33" (CMFD Chassis Mount)	CFB Series
4.60"x2.40" (EVB-CQB Series)	EVB-CQB150(100)W-110S, EVB-CQB150-300S, EVB-CQB75-300S, EVB-CQB75(50)W8-36S, EVB-CQB50W12-72S
6.50"x3.00" (EVB-CHB Series)	EVB-CHB300-300S, EVB-CHB300(200)W-110S
9.45"x3.61" (EVB-CFB Series)	EVB-CFB750-300S
4.60"x3.00" (CMFD Chassis Mount with Heat Sink/DIN Rail with Heat Sink)	CQB-CMFD+HS(HD) Series



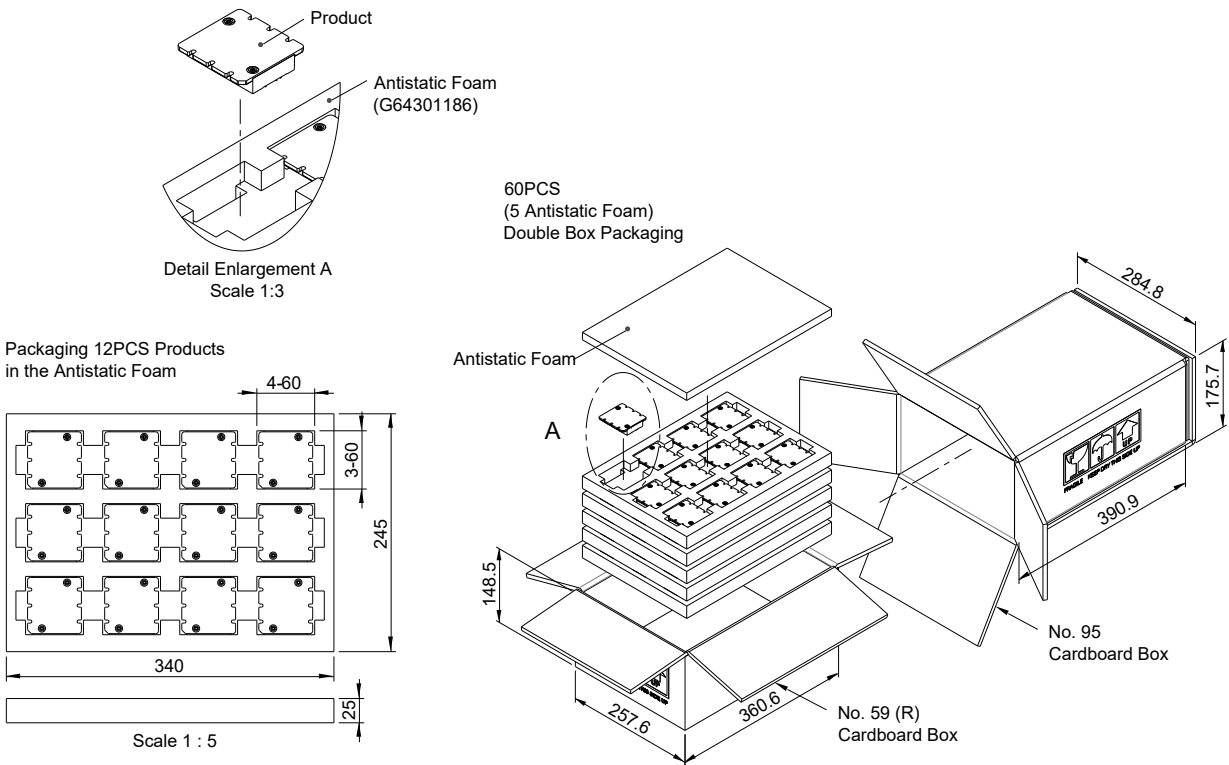
33-800WATTS BRICK DC-DC CONVERTER Packaging Information

2. Package Quarter Brick

2-1. 2.28"x1.45"x0.50"



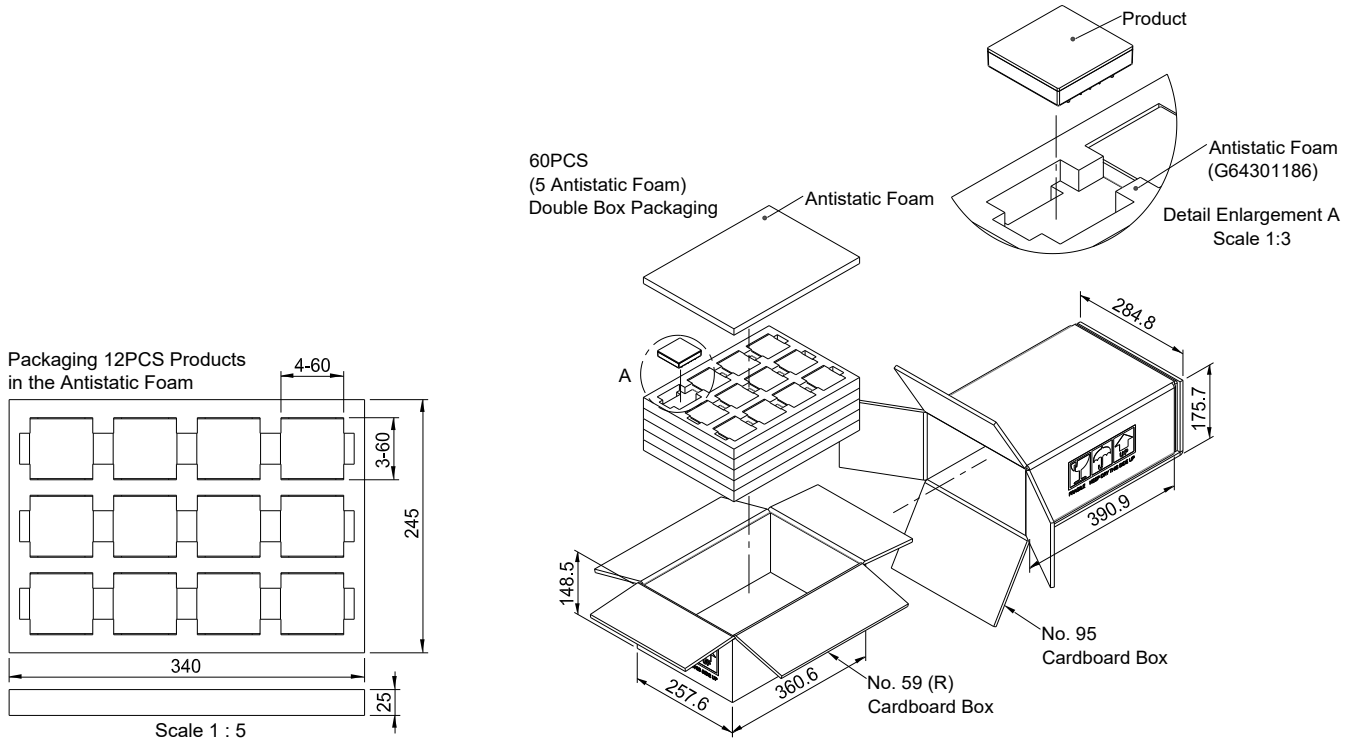
2-2. 2.28"x2.20"x0.50"



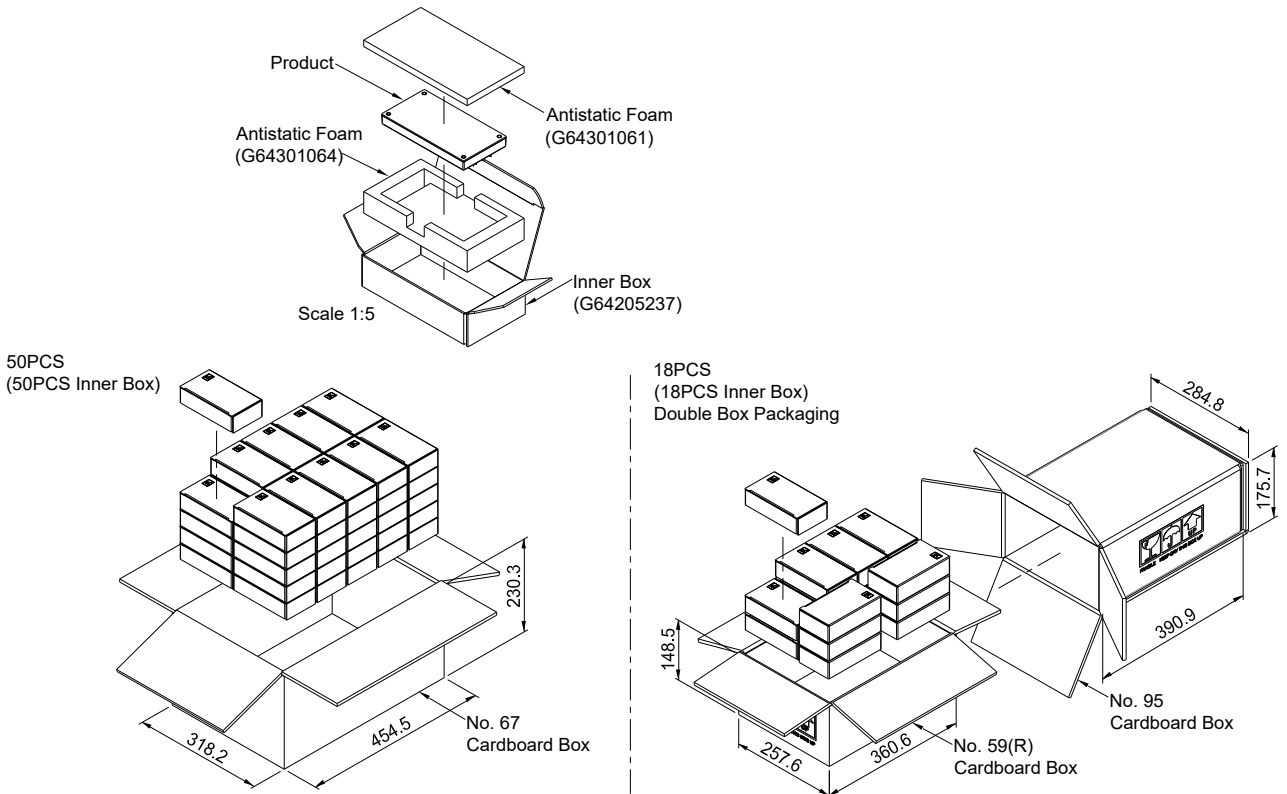


33-800WATTS BRICK DC-DC CONVERTER Packaging Information

3. Package Half Brick



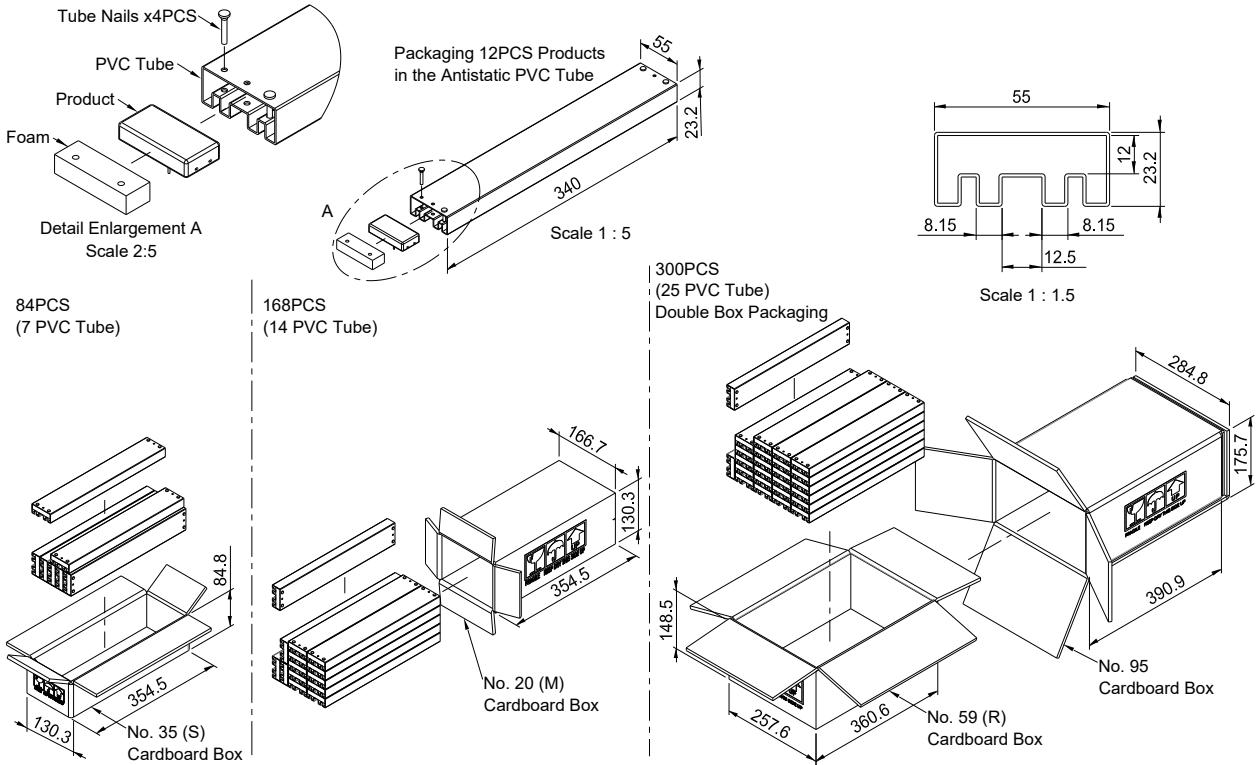
4. Package Full Brick



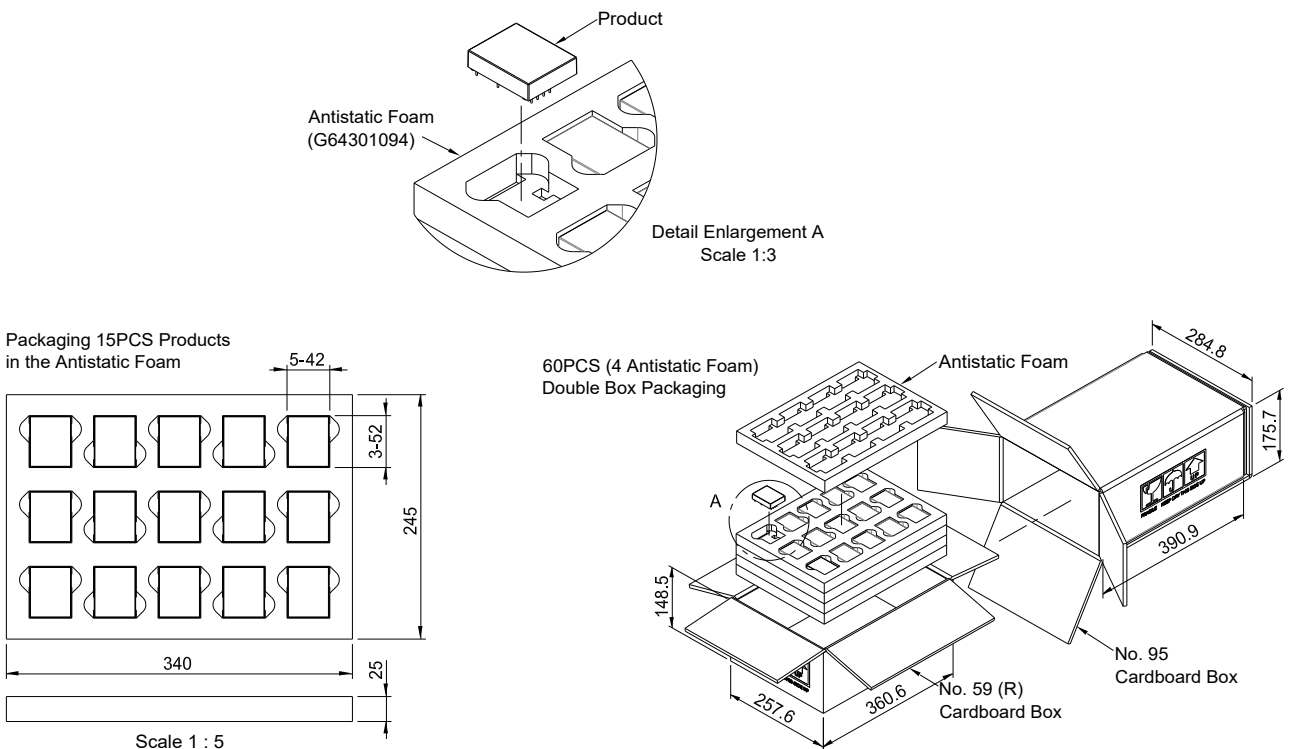


33-800WATTS BRICK DC-DC CONVERTER Packaging Information

5. Package 2"x1"



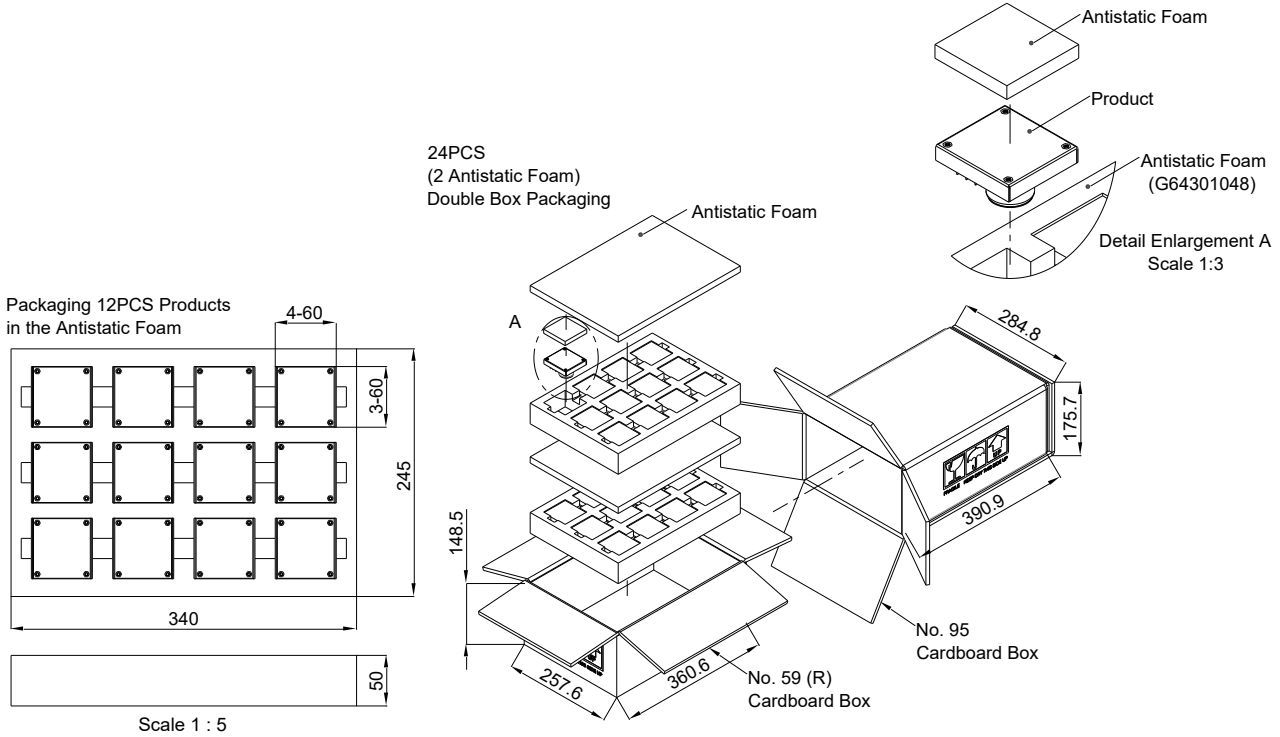
6. Package 2"x1.6"



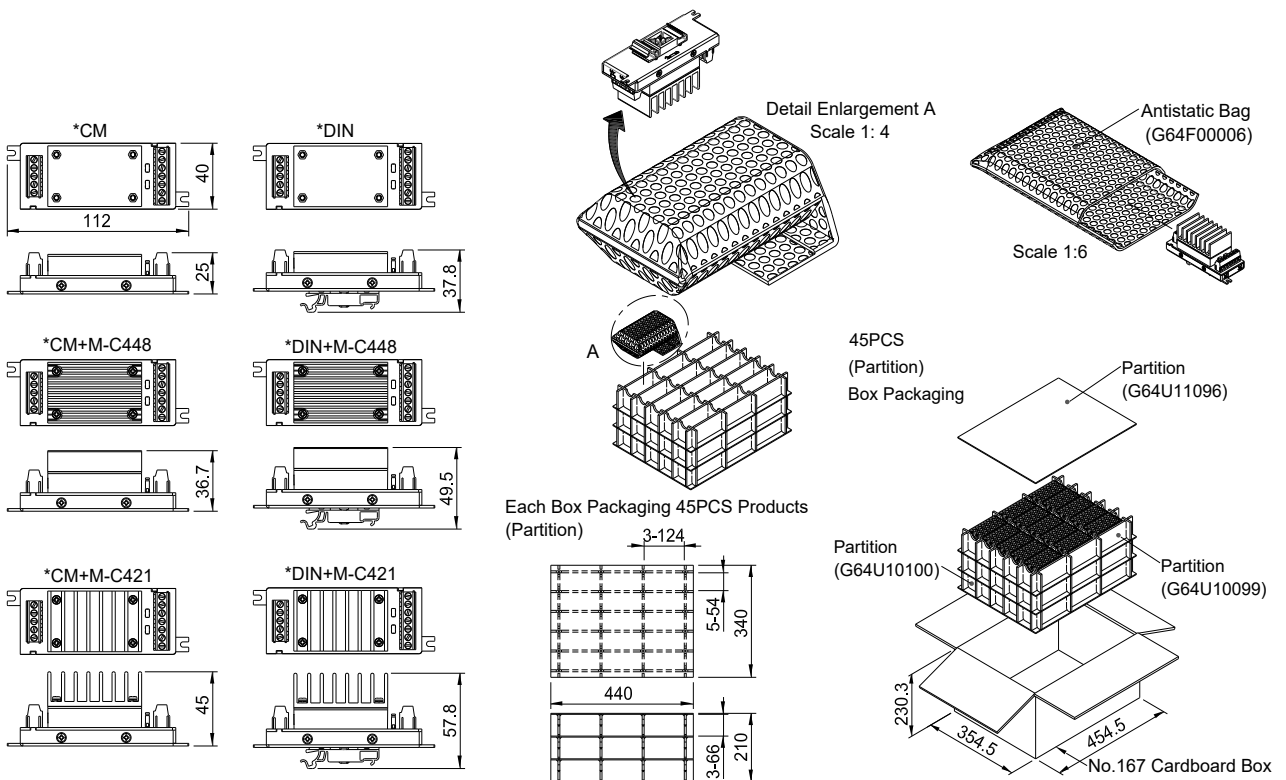


33-800WATTS BRICK DC-DC CONVERTER Packaging Information

7. Package 2.28"x2.40"



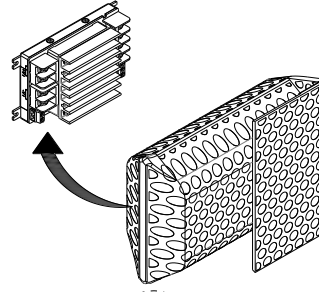
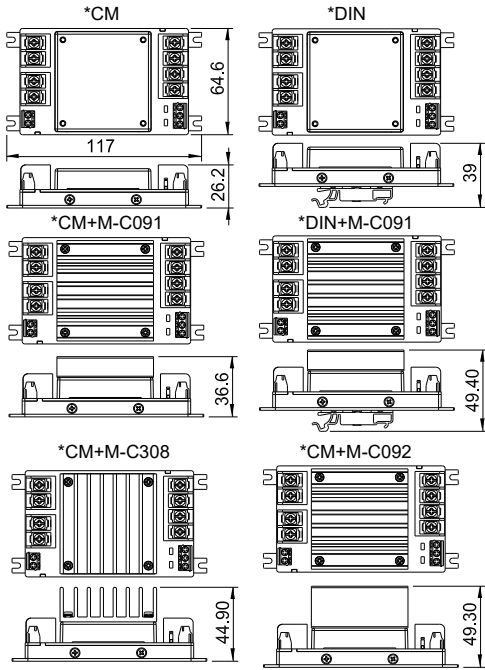
8. Package 4.41"x1.57"



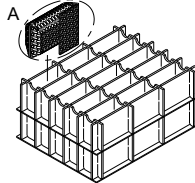
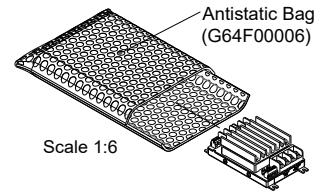


33-800WATTS BRICK DC-DC CONVERTER Packaging Information

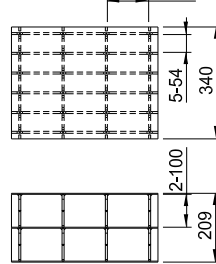
9. Package 4.61"x2.54"



Detail Enlargement A
Scale 1: 4

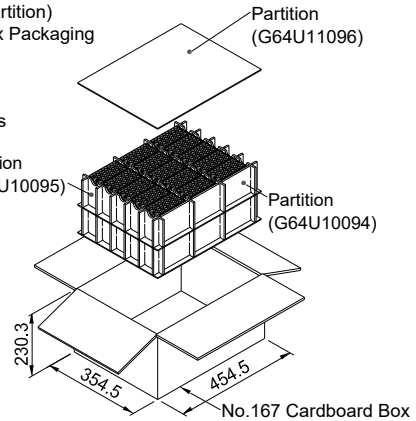


Each Box Packaging 30PCS Products (Partition)

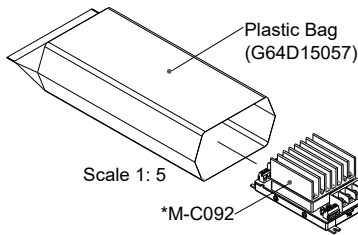
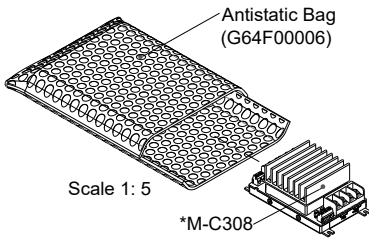


30PCS (Partition) Box Packaging

Partition (G64U10095)

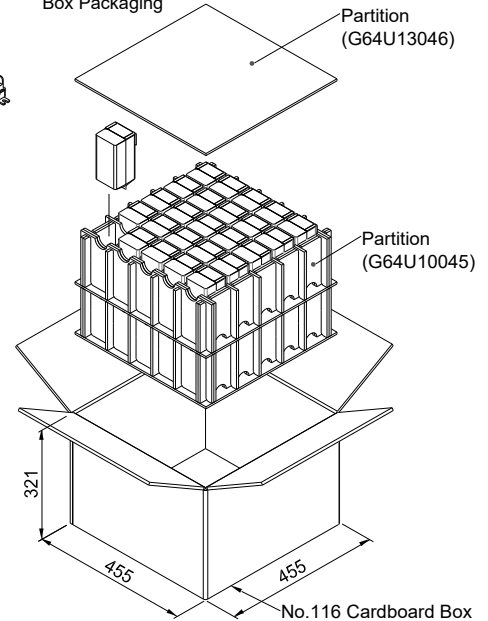


No.167 Cardboard Box

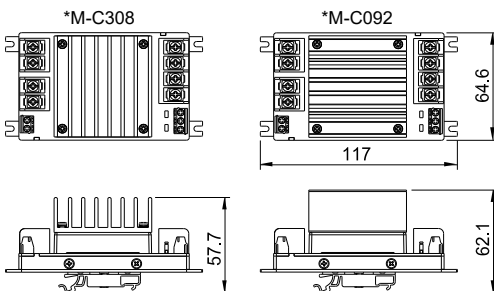


50PCS (Partition) Box Packaging

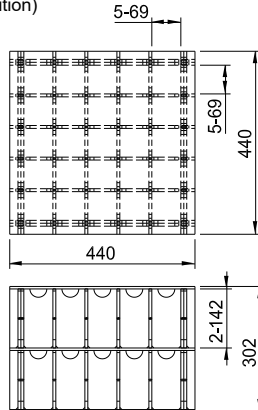
Partition (G64U13046)



No.116 Cardboard Box



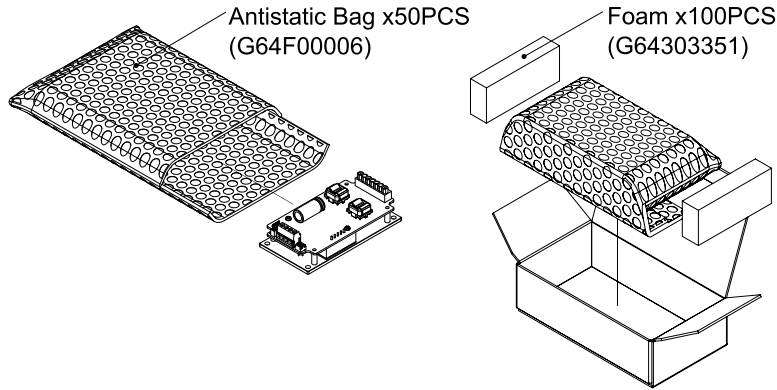
Each Box Packaging 50PCS Products (Partition)



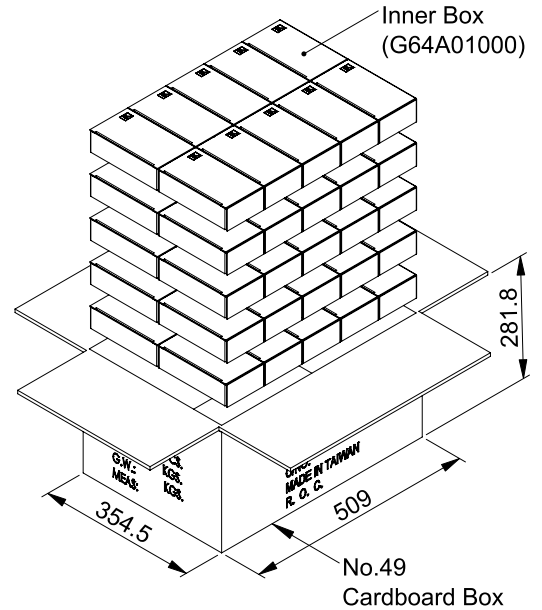
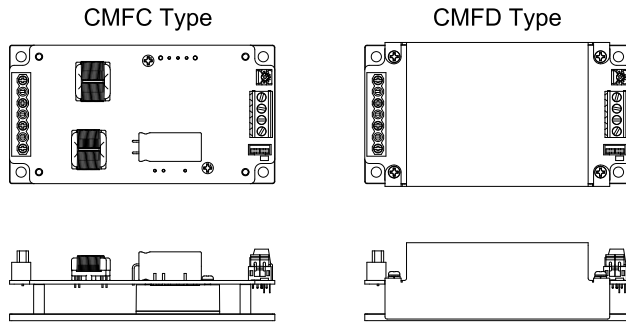


33-800WATTS BRICK DC-DC CONVERTER Packaging Information

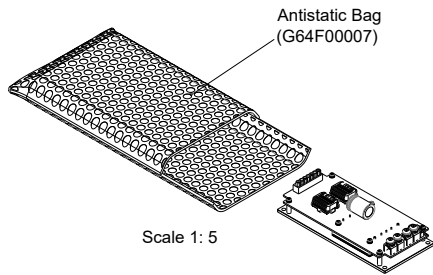
10. Package 4.60"x2.40" and 4.60"x2.49"



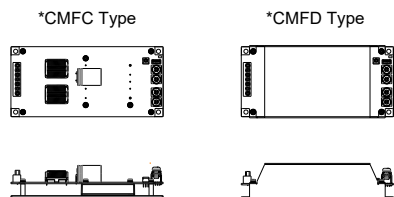
50PCS
(50PCS Inner Box)
Box Packaging



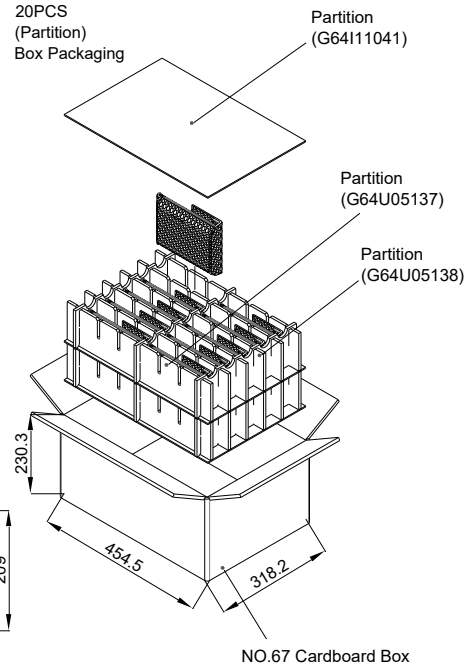
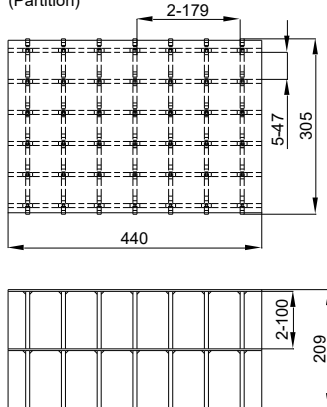
11. Package 6.50"x3.00" and 6.50"x3.09"



20PCS
(Partition)
Box Packaging



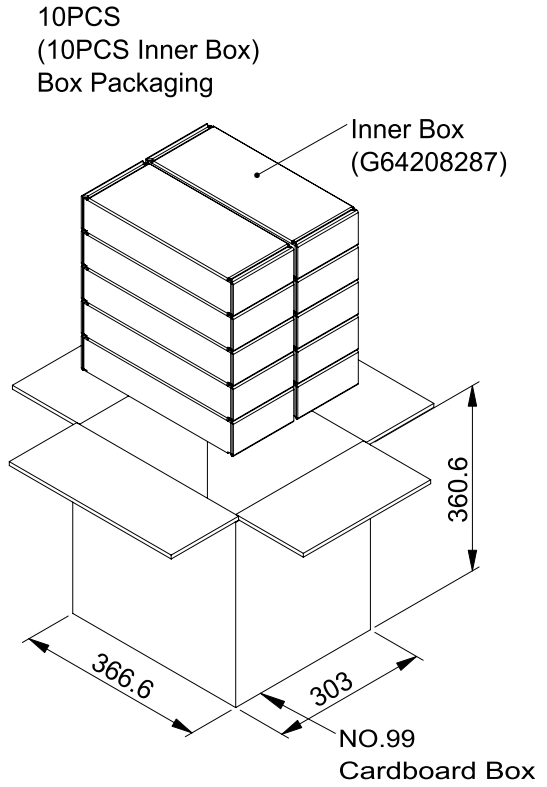
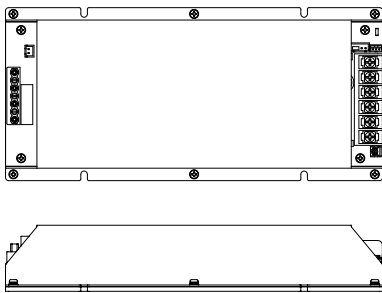
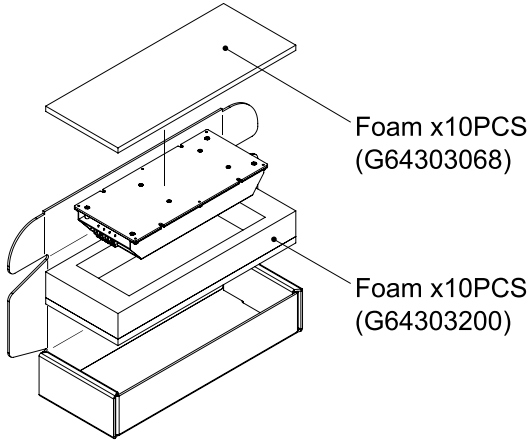
Each Box Packaging 20PCS Products
(Partition)



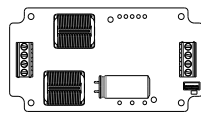
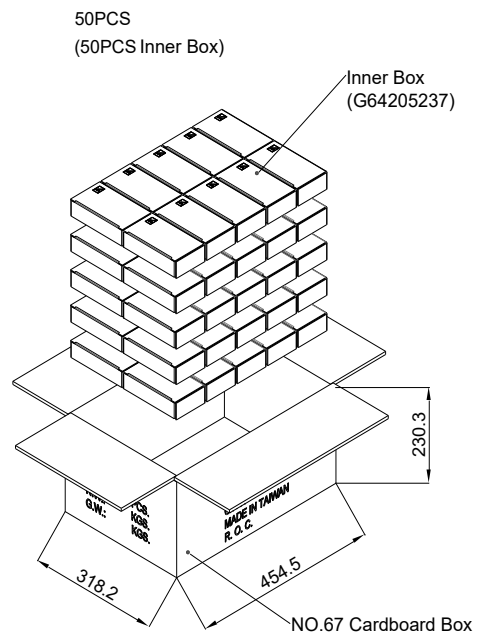
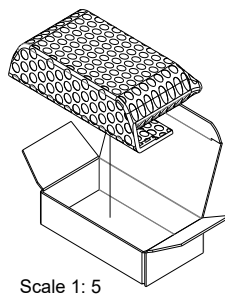
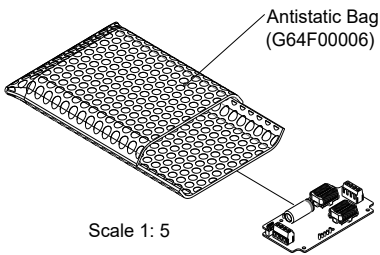


33-800WATTS BRICK DC-DC CONVERTER Packaging Information

12. Package 9.45"x4.33"



13. Package 4.60"x2.40"

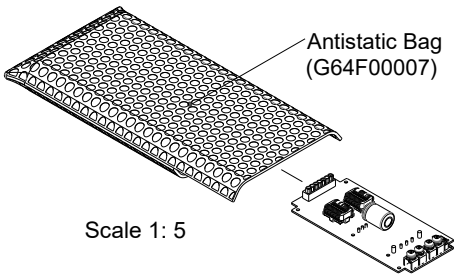


Scale 1: 3

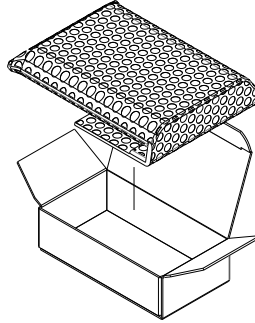


33-800WATTS BRICK DC-DC CONVERTER Packaging Information

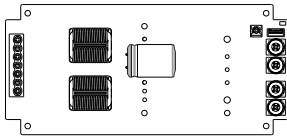
14. Package 6.50"x3.00"



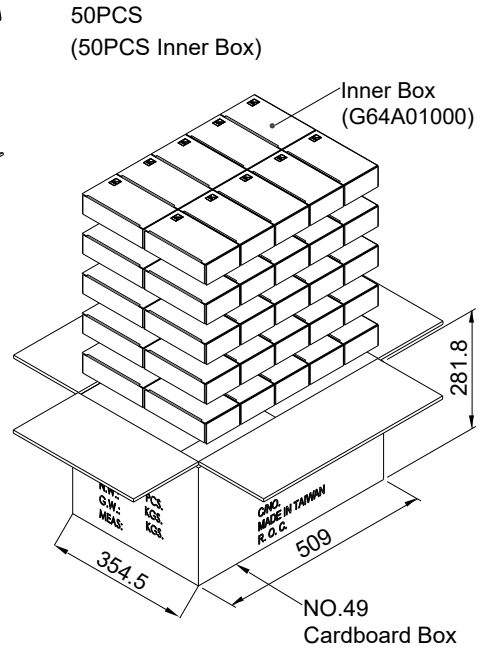
Scale 1: 5



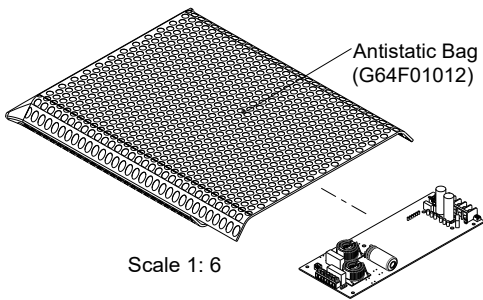
Scale 1: 5



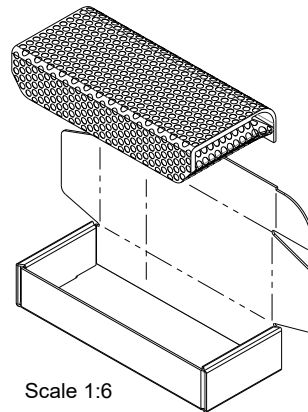
Scale 1: 3



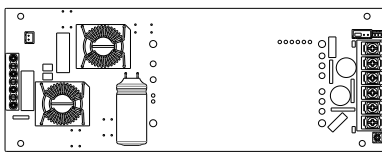
15. Package 9.45"x3.61"



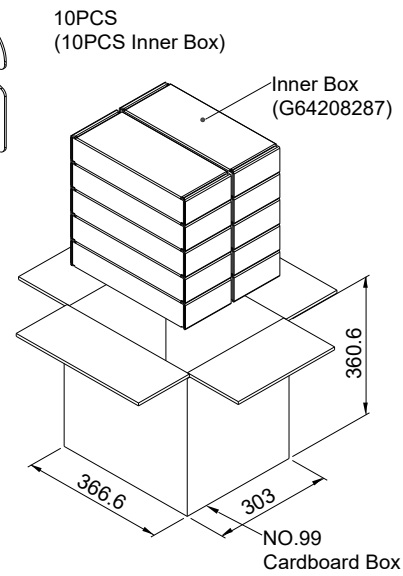
Scale 1: 6



Scale 1:6



Scale 1: 3

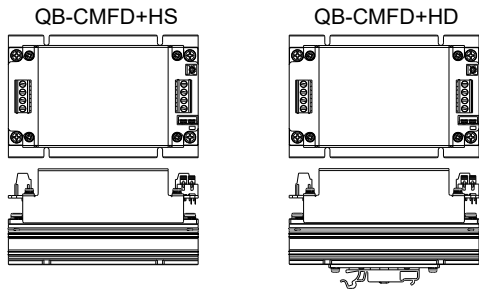
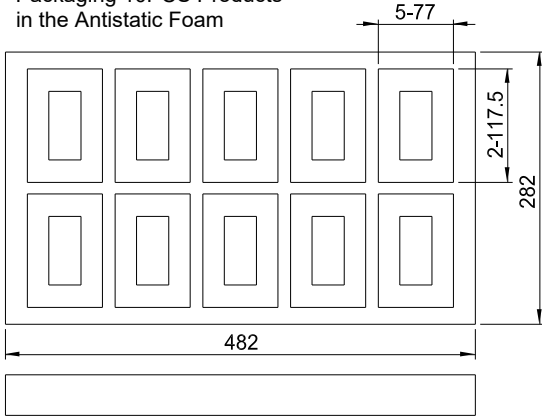




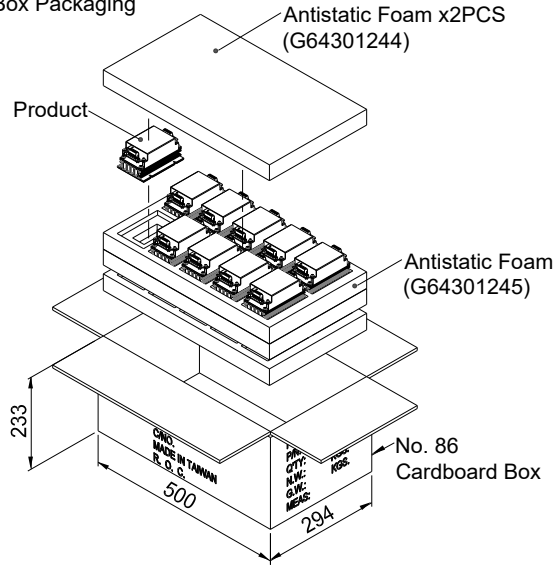
33-800WATTS BRICK DC-DC CONVERTER Packaging Information

16. Package 4.60"x3.00"

Packaging 10PCS Products
in the Antistatic Foam

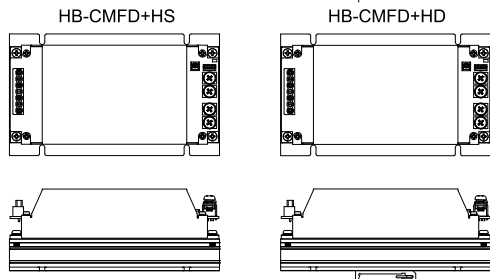
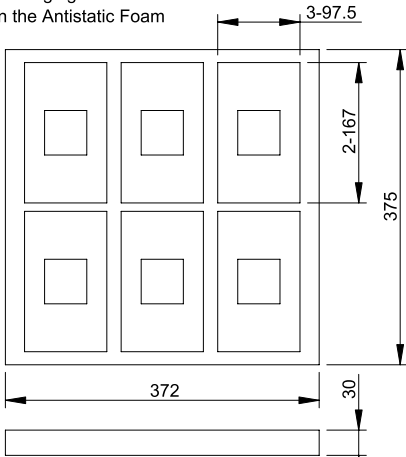


20PCS
(2PCS Antistatic Foam)
Box Packaging

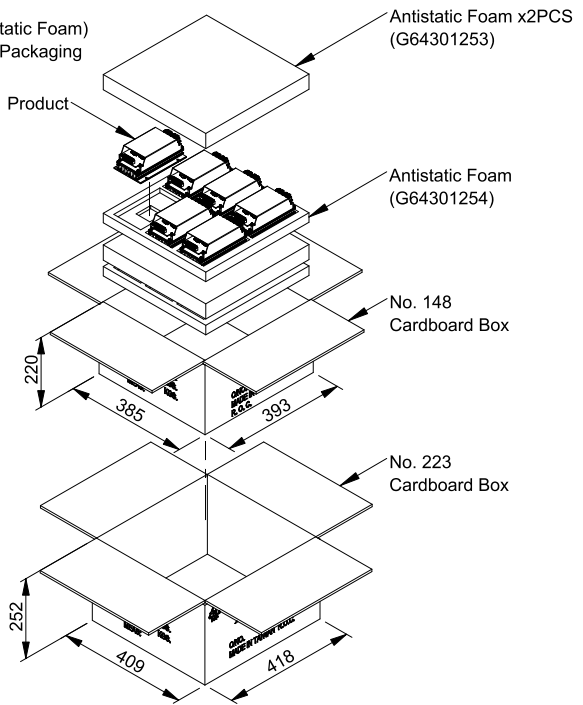


17. Package 6.54"x3.80"

Packaging 6PCS Products
in the Antistatic Foam



12PCS
(2PCS Antistatic Foam)
Double Box Packaging

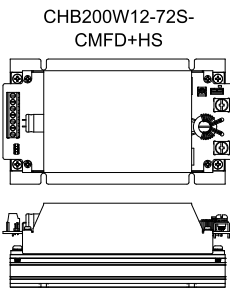
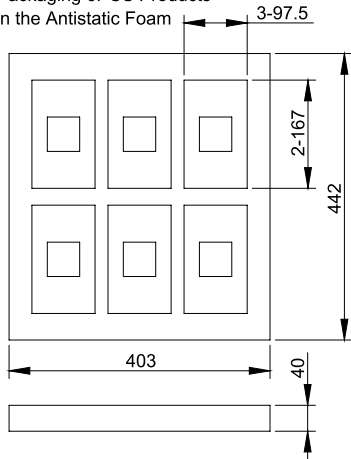




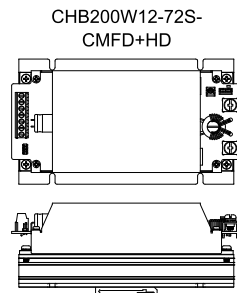
33-800WATTS BRICK DC-DC CONVERTER Packaging Information

18. Package 6.98"x3.80"

Packaging 6PCS Products
in the Antistatic Foam

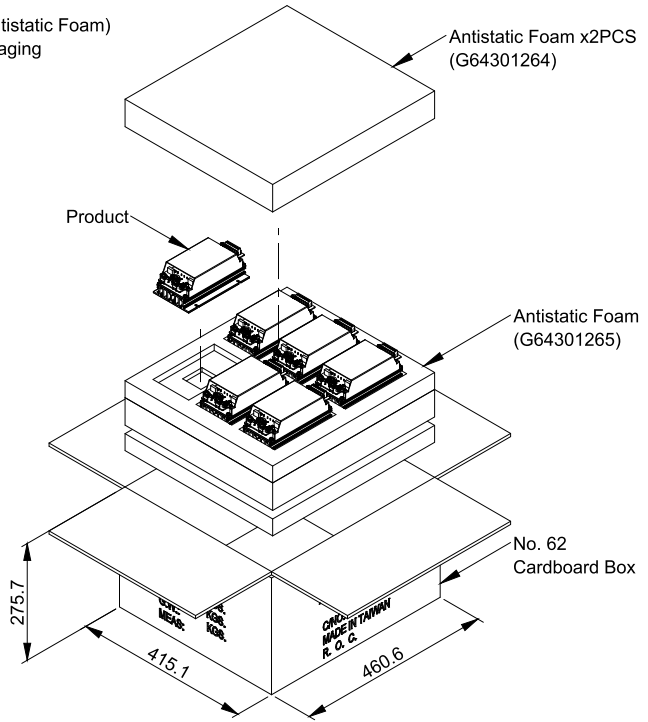


CHB200W12-72S-
CMFD+HS



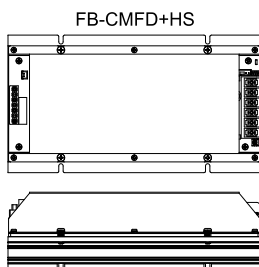
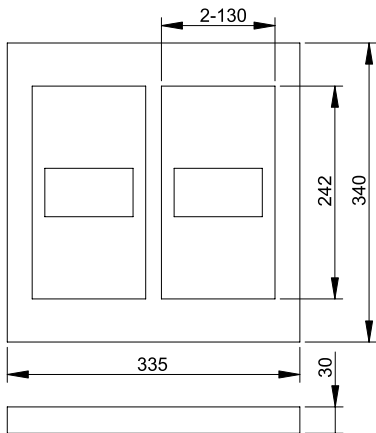
CHB200W12-72S-
CMFD+HD

12PCS
(2PCS Antistatic Foam)
Box Packaging

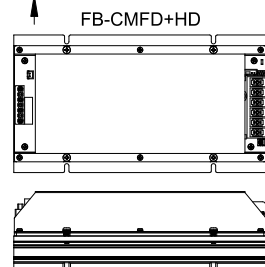


19. Package 9.49"x5.13"

Packaging 2PCS Products
in the Antistatic Foam

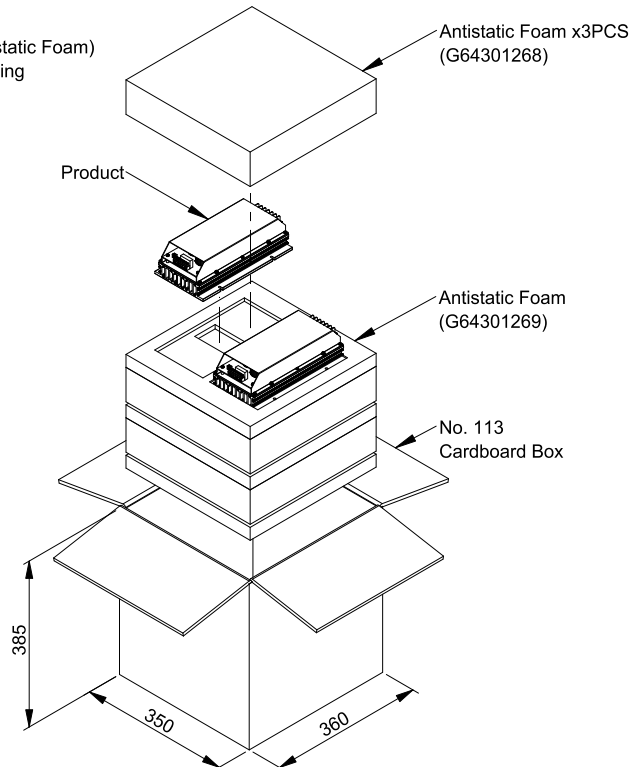


FB-CMFD+HS



FB-CMFD+HD

6PCS
(3PCS Antistatic Foam)
Box Packaging

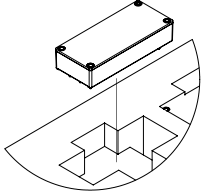




33-800WATTS BRICK DC-DC CONVERTER Packaging Information

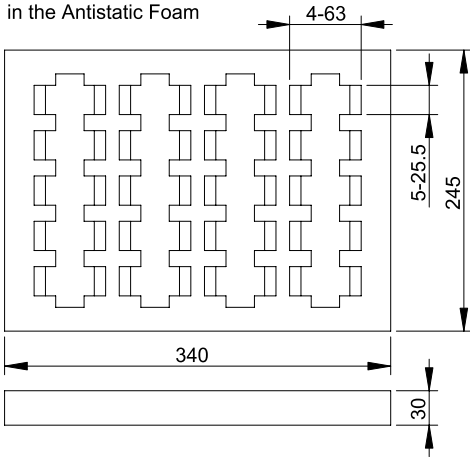
20. Package Eighth Brick

20-1. 2.45"x1.05"x0.50"

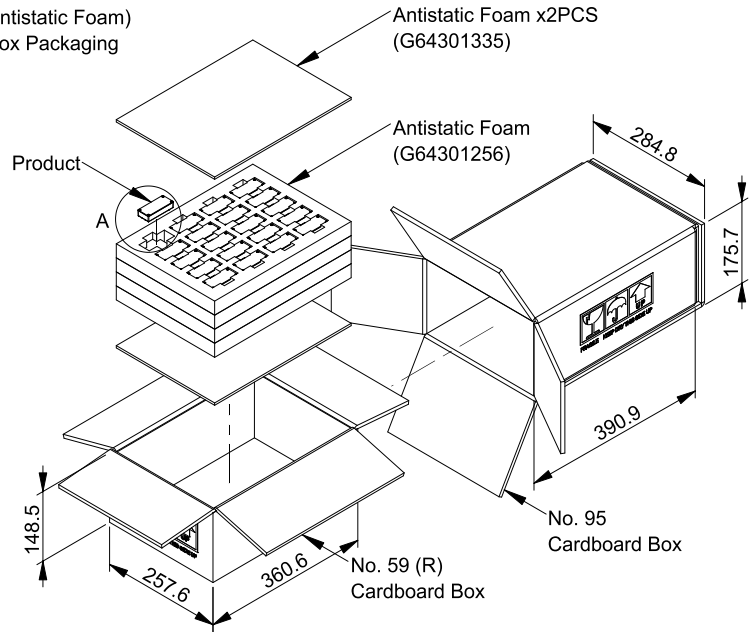


Detail Enlargement A

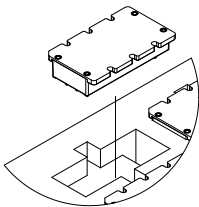
Packaging 20PCS Products
in the Antistatic Foam



80PCS
(4 PCS Antistatic Foam)
Double Box Packaging

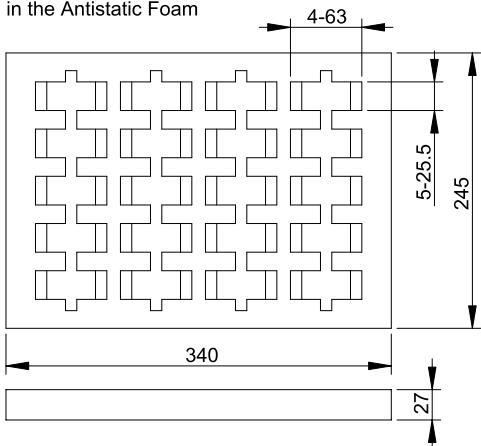


20-2. 2.45"x1.45"x0.50"

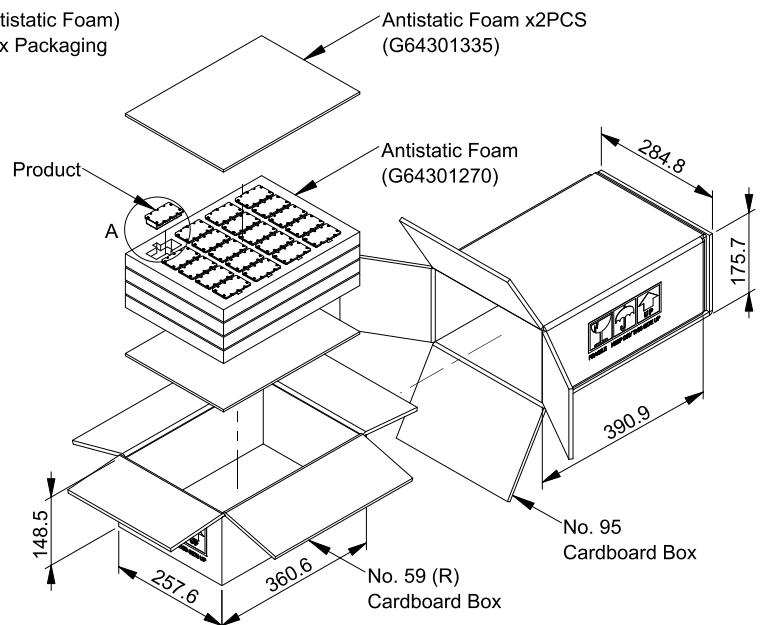


Detail Enlargement A

Packaging 20PCS Products
in the Antistatic Foam



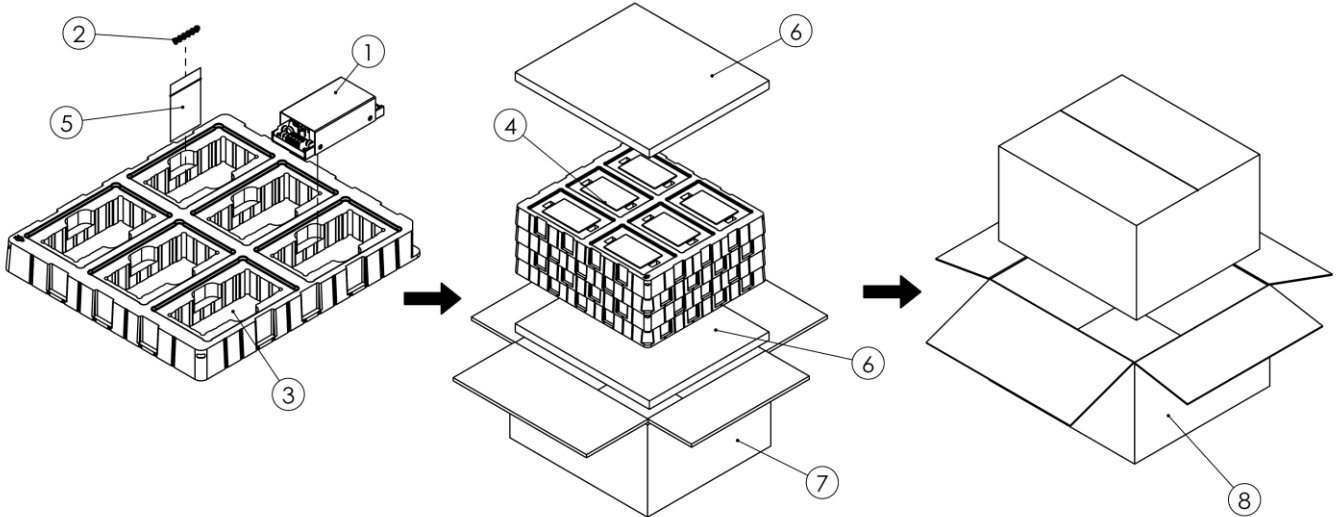
80PCS
(4 PCS Antistatic Foam)
Double Box Packaging





33-800WATTS BRICK DC-DC CONVERTER Packaging Information

21. Package 5.09"x2.28"x1.35"



ITEM	PART NO.	NAME	OUTSIDE DIM(mm)	PCS
1	-	CRT100W12 Product	129.4x57.9x34.2	24
2	G75V2200000	Screw	M3.5x0.6	24
3	G64G20XXX	Antistatic Plastic blister	368.4x328.4x41.4	4
4	G64G20XXX	Antistatic Plastic blister	370x330x42.2	4
5	GT4101	Zipper Bag	70x50x0.04	4
6	G64301188	Antistatic Foma	370x330x20	2
7	G64114396	No.205 Inner Cardboard Box	380x340x220	1
8	G64114291	No.112 Cardboard Box	403x373x240	1

Each Box Packaging 24 PCS Products
Gross weight Ref. 10.5 Kg