



LOW POWER 1-75W DC-DC CONVERTER Packaging Information

Contents

1. Package SIP 4	3
1-1. 0.46x0.24x0.40 Inch (EC1TA0XN/1XN)	3
1-2. 0.46x0.30x0.40 Inch (EC1TA2XN)	3
2. Package SIP7	4
2-1. 0.77x0.24x0.40 Inch (EC1SA0XN/1XN)	4
2-2. 0.77x0.28x0.40 Inch (EC1SA2XN/2SAN/2SANH)	4
3. Package SIP8	5
3-1. 0.86x0.36x0.44 (EC2SA3SA3SAW/4SAW/2SAW8/3SAW8/4SAW8) & 0.87x0.37x0.47 Inch (EC5SAW)	5
4. Package DIP16	5
4-1. 0.95x0.54x0.39 Inch (EC5DAW/4DAW)	5
5. Package DIP24	6
5-1. 1.25x0.80x0.40 Inch	6
(EC2A/3A/3AE/3A-E/3AW/4A/4A-E/4AWEC4AW-H6/5A/6A/6AW/7A/8AW/7AW/3AW8/4AW8)	6
5-2. 1.25x0.80x0.50 Inch (EC3AB/4AB/6AW-110/7AW18)	6
6. Package 1"x1" (EC2SB/2SBW/3SB/3SBW/4SBW/5SBW/2SBW-H)	7
7. Package 2"x1"	7
(EC3B/3BB/4BE/4BW/4BU/5BE/5BW/5BU/7B/7BWEC7BW-110/9BW/7BW18)	7
8. Package 2.05"x1.2" (ECLB40W/40W-110/60/60W/75W/ECB40W18)	8
9. Package 2"x1.6" (EC1SC/3SCW)	8
10. Package 2"x2" (EC3C/3CB/5C/6C/7C)	9
11. Package 2.56"x3" (EC6E)	9
12. Package SMD	10
12-1. 0.54x0.36x0.29 Inch (EC1SA0XNS/1XNS Single)	10
12-2. 0.64x0.36x0.29 Inch (EC1SA0XNS/1XNS Dual)	10
12-3. 1.00x1.00x0.36 Inch (EC2SBXX-XXS/EC3SBXX-XXS)	11
13. Package SMD24	11
13-1. 1.25x0.80x0.45 (EC2A/3A/3AE//3AW/4A//4AW/5A/6A/6AW/7AXX(MS/HMS)	11
1.25x0.80x0.41 Inch (EC3A-E/EC4A-E(S/HS/MS/HMS)	11
13-2. 1.25x0.80x0.55 Inch (EC3AB/4ABXX(MS/HMS)	12

CINCON Electronics Co. Ltd.
Add: 14F, No. 306, Sec.4, Hsin Yi Rd., Taipei, Taiwan
Tel: 886-2-27086210
Fax: 886-2-27029852
E-mail: sales@cincon.com
Web: www.cincon.com



LOW POWER 1-75W
DC-DC CONVERTER
Packaging Information

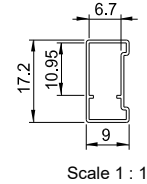
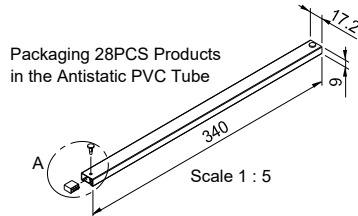
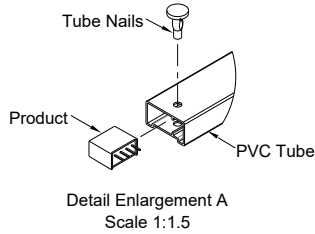
14. Package Enclosed Chassis Mount/DIN Rail 13
 14-1. 4.45x2.33x0.85 & 4.45x2.33x1.43 Inch (EC7BW18-72 ECRT/EDRT) 13
 14-2. 4.00x2.14x0.80 & 4.00x2.14x1.38 Inch (EC7AW18-72 ECRT/EDRT) 13
 14-3. 5.63x2.56x0.87 & 5.63x2.56x1.54 Inch (ECB40W18 ECRT/EDRT) 14
 14-4. 5.63x2.56x1.42 & 5.63x2.56x2.05 Inch (ECB40W18 ECRT/EDRT+FBL127) 14
15. Package Chassis Mount/DIN Rail 15
 15-1. 3.04x1.48x1.20 (EC5SBW CMF) & 3.04x1.48x1.71 Inch (EC5SBW DMF) 15
16. Package SIP3 15
 16-1. 0.48x0.34x0.69 Inch (NCS01W8) 15
17. Package 3.10"x1.60"x1.134" 16
 17-1 HFM12-1500 16
 17-2 HFM12-1500P 16
18. Package 2.09"x1.19"x0.976" 17
 18-1 HFM14-1500 17
 18-2 HFM14-1500P 17



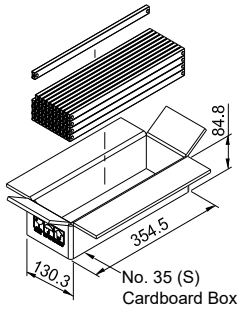
LOW POWER 1-75W DC-DC CONVERTER Packaging Information

1. Package SIP 4

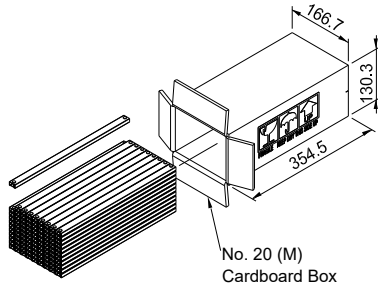
1-1. 0.46x0.24x0.40 Inch (EC1TA0XN/1XN)



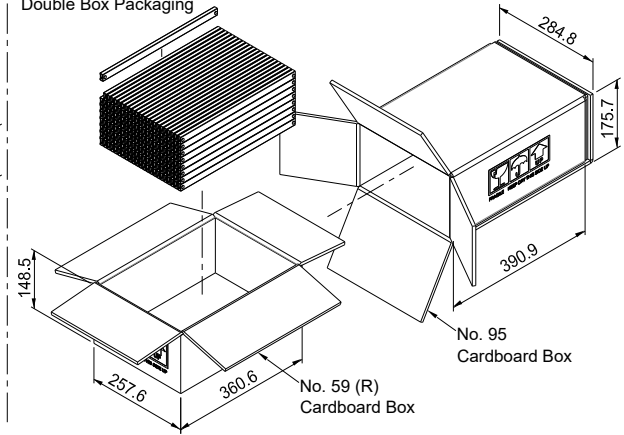
1232PCS
(44 PVC Tube)



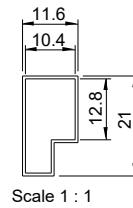
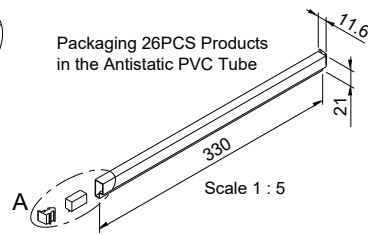
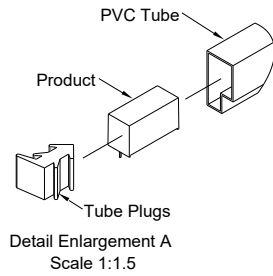
2772PCS
(99 PVC Tube)



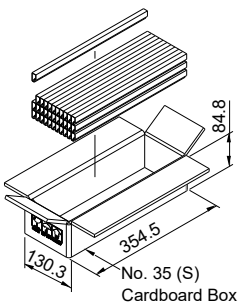
5152PCS
(184 PVC Tube)
Double Box Packaging



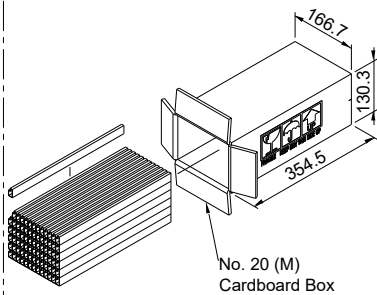
1-2. 0.46x0.30x0.40 Inch (EC1TA2XN)



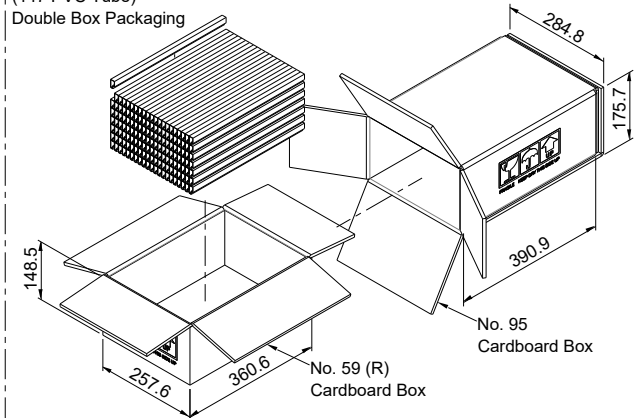
858PCS
(33 PVC Tube)



2028PCS
(78 PVC Tube)



3822PCS
(147 PVC Tube)
Double Box Packaging

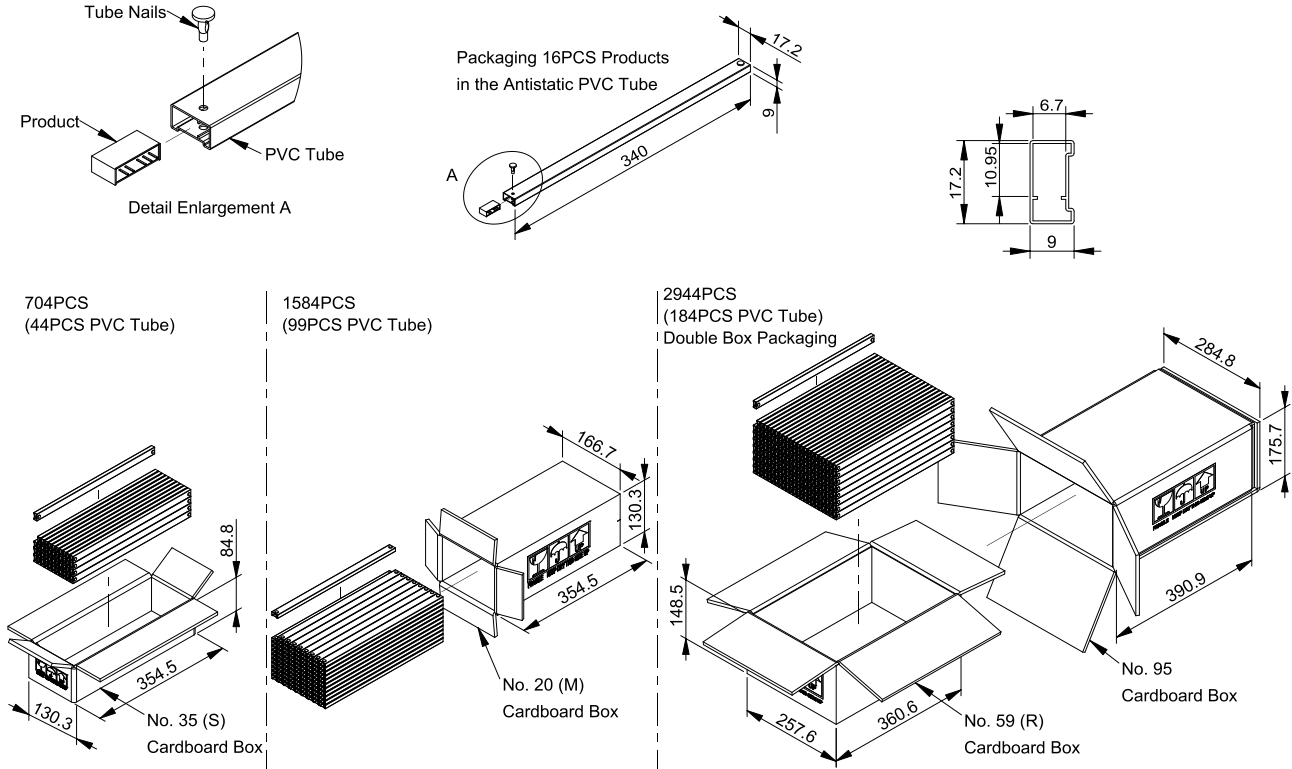




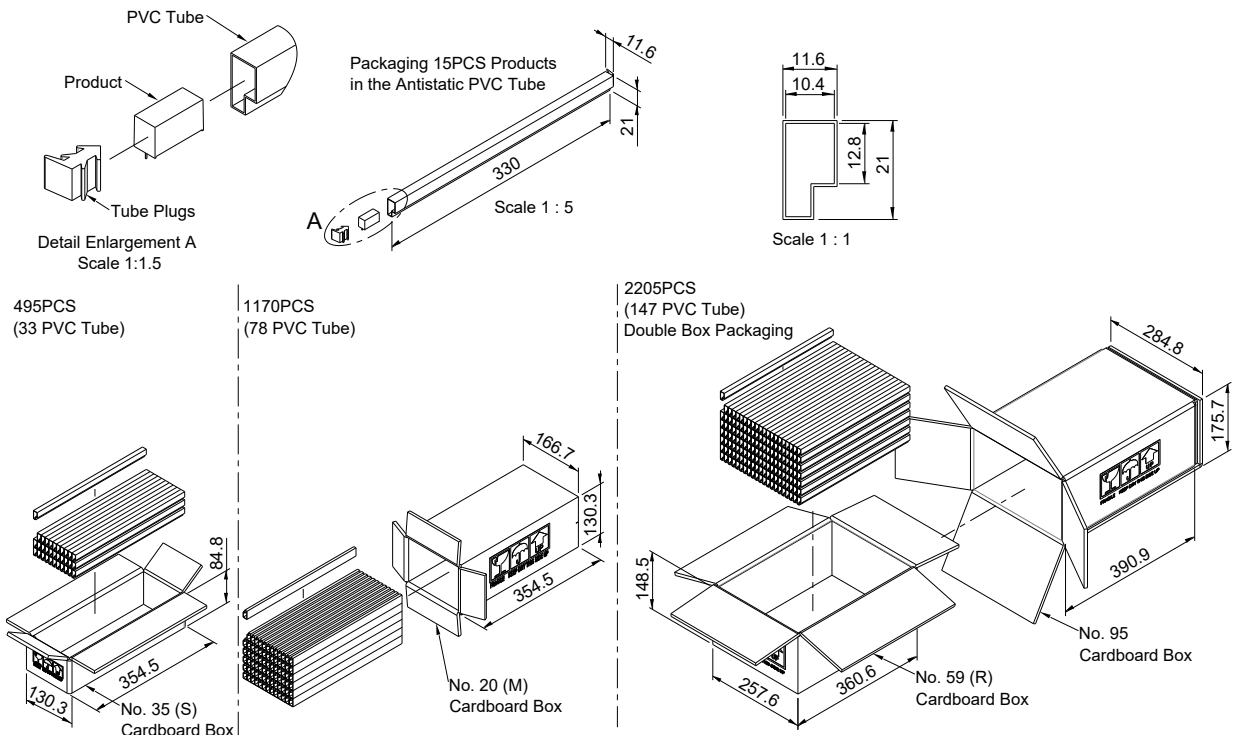
LOW POWER 1-75W DC-DC CONVERTER Packaging Information

2. Package SIP7

2-1. 0.77x0.24x0.40 Inch (EC1SA0XN/1XN)



2-2. 0.77x0.28x0.40 Inch (EC1SA2XN/2SAN/2SANH)

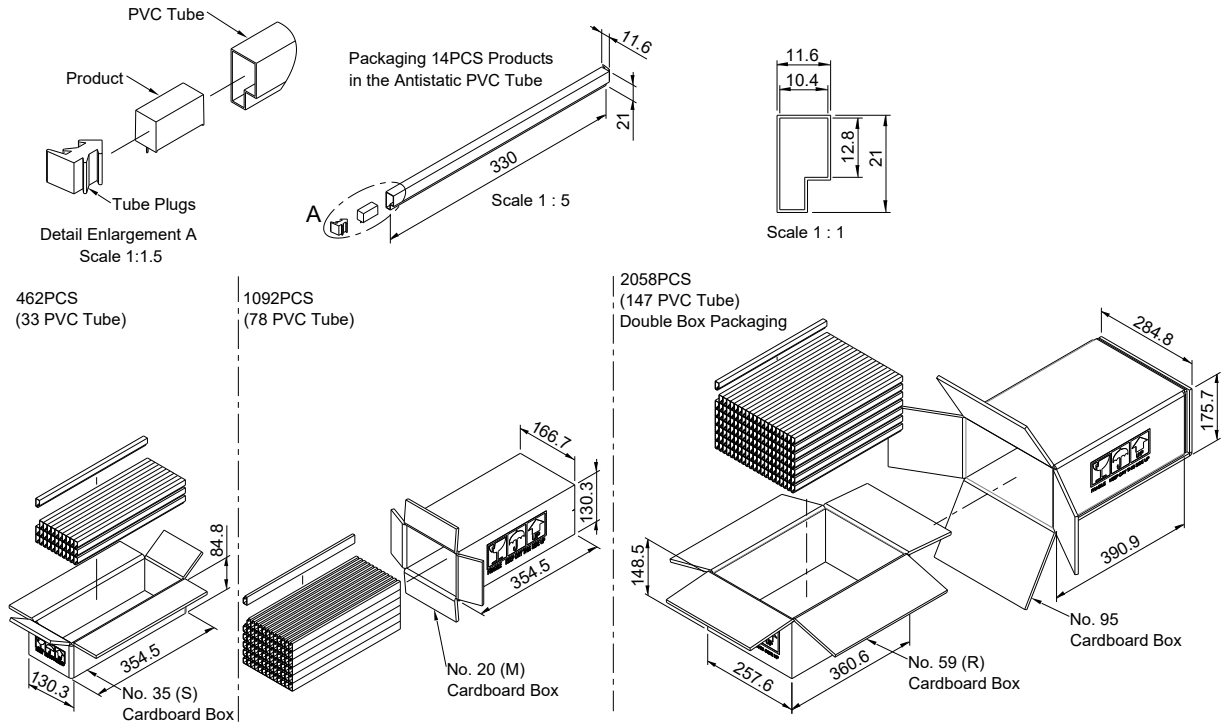




LOW POWER 1-75W DC-DC CONVERTER Packaging Information

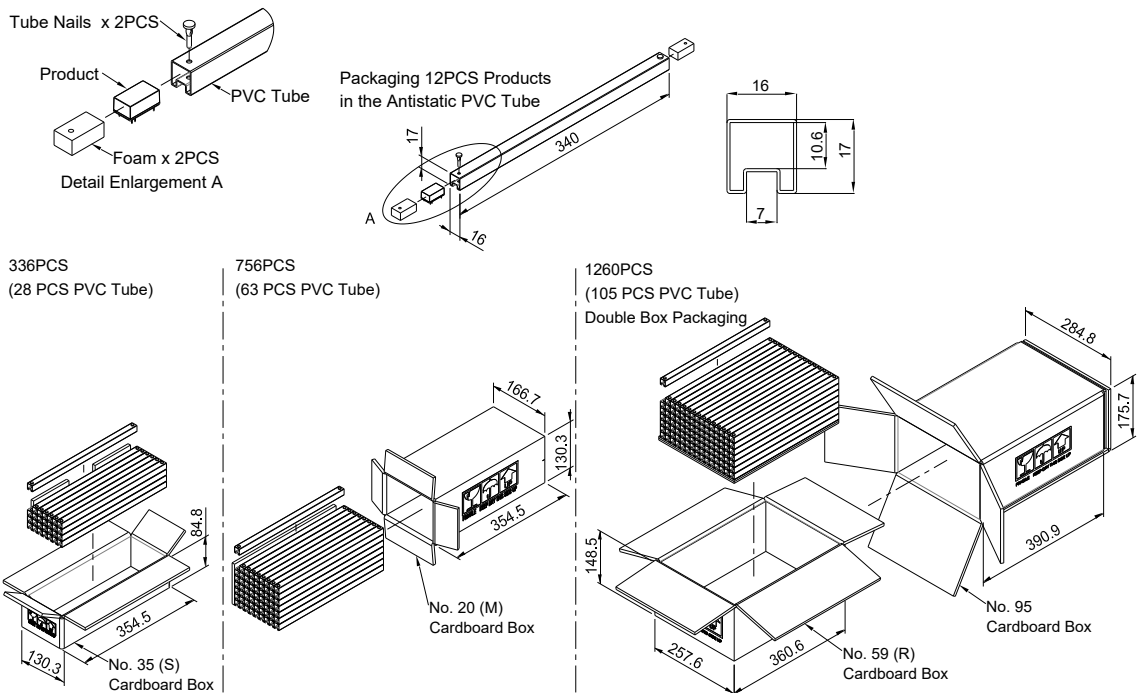
3. Package SIP8

3-1. 0.86x0.36x0.44 (EC2SA/3SA/3SAW/4SAW/2SAW8/3SAW8/4SAW8) & 0.87x0.37x0.47 Inch (EC5SAW)



4. Package DIP16

4-1. 0.95x0.54x0.39 Inch (EC5DAW/4DAW)



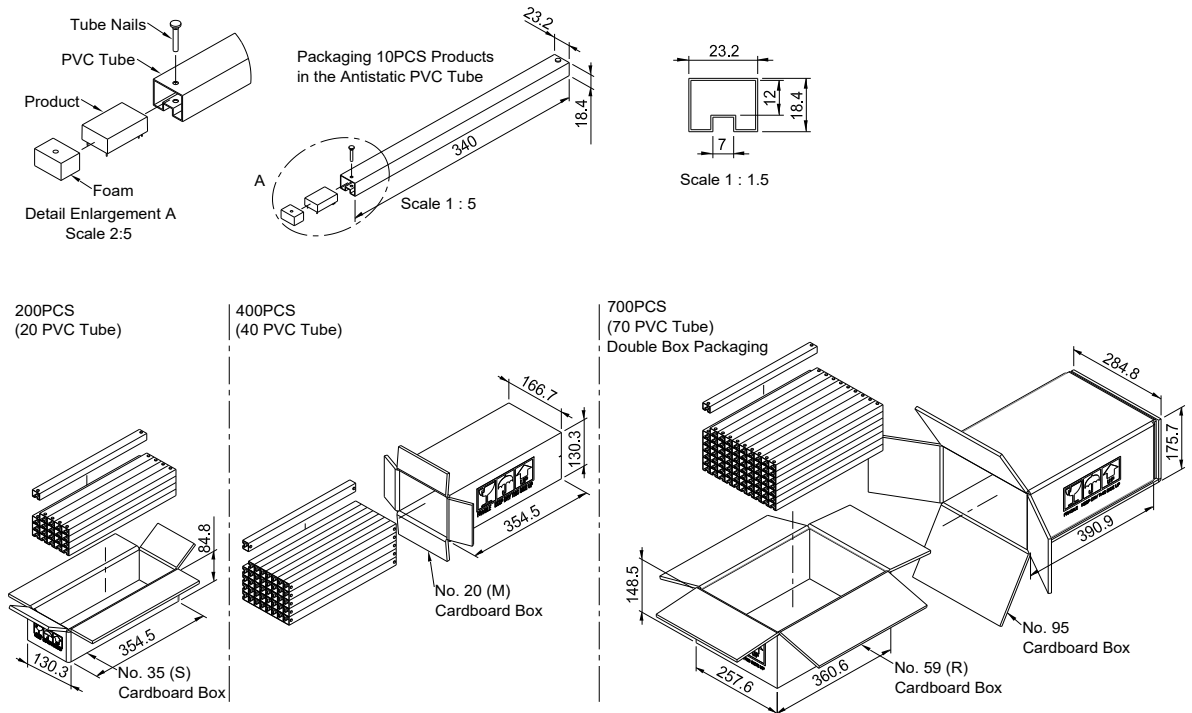


LOW POWER 1-75W DC-DC CONVERTER Packaging Information

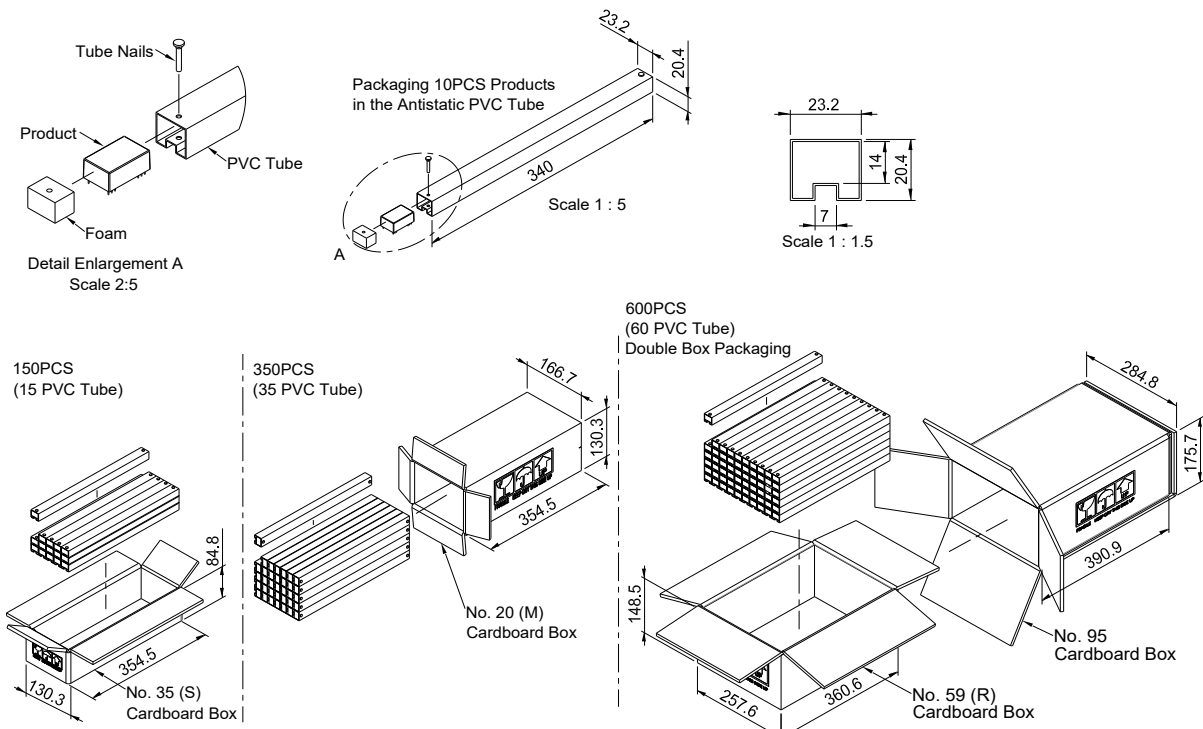
5. Package DIP24

5-1. 1.25x0.80x0.40 Inch

(EC2A/3A/3AE/3A-E/3AW/4A/4A-E/4AWEC4AW-H6/5A/6A/6AW/7A/8AW/7AW/3AW8/4AW8)



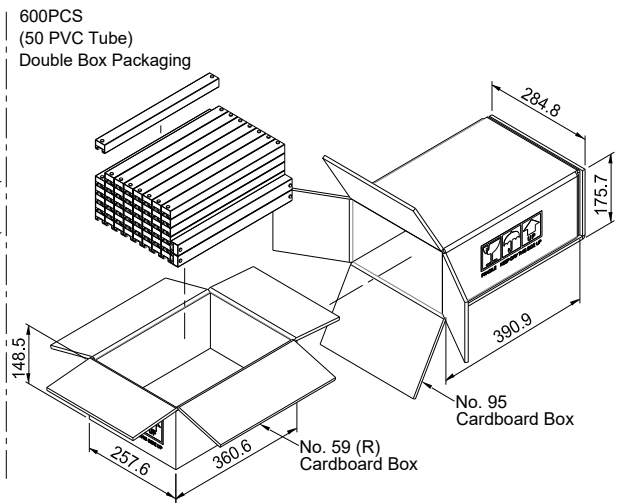
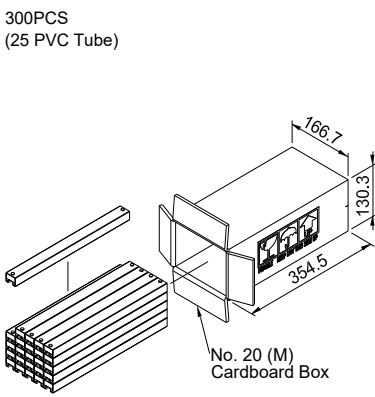
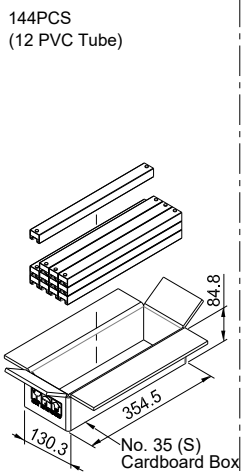
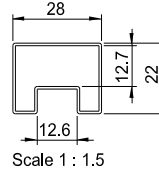
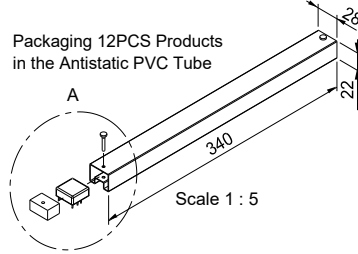
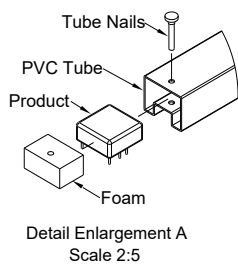
5-2. 1.25x0.80x0.50 Inch (EC3AB/4AB/6AW-110/7AW18)





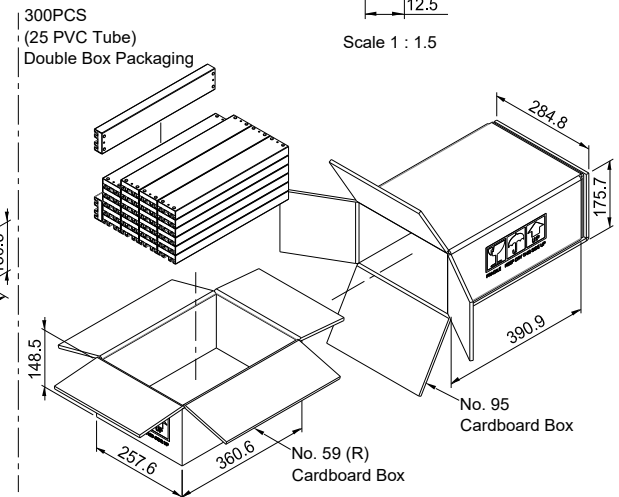
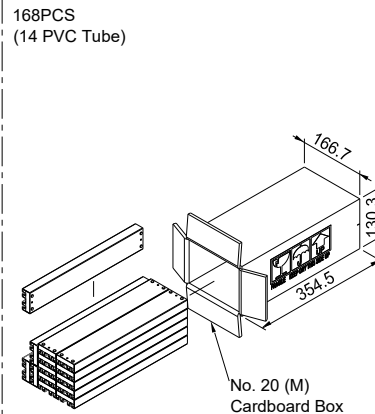
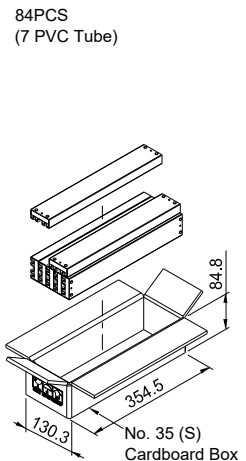
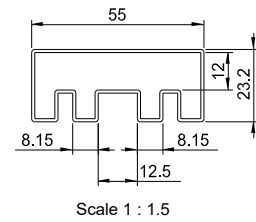
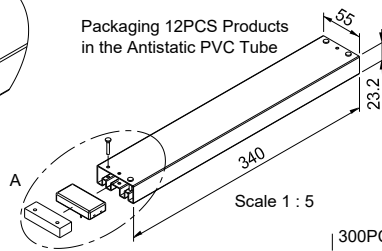
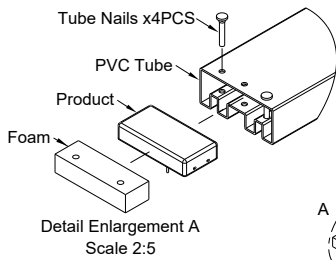
LOW POWER 1-75W DC-DC CONVERTER Packaging Information

6. Package 1"x1" (EC2SB/2SBW/3SB/3SBW/4SBW/5SBW/2SBW-H)



7. Package 2"x1"

(EC3B/3BB/4BE/4BW/4BU/5BE/5BW/5BU/7B/7BWE/7BW-110/9BW/7BW18)

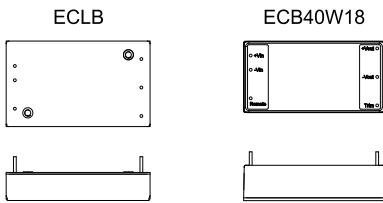
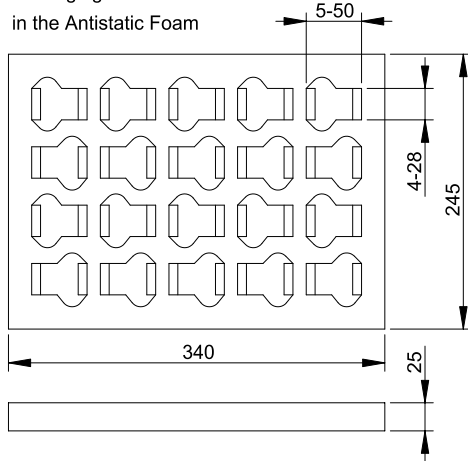




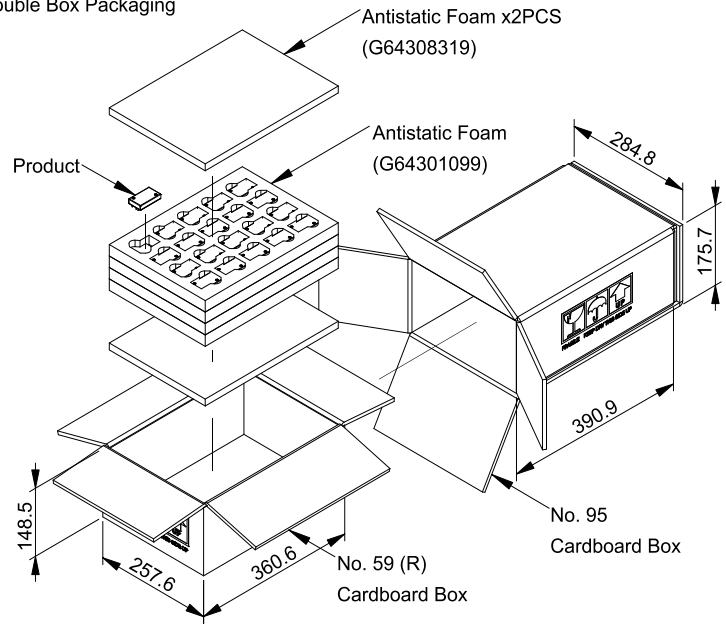
LOW POWER 1-75W DC-DC CONVERTER Packaging Information

8. Package 2.05"x1.2" (ECLB40W/40W-110/60/60W/75W/ECB40W18)

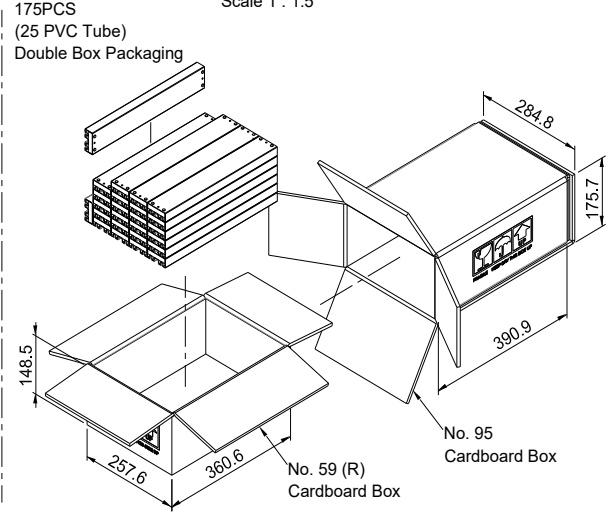
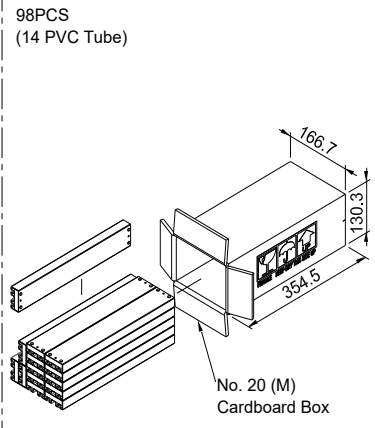
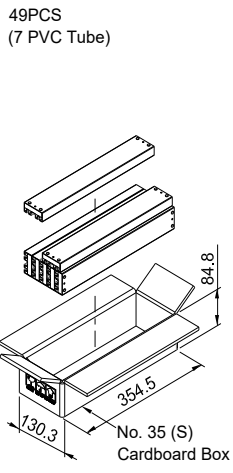
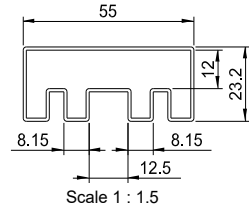
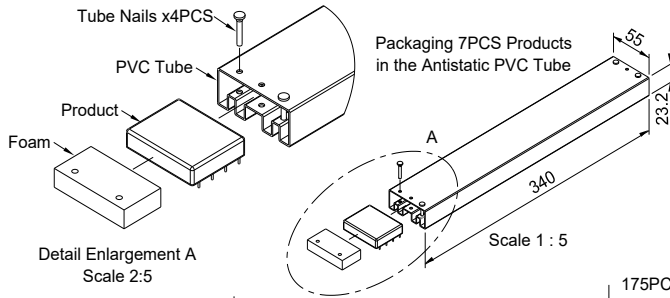
Packaging 20PCS Products
in the Antistatic Foam



80PCS
(4PCS Antistatic Foam)
Double Box Packaging



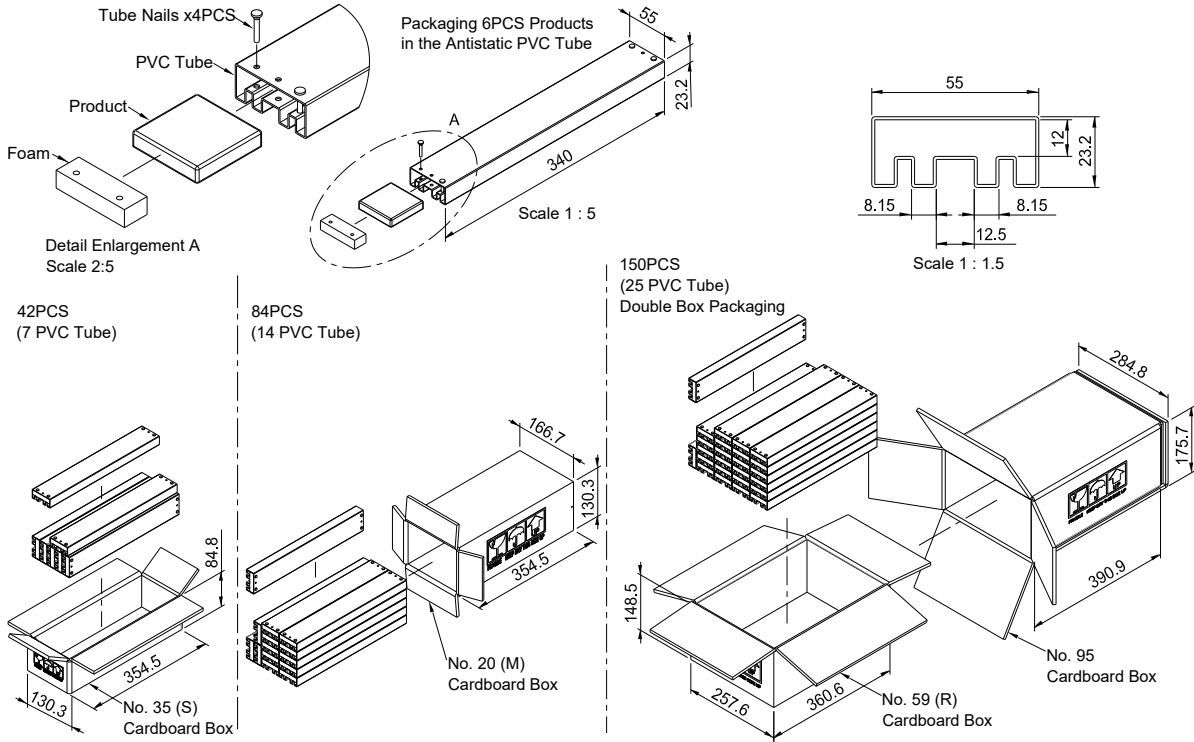
9. Package 2"x1.6" (EC1SC/3SCW)



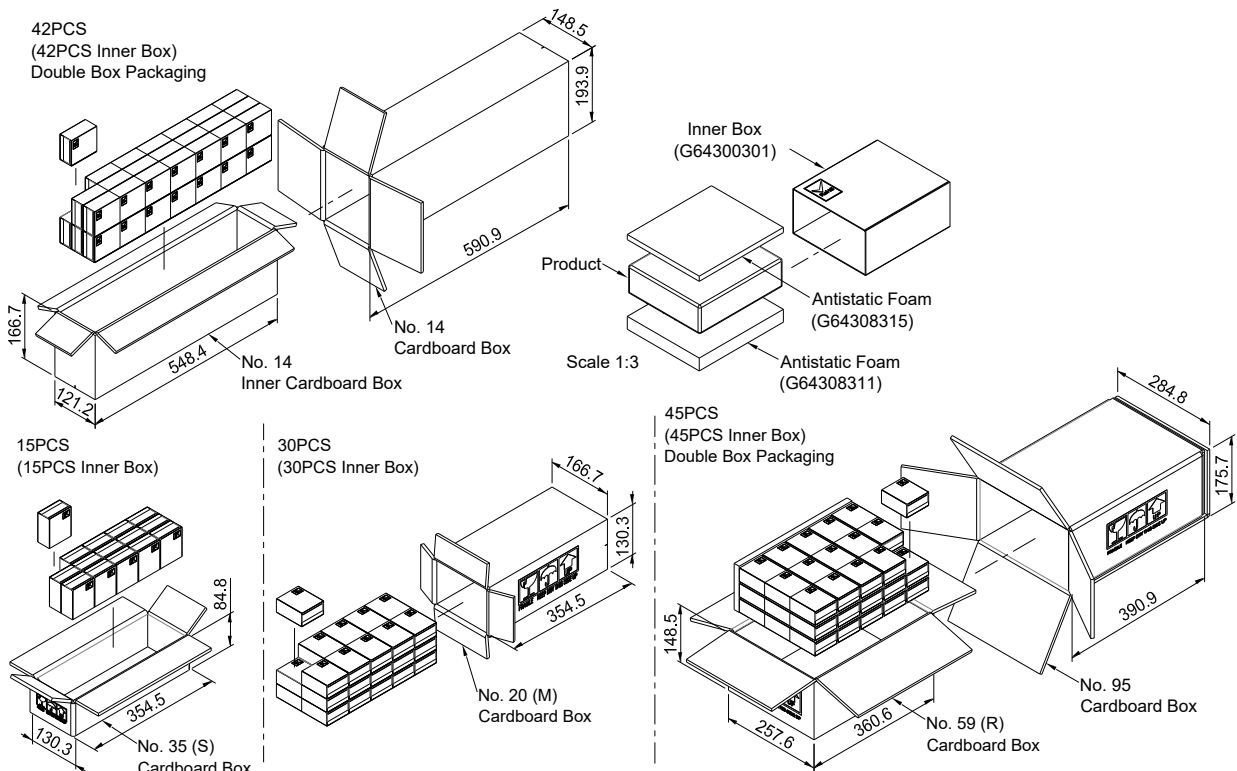


LOW POWER 1-75W DC-DC CONVERTER Packaging Information

10. Package 2"x2" (EC3C/3CB/5C/6C/7C)



11. Package 2.56"x3" (EC6E)

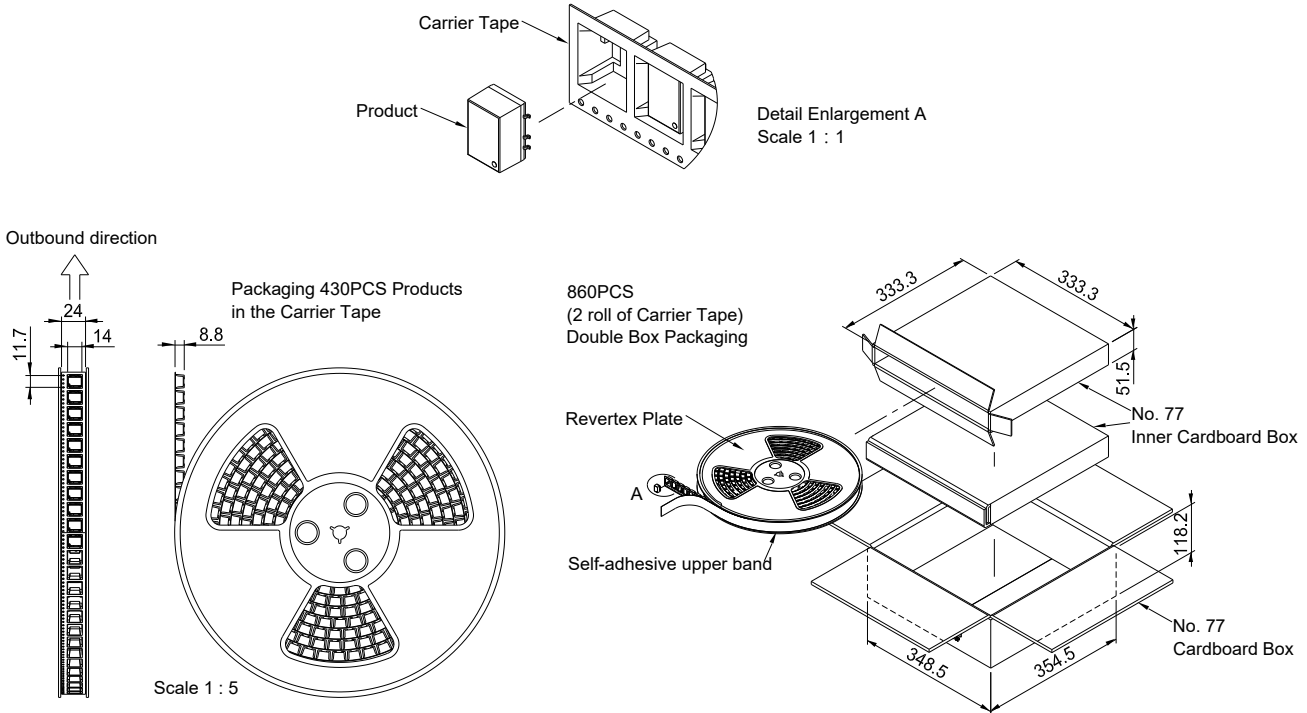




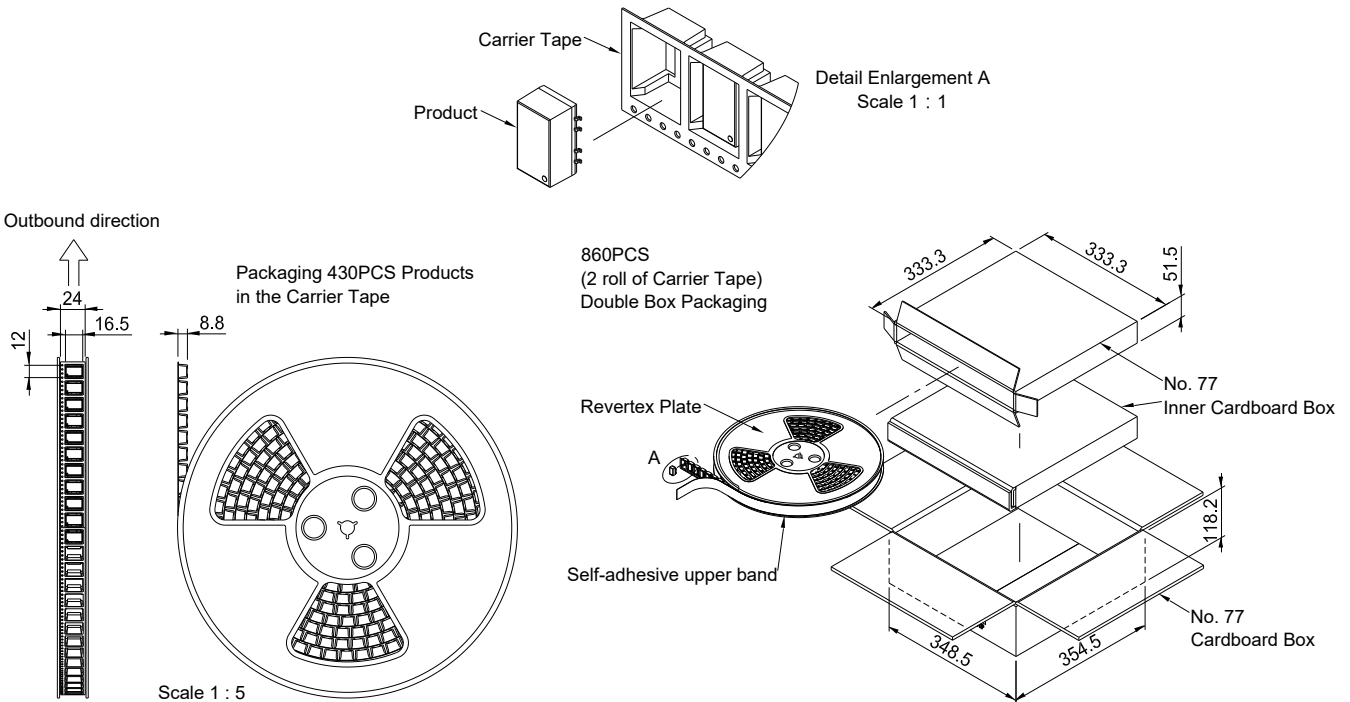
LOW POWER 1-75W DC-DC CONVERTER Packaging Information

12. Package SMD

12-1. 0.54x0.36x0.29 Inch (EC1SA0XNS/1XNS Single)



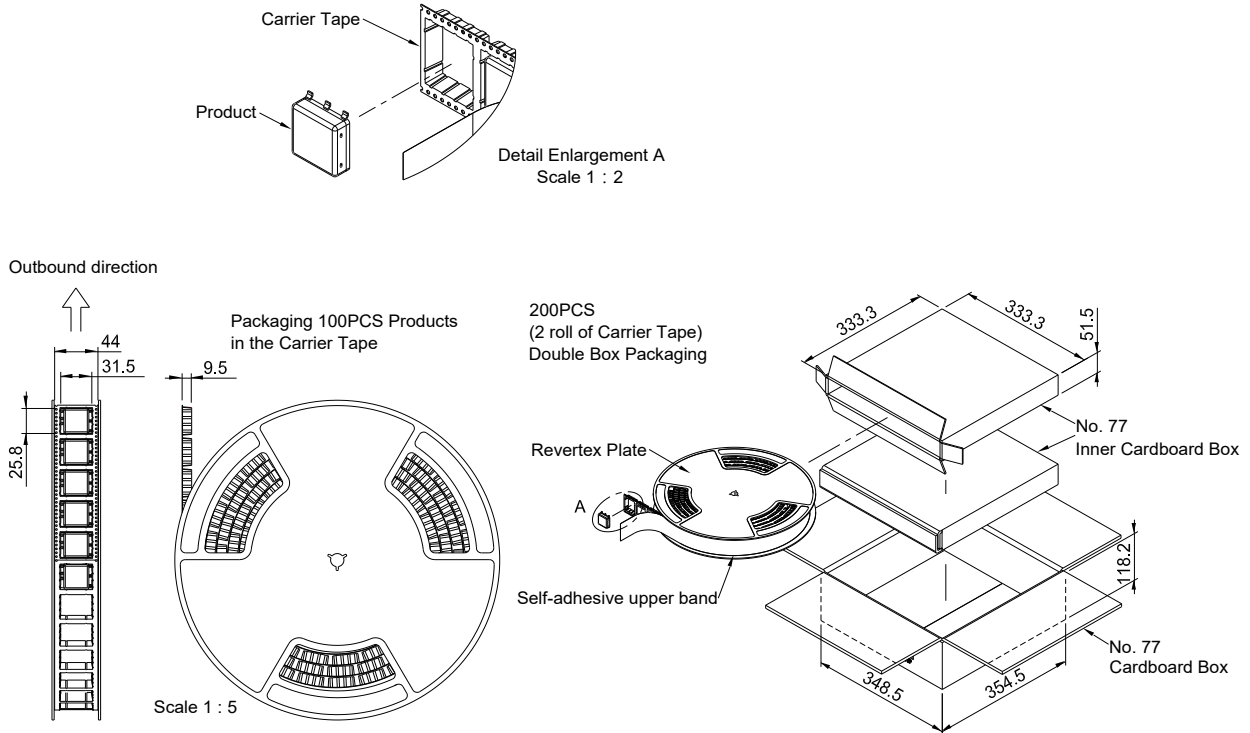
12-2. 0.64x0.36x0.29 Inch (EC1SA0XNS/1XNS Dual)





LOW POWER 1-75W DC-DC CONVERTER Packaging Information

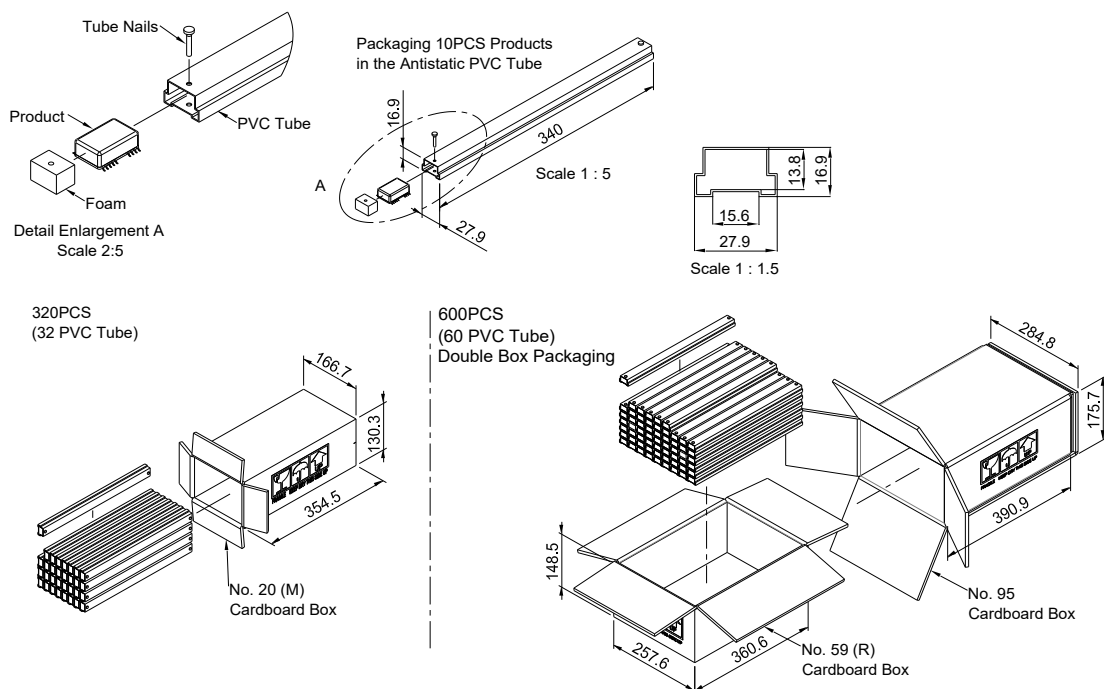
12-3. 1.00x1.00x0.36 Inch (EC2SBXX-XXS/EC3SBXX-XXS)



13. Package SMD24

13-1. 1.25x0.80x0.45 (EC2A/3A/3AE//3AW/4A//4AW/5A/6A/6AW/7AXX(MS/HMS))

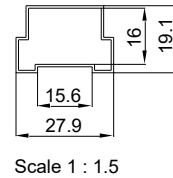
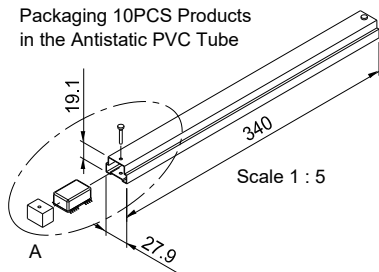
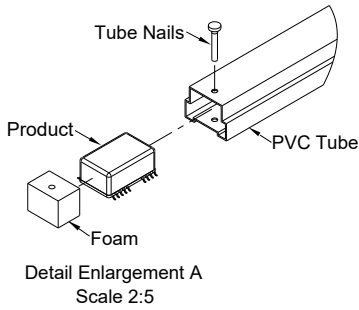
1.25x0.80x0.41 Inch (EC3A-E/EC4A-E(S/HS/MS/HMS))



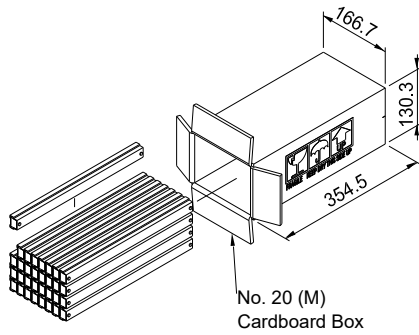


LOW POWER 1-75W DC-DC CONVERTER Packaging Information

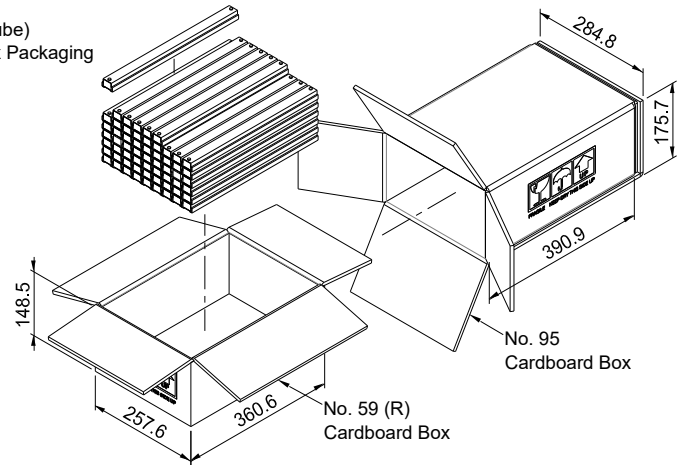
13-2. 1.25x0.80x0.55 Inch (EC3AB/4ABXX(MS/HMS))



320PCS
(32 PVC Tube)



600PCS
(60 PVC Tube)
Double Box Packaging

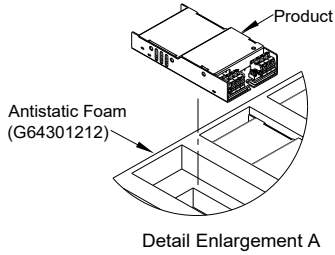




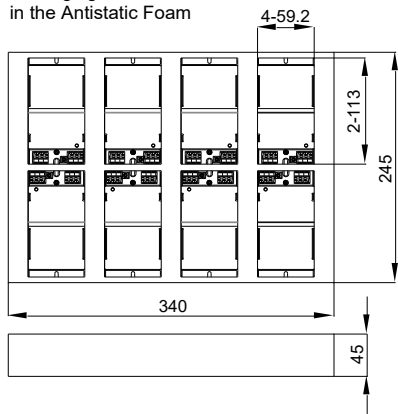
LOW POWER 1-75W DC-DC CONVERTER Packaging Information

14. Package Enclosed Chassis Mount/DIN Rail

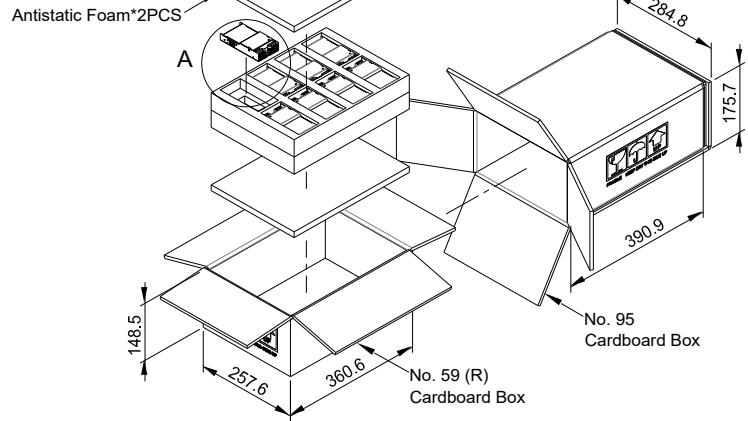
14-1. 4.45x2.33x0.85 & 4.45x2.33x1.43 Inch (EC7BW18-72 ECRT/EDRT)



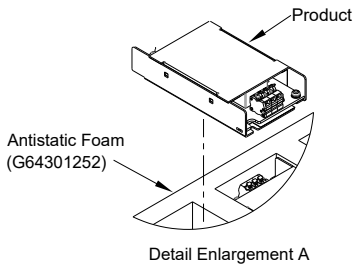
Packaging 8PCS Products in the Antistatic Foam



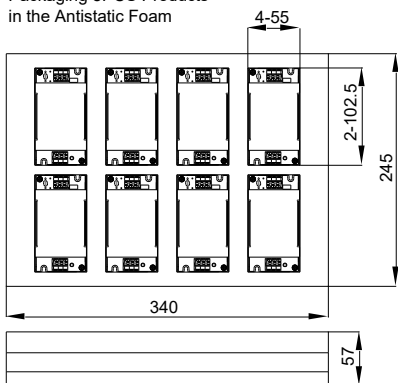
16PCS (2 Antistatic Foam) Double Box Packaging



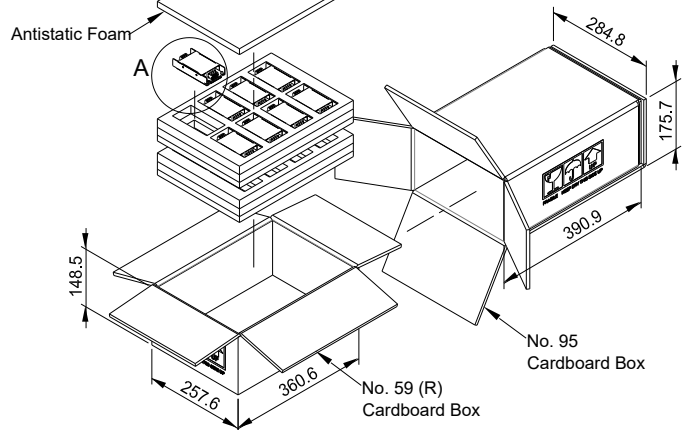
14-2. 4.00x2.14x0.80 & 4.00x2.14x1.38 Inch (EC7AW18-72 ECRT/EDRT)



Packaging 8PCS Products in the Antistatic Foam



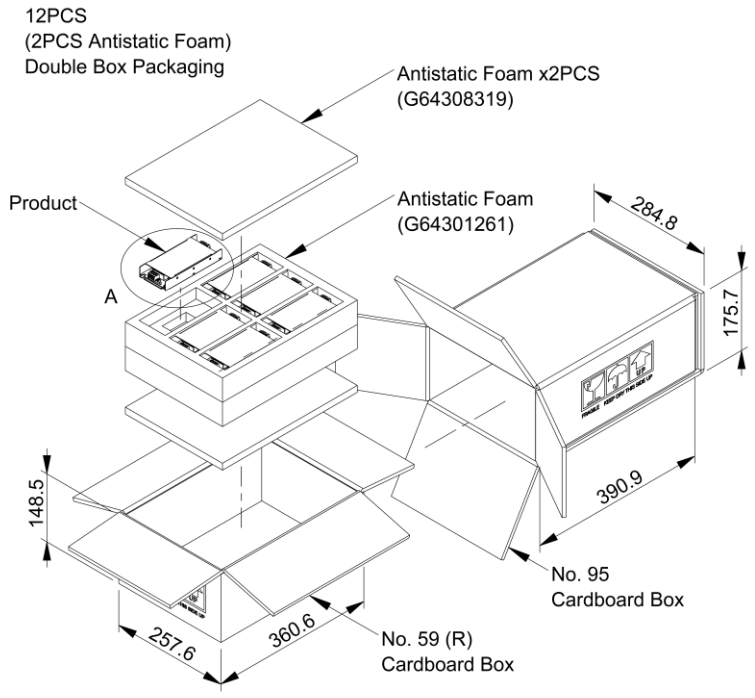
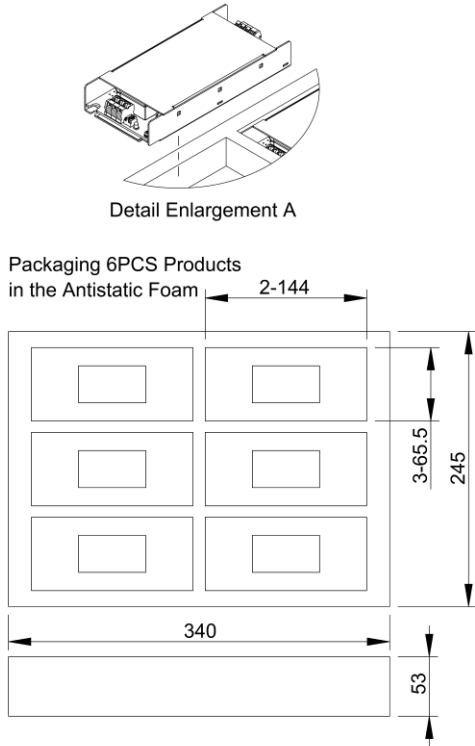
16PCS (2 Antistatic Foam) Double Box Packaging



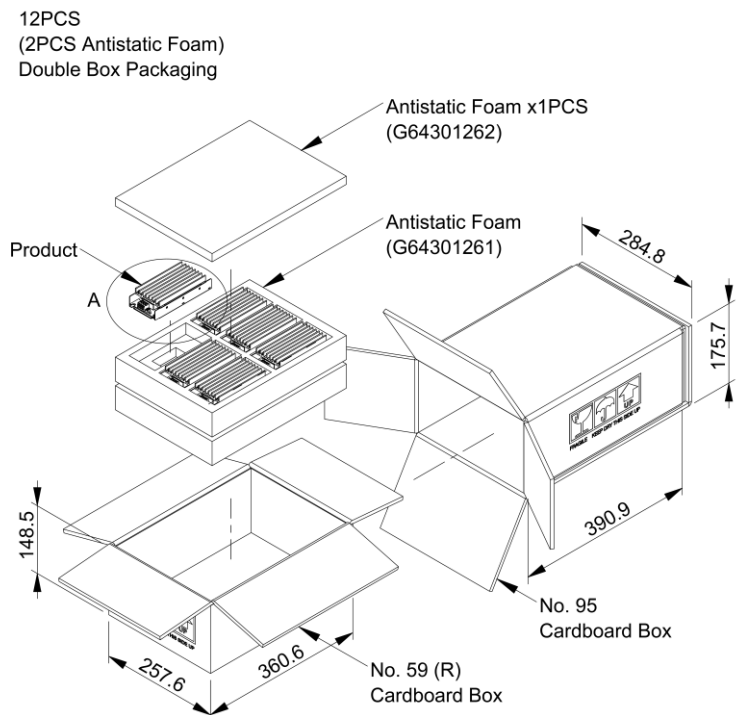
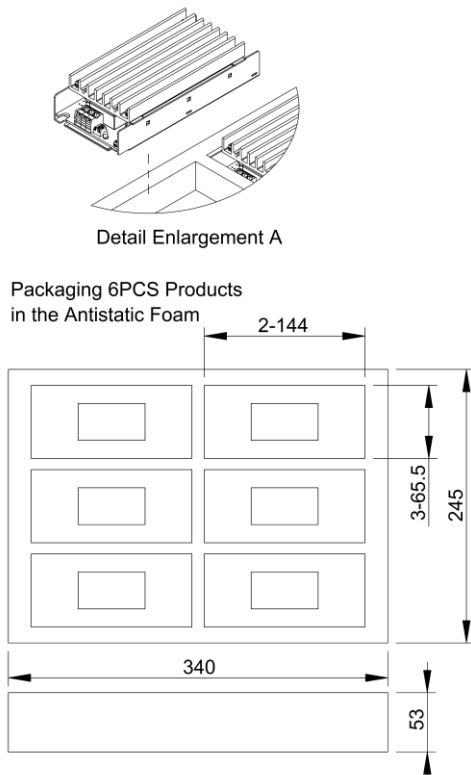


LOW POWER 1-75W DC-DC CONVERTER Packaging Information

14-3. 5.63x2.56x0.87 & 5.63x2.56x1.54 Inch (ECB40W18 ECRT/EDRT)



14-4. 5.63x2.56x1.42 & 5.63x2.56x2.05 Inch (ECB40W18 ECRT/EDRT+FBL127)

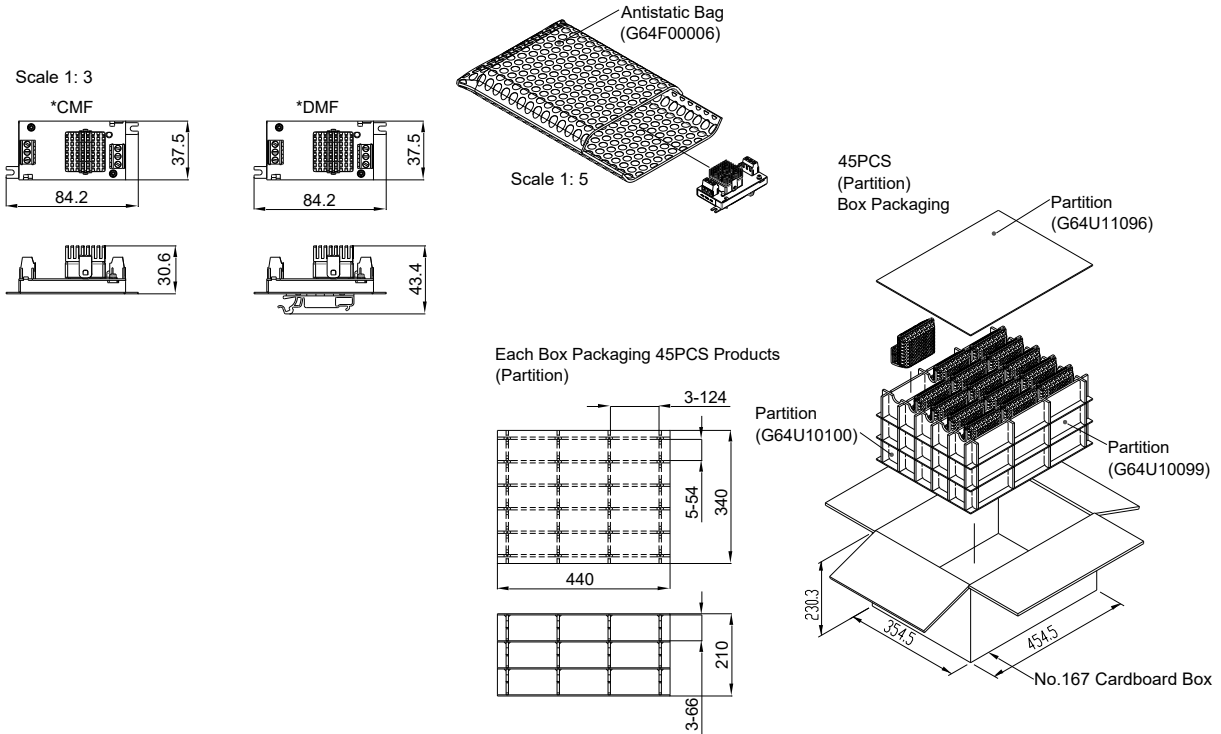




LOW POWER 1-75W DC-DC CONVERTER Packaging Information

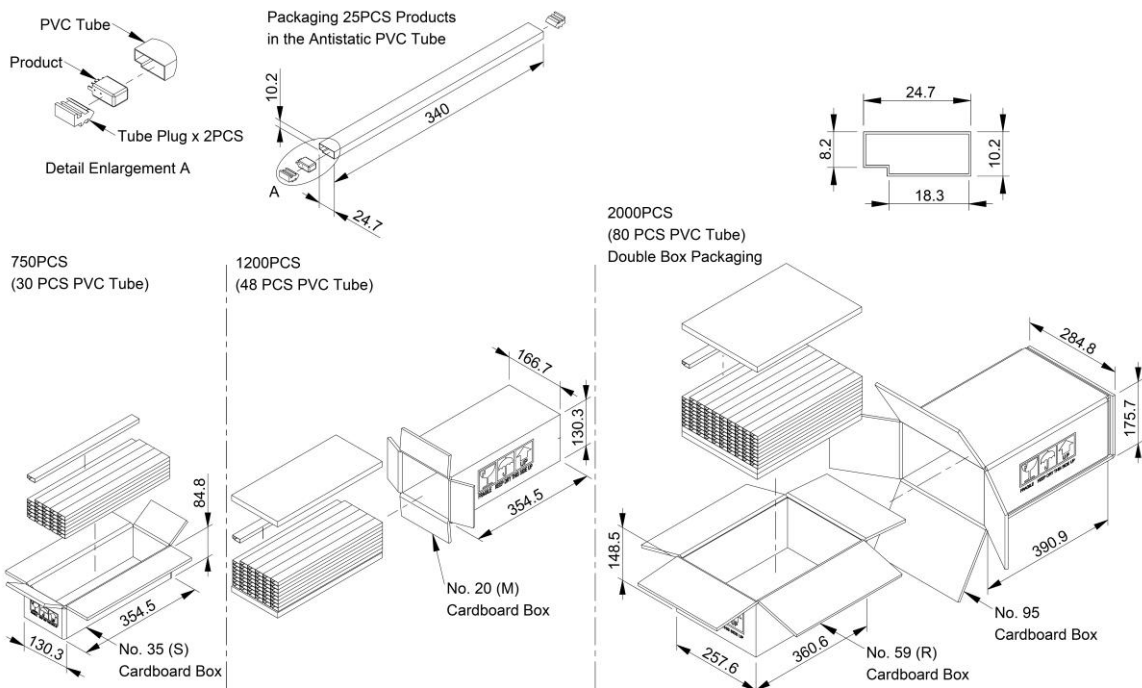
15. Package Chassis Mount/DIN Rail

15-1. 3.04x1.48x1.20 (EC5SBW CMF) & 3.04x1.48x1.71 Inch (EC5SBW DMF)



16. Package SIP3

16-1. 0.48x0.34x0.69 Inch (NCS01W8)

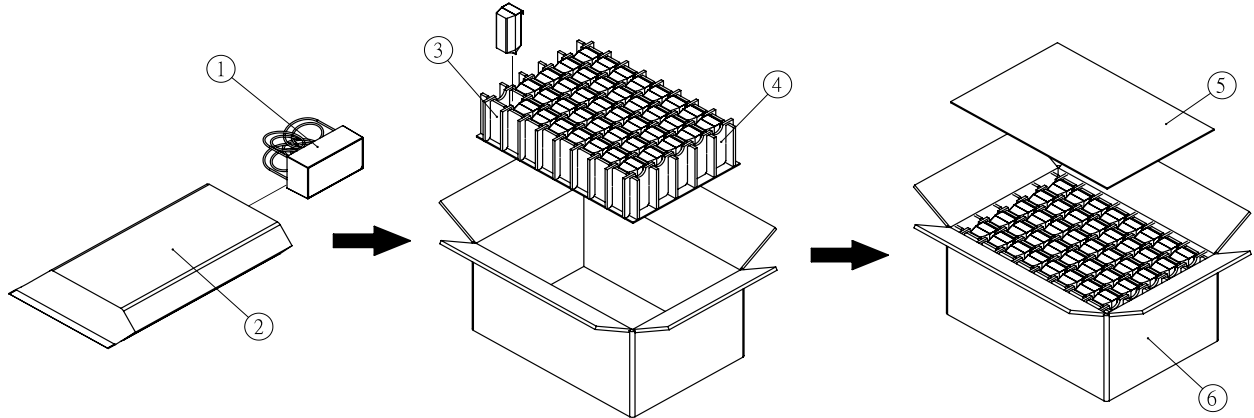




LOW POWER 1-75W
DC-DC CONVERTER
Packaging Information

17. Package 3.10"x1.60"x1.134"

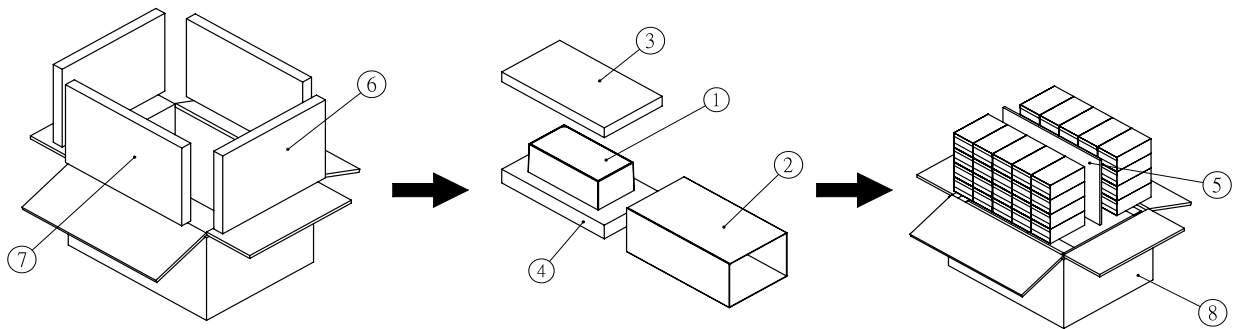
17-1 HFM12-1500



ITEM	PART NO.	NAME	OUTSIDE DIM(mm)	PCS
1	-	HFM12-1500 Product	78.78x40.68x28.8	80
2	G64D15057	Plastic Bag	245x155x0.08	80
3	G64I10039	Partition	440x100x6	12
4	G64I10040	Partition	305x100x6	18
5	G64I11041	Partition	440x300x3	3
6	G64I12340	No.67 Cardboard Box	454.5x318.2x230.3	1

Each Box Packaging 80 PCS Products
 Gross weight Ref. 9.5 Kg

17-2 HFM12-1500P



ITEM	PART NO.	NAME	OUTSIDE DIM(mm)	PCS
1	-	HFM12-1500-P Product	78.78x40.68x28.8	40
2	G64304161	Inner Box	115x65x45	40
3	G64308312	Antistatic Foam	115x65x10	40
4	G64301058	Antistatic Foam	115x65x14	40
5	G64U10075	Partition	326x200x6	1
6	G64301115	Antistatic Foam	288x200x25	2
7	G64301114	Antistatic Foam	326x200x25	2
8	G64114347	No.149 Cardboard Box	388x300x220	1

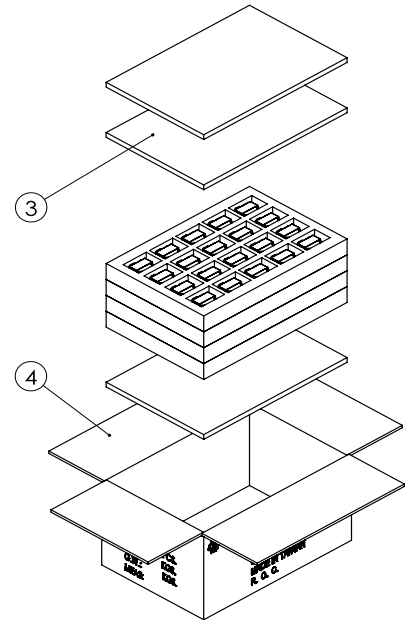
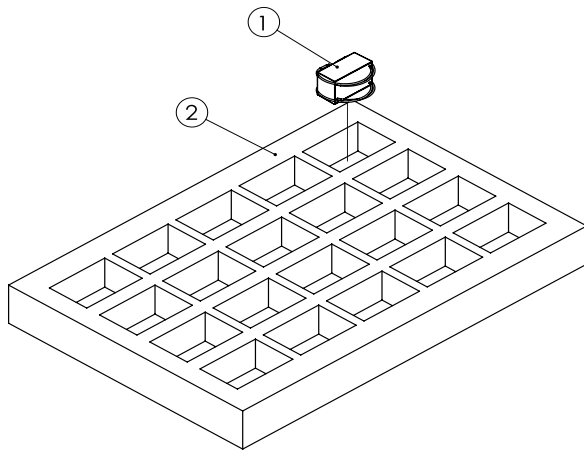
Each Box Packaging 40 PCS Products
 Gross weight Ref. 6.2 Kg



LOW POWER 1-75W DC-DC CONVERTER Packaging Information

18. Package 2.09"x1.19"x0.976"

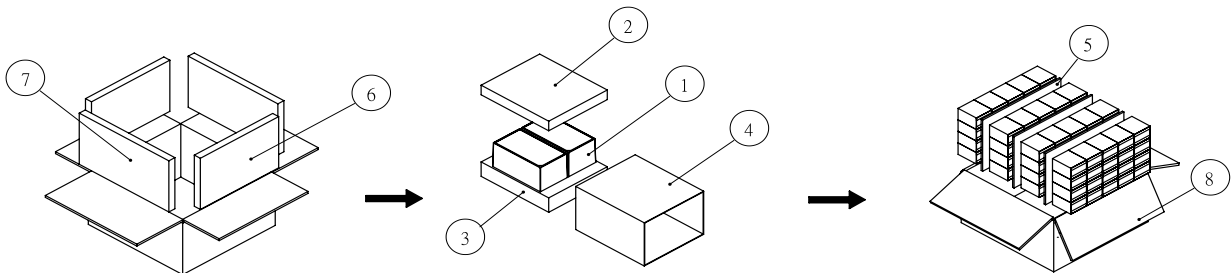
18-1 HFM14-1500



ITEM	PART NO.	NAME	OUTSIDE DIM(mm)	PCS
1	-	HFM14-1500 Product	53.1x30.3x24.8	80
2	G64301226	Antistatic Foma	485x330x50	4
3	G64301208	Antistatic Foma	485x330x15	3
4	G64100099	No.49 Cardboard Box	500x345x260	1

Each Box Packaging 80 PCS Products
Gross weight Ref. 5.7 Kg

18-2 HFM14-1500P



ITEM	PART NO.	NAME	OUTSIDE DIM(mm)	PCS
1	-	HFM14-1500-P Product	53.1x30.3x24.8	160
2	G64308311	Antistatic Foma	76x65x10	80
3	G64301177	Antistatic Foma	76x65x15	80
4	G64304175	Inner Box	76x66x45	80
5	G64U10075	Partition	326x200x6	2
6	G64301114	Antistatic Foma	326x200x25	1
7	G64301113	Antistatic Foma	373x200x25	1
8	G64114346	No.148 Cardboard Box	393x385x220	1

Each Box Packaging 160 PCS Products
Gross weight Ref. 10.5 Kg